



MICROCHIP

**MCP3901 and PIC18F65J90
Energy Meter Reference Design
User's Guide**

Note the following details of the code protection feature on Microchip devices:

- Microchip products meet the specification contained in their particular Microchip Data Sheet.
- Microchip believes that its family of products is one of the most secure families of its kind on the market today, when used in the intended manner and under normal conditions.
- There are dishonest and possibly illegal methods used to breach the code protection feature. All of these methods, to our knowledge, require using the Microchip products in a manner outside the operating specifications contained in Microchip's Data Sheets. Most likely, the person doing so is engaged in theft of intellectual property.
- Microchip is willing to work with the customer who is concerned about the integrity of their code.
- Neither Microchip nor any other semiconductor manufacturer can guarantee the security of their code. Code protection does not mean that we are guaranteeing the product as "unbreakable."

Code protection is constantly evolving. We at Microchip are committed to continuously improving the code protection features of our products. Attempts to break Microchip's code protection feature may be a violation of the Digital Millennium Copyright Act. If such acts allow unauthorized access to your software or other copyrighted work, you may have a right to sue for relief under that Act.

Information contained in this publication regarding device applications and the like is provided only for your convenience and may be superseded by updates. It is your responsibility to ensure that your application meets with your specifications. MICROCHIP MAKES NO REPRESENTATIONS OR WARRANTIES OF ANY KIND WHETHER EXPRESS OR IMPLIED, WRITTEN OR ORAL, STATUTORY OR OTHERWISE, RELATED TO THE INFORMATION, INCLUDING BUT NOT LIMITED TO ITS CONDITION, QUALITY, PERFORMANCE, MERCHANTABILITY OR FITNESS FOR PURPOSE. Microchip disclaims all liability arising from this information and its use. Use of Microchip devices in life support and/or safety applications is entirely at the buyer's risk, and the buyer agrees to defend, indemnify and hold harmless Microchip from any and all damages, claims, suits, or expenses resulting from such use. No licenses are conveyed, implicitly or otherwise, under any Microchip intellectual property rights.

Trademarks

The Microchip name and logo, the Microchip logo, dsPIC, KEELOQ, KEELOQ logo, MPLAB, PIC, PICmicro, PICSTART, PIC³² logo, rfPIC and UNI/O are registered trademarks of Microchip Technology Incorporated in the U.S.A. and other countries.


FilterLab, Hampshire, HI-TECH C, Linear Active Thermistor, MXDEV, MXLAB, SEEVAL and The Embedded Control Solutions Company are registered trademarks of Microchip Technology Incorporated in the U.S.A.

Analog-for-the-Digital Age, Application Maestro, chipKIT, chipKIT logo, CodeGuard, dsPICDEM, dsPICDEM.net, dsPICworks, dsSPEAK, ECAN, ECONOMONITOR, FanSense, HI-TIDE, In-Circuit Serial Programming, ICSP, Mindi, MiWi, MPASM, MPLAB Certified logo, MPLIB, MPLINK, mTouch, Omniscient Code Generation, PICC, PICC-18, PICDEM, PICDEM.net, PICkit, PICtail, REAL ICE, rfLAB, Select Mode, Total Endurance, TSHARC, UniWinDriver, WiperLock and ZENA are trademarks of Microchip Technology Incorporated in the U.S.A. and other countries.

SQTP is a service mark of Microchip Technology Incorporated in the U.S.A.

All other trademarks mentioned herein are property of their respective companies.

© 2012, Microchip Technology Incorporated, Printed in the U.S.A., All Rights Reserved.

 Printed on recycled paper.

ISBN: 978-1-61341-960-1

Microchip received ISO/TS-16949:2009 certification for its worldwide headquarters, design and wafer fabrication facilities in Chandler and Tempe, Arizona; Gresham, Oregon and design centers in California and India. The Company's quality system processes and procedures are for its PIC[®] MCUs and dsPIC[®] DSCs, KEELOQ[®] code hopping devices, Serial EEPROMs, microperipherals, nonvolatile memory and analog products. In addition, Microchip's quality system for the design and manufacture of development systems is ISO 9001:2000 certified.

QUALITY MANAGEMENT SYSTEM
CERTIFIED BY DNV
== ISO/TS 16949:2009 ==

Table of Contents

Preface	7
Introduction.....	7
Document Layout	8
Conventions Used in this Guide	9
Recommended Reading.....	10
The Microchip Web Site	10
Customer Support	10
Document Revision History	10
 Chapter 1. Product Overview	
1.1 Introduction	11
1.2 What the MCP3901 and PIC18F65J90 Energy Meter Reference Design Kit Includes	12
1.3 Getting Started	12
 Chapter 2. Hardware	
2.1 Overview	13
2.2 Input and Analog Front End	16
 Chapter 3. Calculation Engine and Register Description	
3.1 Calculation Engine Signal Flow Summary	17
3.2 Register List	18
3.3 MODE	19
3.4 STATUS	20
3.5 CAL_CONTROL	20
3.6 LINE_CYC	21
3.7 LINE_CYC_CNT	21
3.8 RAW2_I_RMS	21
3.9 RAW_I_RMS	22
3.10 I_RMS	22
3.11 RAW2_V_RMS	22
3.12 RAW_V_RMS	22
3.13 V_RMS	22
3.14 LINE_FREQUENCY	23
3.15 RAW_POWER_ACT	23
3.16 POWER_ACT	23
3.17 POWER_APP	23
3.18 RAW_POWER_REACT	24
3.19 POWER_REACT	24

MCP3901 and PIC18F65J90 Energy Meter Reference Design

3.20 PERIOD	24
3.21 ENERGY_ACT	24
3.22 ENERGY_APP	25
3.23 I_ABS_MAX	25
3.24 V_ABS_MAX	25
3.25 ENERGY_REACT	25
3.26 PHASE_COMPENSATION	25
3.27 OFFSET_I_RMS	26
3.28 OFFSET_V_RMS	26
3.29 GAIN_I_RMS	26
3.30 GAIN_V_RMS	26
3.31 OFFSET_POWER_ACT	26
3.32 GAIN_POWER_ACT	27
3.33 OFFSET_POWER_REACT	27
3.34 GAIN_POWER_REACT	27
3.35 GAIN_ENERGY_ACT	27
3.36 GAIN_ENERGY_APP	27
3.37 GAIN_ENERGY_REACT	27
3.38 CF_PULSE_WIDTH	28
3.39 GAIN_DENR_ENERGY_ACT	28
3.40 GAIN_NUMR_ENERGY_ACT	28
3.41 MODE1_DEF	28
3.42 CAL_STATUS	28
3.43 MAXIMUM CURRENT	29
3.44 CALIBRATION_VOLTAGE	29
3.45 CALIBRATION_CURRENT	29
3.46 CALIBRATION_FREQUENCY	29
3.47 METER_CONSTANT	29
3.48 CALIBRATION_LINE_CYCLE	30
3.49 GAIN_DENR_ENERGY_REACT	30
3.50 GAIN_NUMR_ENERGY_REACT	30
3.51 PHASE_COMPENSATION_90	30
3.52 CREEP_THRSHOLD_MINUTE	30
3.53 CREEP_THRSHOLD_SECOND	30

Chapter 4. Meter Protocol and Timings

4.1 Protocol	31
--------------------	----

Appendix A. Schematic and Layouts

A.1 Introduction	33
A.2 Schematics and PCB Layout	33
A.3 Board – ADC Schematic	34
A.4 Board – MCU Schematic	35
A.5 Board – LCD and USB Schematic	36
A.6 Board – Top Silk and Pads	37
A.7 Board – Top Copper	38

A.8 Board – Bottom Copper	39
A.9 Board – Bottom Silk and Pads	40
A.10 Board – Top 3D	41
A.11 Board – Bottom 3D	42
Appendix B. Bill of Materials (BOM)	
Worldwide Sales and Service	46

MCP3901 and PIC18F65J90 Energy Meter Reference Design



MCP3901 AND PIC18F65J90 ENERGY METER REFERENCE DESIGN

Preface

NOTICE TO CUSTOMERS

All documentation becomes dated, and this manual is no exception. Microchip tools and documentation are constantly evolving to meet customer needs, so some actual dialogs and/or tool descriptions may differ from those in this document. Please refer to our web site (www.microchip.com) to obtain the latest documentation available.

Documents are identified with a “DS” number. This number is located on the bottom of each page, in front of the page number. The numbering convention for the DS number is “DSXXXXA”, where “XXXX” is the document number and “A” is the revision level of the document.

For the most up-to-date information on development tools, see the MPLAB® IDE online help. Select the Help menu, and then Topics to open a list of available online help files.

INTRODUCTION

This chapter contains general information that will be useful to know before using the MCP3901 and PIC18F65J90 Energy Meter Reference Design User’s Guide. Items discussed in this chapter include:

- Document Layout
- Conventions Used in this Guide
- Recommended Reading
- The Microchip Web Site
- Customer Support
- Document Revision History

MCP3901 and PIC18F65J90 Energy Meter Reference Design

DOCUMENT LAYOUT

This document describes how to use the MCP3901 and PIC18F65J90 Energy Meter Reference Design as a development tool to emulate and debug firmware on a target board. The manual layout is as follows:

- **Chapter 1. “Product Overview”** – Important information on using the MCP3901 and PIC18F65J90 Energy Meter Reference Design including a Getting Started section that describes wiring the line and load connections.
- **Chapter 2. “Hardware”** – Includes details on the function blocks of the meter including the analog front end design, phase lock loop circuitry, and power supply design.
- **Chapter 3. “Calculation Engine and Register Description”** – This section describes the digital signal flow for all power output quantities such as RMS current, RMS voltage, active power, and apparent power. This section also includes the calibration register’s detail.
- **Chapter 4. “Meter Protocol and Timings”** – This chapter describes the protocol used for accessing the registers, including commands that are used to interface to the meter.
- **Appendix A. “Schematic and Layouts”** – Shows the schematic and layout diagrams.
- **Appendix B. “Bill of Materials (BOM)”** – Lists the parts used to build the MCP3901 and PIC18F65J90 Energy Meter Reference Design.

CONVENTIONS USED IN THIS GUIDE

This manual uses the following documentation conventions:

DOCUMENTATION CONVENTIONS

Description	Represents	Examples
Arial font:		
Italic characters	Referenced books	<i>MPLAB[®] IDE User's Guide</i>
	Emphasized text	...is the <i>only</i> compiler...
Initial caps	A window	the Output window
	A dialog	the Settings dialog
	A menu selection	select Enable Programmer
Quotes	A field name in a window or dialog	"Save project before build"
Underlined, italic text with right angle bracket	A menu path	<u><i>File>Save</i></u>
Bold characters	A dialog button	Click OK
	A tab	Click the Power tab
N'Rnnnn	A number in verilog format, where N is the total number of digits, R is the radix and n is a digit.	4'b0010, 2'hF1
Text in angle brackets < >	A key on the keyboard	Press <Enter>, <F1>
Courier New font:		
Plain Courier New	Sample source code	#define START
	Filenames	autoexec.bat
	File paths	c:\mcc18\h
	Keywords	_asm, _endasm, static
	Command-line options	-Opa+, -Opa-
	Bit values	0, 1
	Constants	0xFF, 'A'
Italic Courier New	A variable argument	<i>file.o</i> , where <i>file</i> can be any valid filename
Square brackets []	Optional arguments	mcc18 [options] <i>file</i> [options]
Curly brackets and pipe character: { }	Choice of mutually exclusive arguments; an OR selection	errorlevel {0 1}
Ellipses...	Replaces repeated text	var_name [, var_name...]
	Represents code supplied by user	void main (void) { ... }

MCP3901 and PIC18F65J90 Energy Meter Reference Design

RECOMMENDED READING

This user's guide describes how to use the MCP3901 and PIC18F65J90 Energy Meter Reference Design. Other useful documents are listed below. The following Microchip documents are available and recommended as supplemental reference resources.

MCP3901 Data Sheet – “Two Channel Analog Front End” (DS22192)

This data sheet provides detailed information regarding the MCP3901 device.

AN994 – “IEC Compliant Active-Energy Meter Design Using the MCP3905A/06A” (DS00994)

This application note documents the design decisions associated with using the MCP390X devices for energy meter design and IEC compliance.

THE MICROCHIP WEB SITE

Microchip provides online support via our web site at www.microchip.com. This web site is used as a means to make files and information easily available to customers. Accessible by using your favorite Internet browser, the web site contains the following information:

- **Product Support** – Data sheets and errata, application notes and sample programs, design resources, user's guides and hardware support documents, latest software releases and archived software
- **General Technical Support** – Frequently Asked Questions (FAQs), technical support requests, online discussion groups, Microchip consultant program member listing
- **Business of Microchip** – Product selector and ordering guides, latest Microchip press releases, listing of seminars and events, listings of Microchip sales offices, distributors and factory representatives

CUSTOMER SUPPORT

Users of Microchip products can receive assistance through several channels:

- Distributor or Representative
- Local Sales Office
- Field Application Engineer (FAE)
- Technical Support

Customers should contact their distributor, representative or field application engineer (FAE) for support. Local sales offices are also available to help customers. A listing of sales offices and locations is included in the back of this document.

Technical support is available through the web site at:

<http://www.microchip.com/support>.

DOCUMENT REVISION HISTORY

Revision A (January 2012)

- Initial Release of this Document.

Chapter 1. Product Overview

1.1 INTRODUCTION

The MCP3901 and PIC18F65J90 Energy Meter Reference Design is a fully functional IEC Class 0.5 compliant single-phase meter. This low-cost design does not use any transformers and requires few external components. The PIC18F65J90 directly drives the LCD, and includes both an isolated USB connection for meter calibration and access to the device power calculations. The system calculates active energy, active power, RMS current, RMS voltage, reactive energy, reactive power, apparent power and other typical power quantities.

The Microchip Energy Meter 1-Phase Software is used to calibrate and monitor the system, and can be used to create custom calibration setups. For some accuracy requirements, only a single point calibration may be needed. The energy meter software offers an automated step-by-step calibration process that can be used to quickly calibrate energy meters.

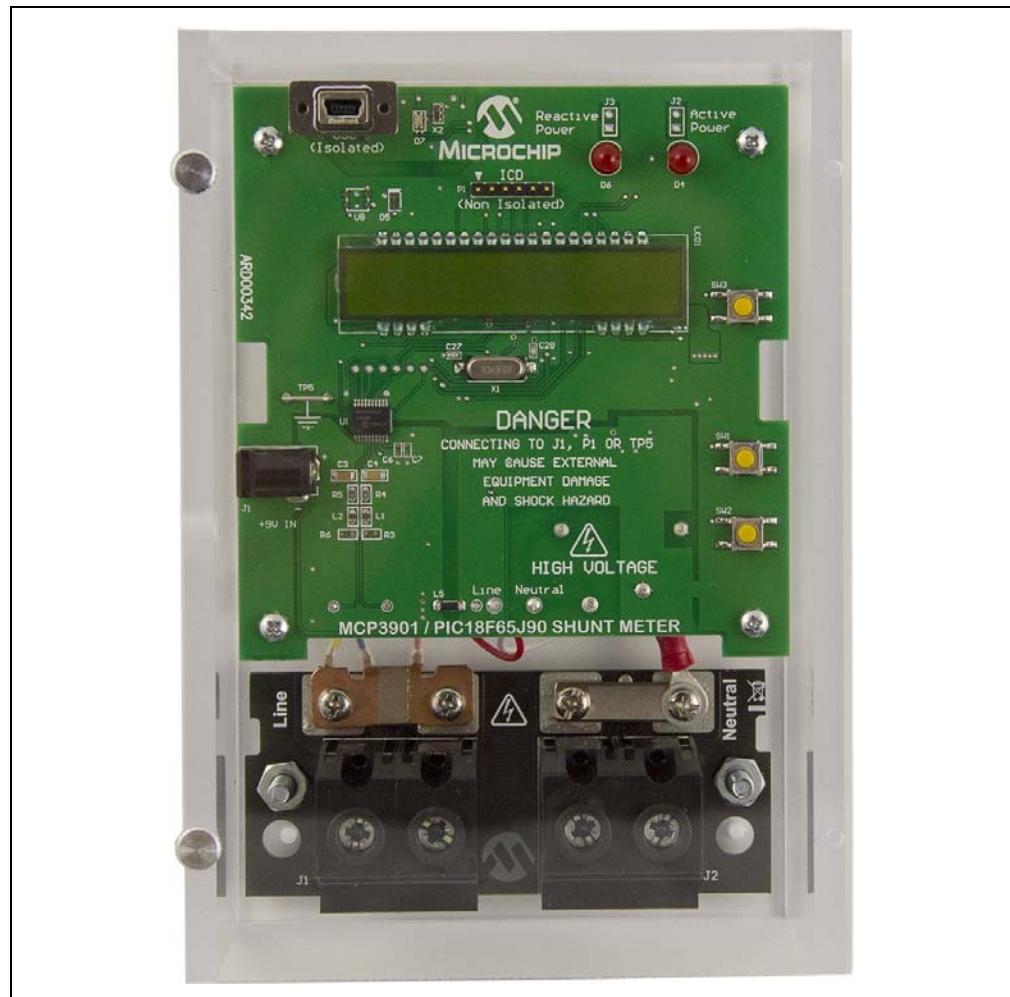


FIGURE 1-1: MCP3901 and PIC18F65J90 Single-Phase Energy Meter.

MCP3901 and PIC18F65J90 Energy Meter Reference Design

1.2 WHAT THE MCP3901 AND PIC18F65J90 ENERGY METER REFERENCE DESIGN KIT INCLUDES

This MCP3901 and PIC18F65J90 Energy Meter Reference Design kit includes:

- MCP3901 and PIC18F65J90 Energy Meter Reference Design User's Guide
- Important Information Sheet

1.3 GETTING STARTED

To describe how to use the MCP3901 and PIC18F65J90 Energy Meter Reference Design, the following example is given using a two-wire 1-phase, 220 VAC line voltage and connections using energy meter calibrator equipment, or other programmable load source. The meter design uses a 5A load for calibration current, and a maximum current (I_{MAX}) of 60A.

To test a calibrated meter, the following connections apply for a two-wire connection.

1.3.1 Step 1: Wiring Connections

Figure 1-2 identifies the line and load connections of the MCP3901 and PIC18F65J90 Energy Meter Reference Design.

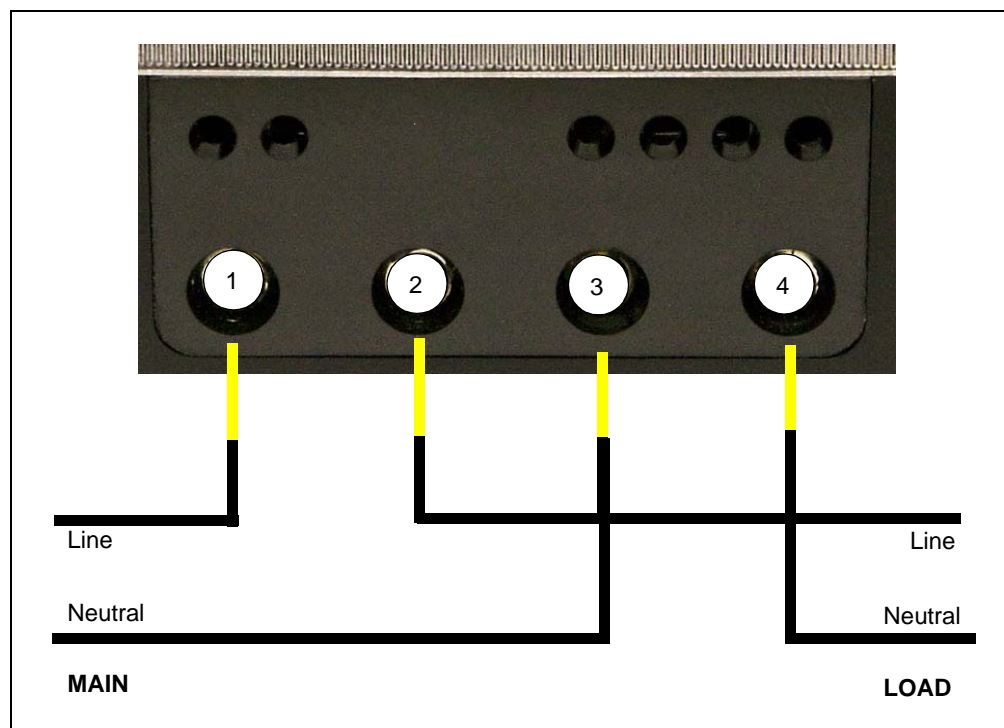


FIGURE 1-2: Example Connections using a 2-Wire System.

1.3.2 Step 2: Turn On Line/Load Power to the Meter (Power the Meter)

The meter will turn on when the line connection has 220V connected. The LCD display will show the total energy accumulated.

Chapter 2. Hardware

2.1 OVERVIEW

Figures 2-1 and 2-2 show the MCP3901 and PIC18F65J90 and Energy Meter Reference Design:

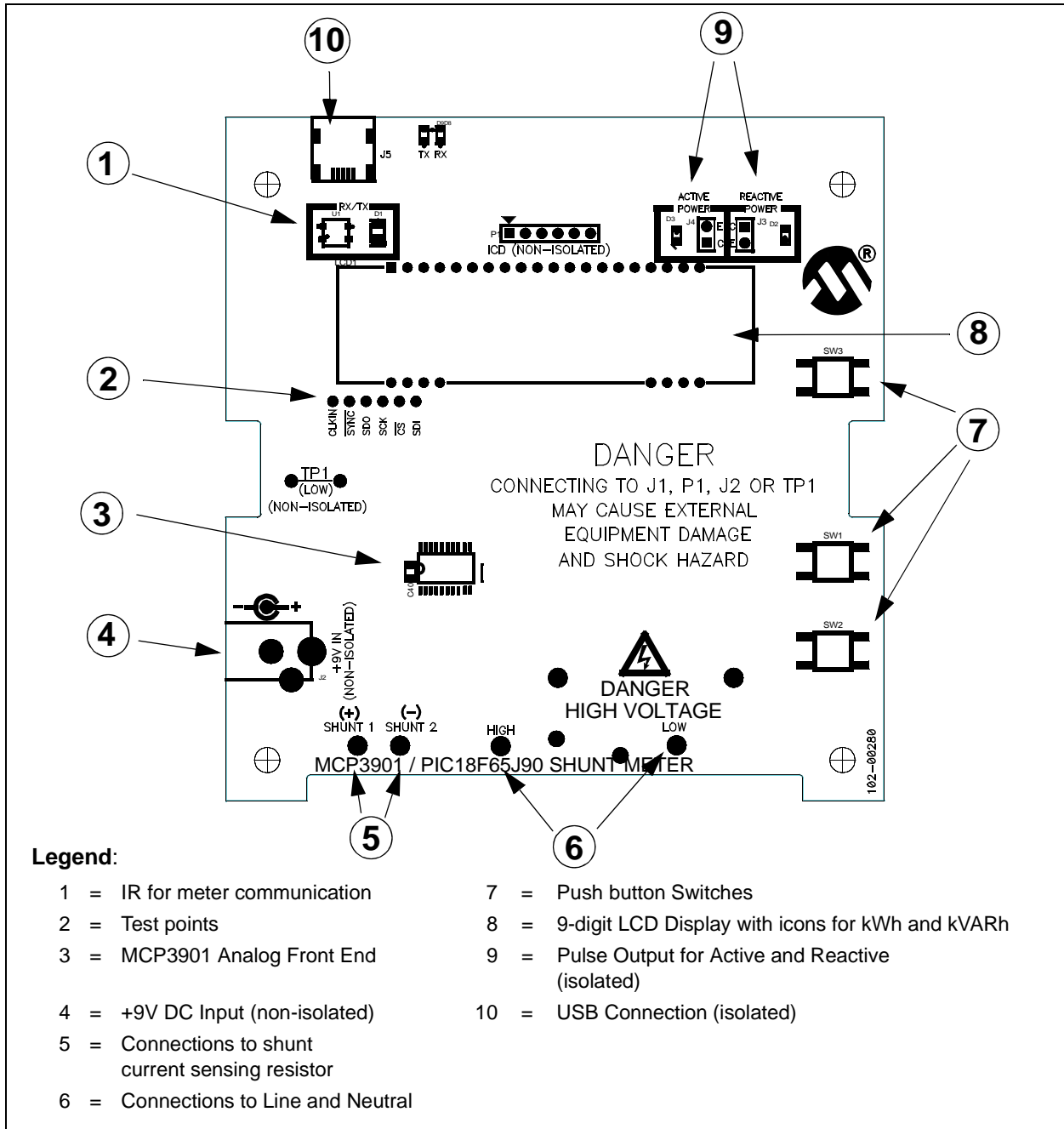


FIGURE 2-1: Top View – Hardware Components.

MCP3901 and PIC18F65J90 Energy Meter Reference Design

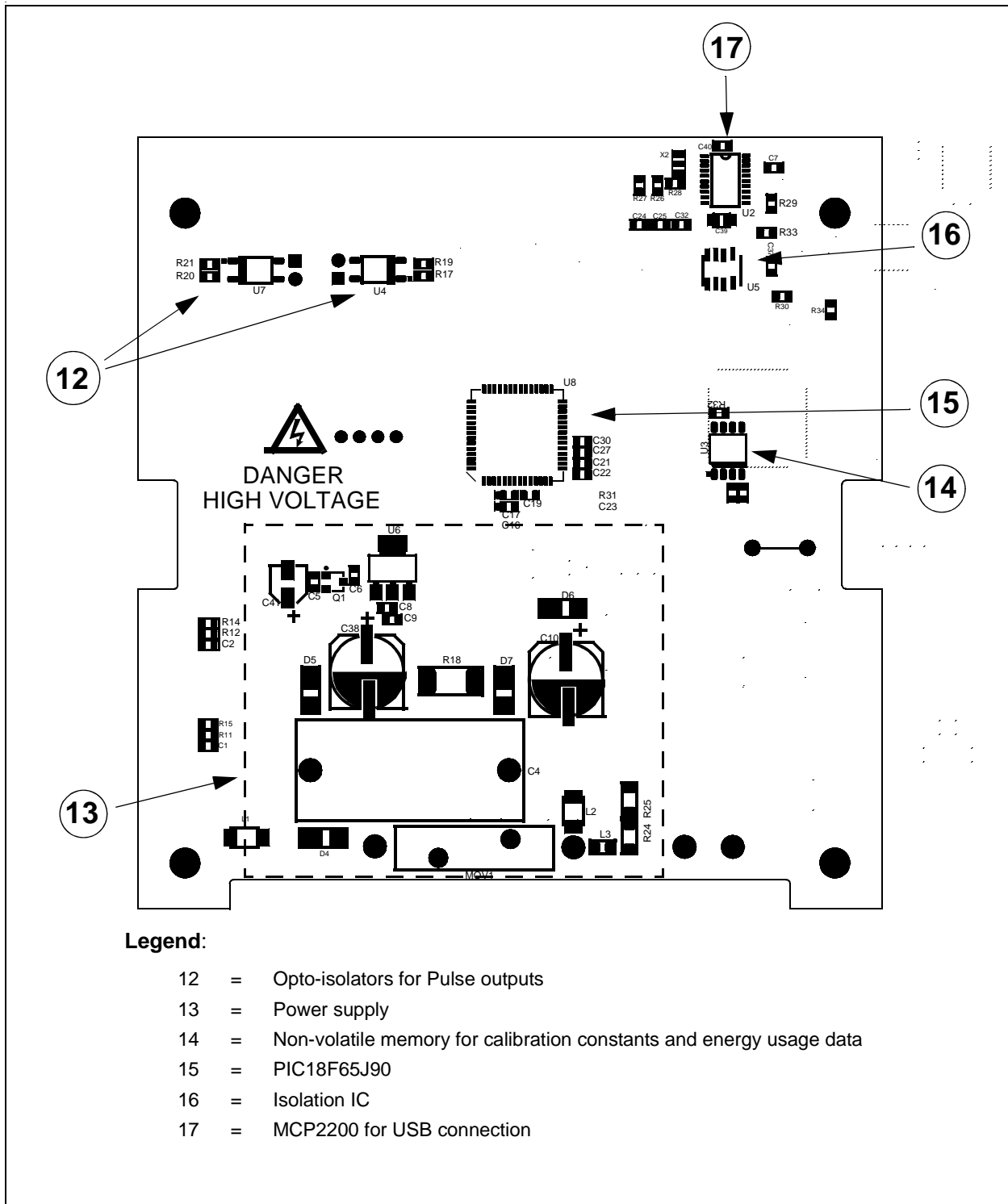


FIGURE 2-2: Bottom View – Hardware Components.

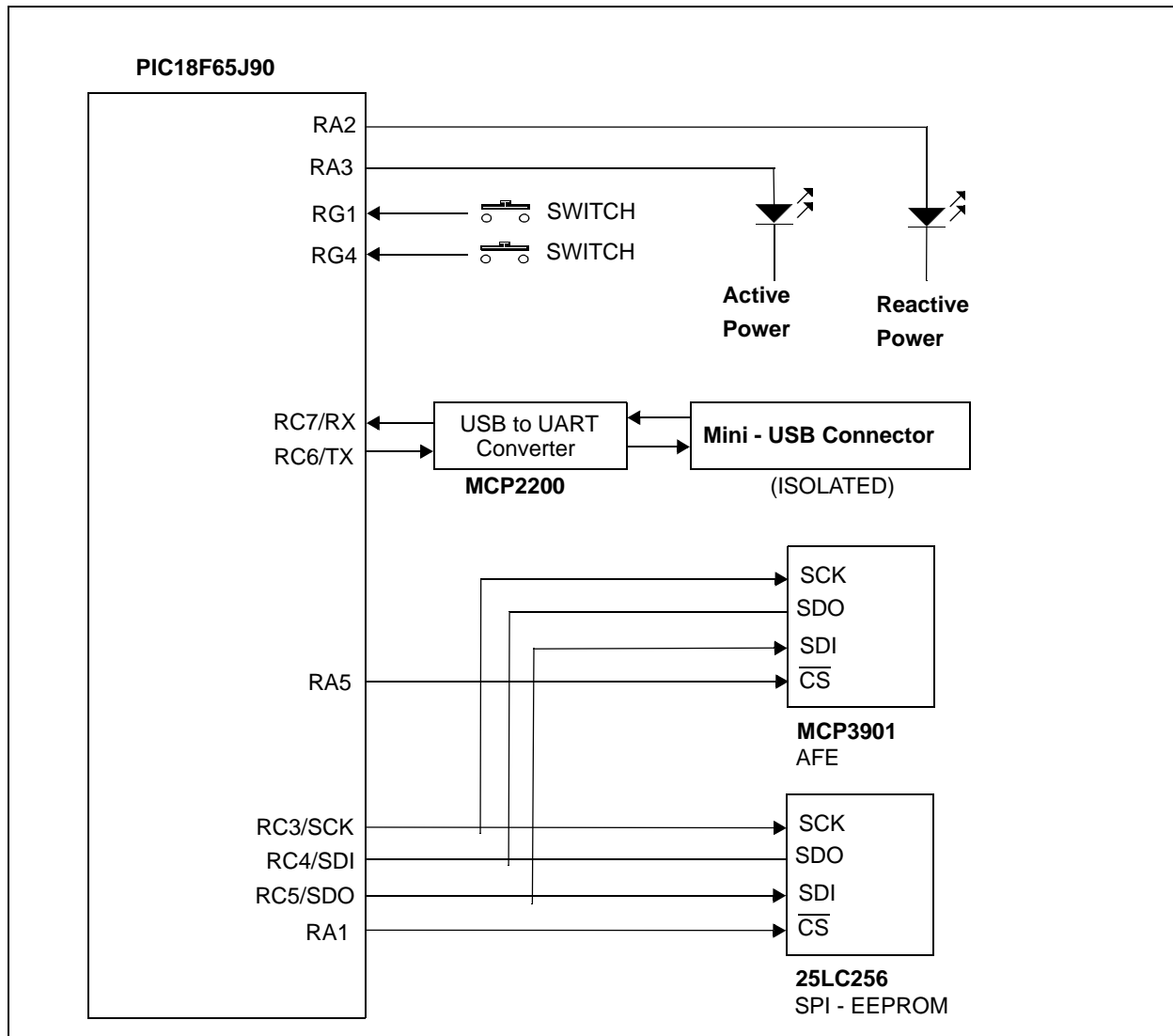


FIGURE 2-3: Digital Connections.

MCP3901 and PIC18F65J90 Energy Meter Reference Design

2.2 INPUT AND ANALOG FRONT END

The MCP3901 and PIC18F65J90 and Energy Meter Reference Design comes populated with components designed for 220V line voltage. At the bottom of the main board are the high voltage line and neutral connections. There are four connections that are made from the PCB to the meter casing. They are labeled LINE, NEUTRAL, SHUNT1, and SHUNT2. The shunt sits on the high or line side of a two-wire system and the meter employs a hot or "live" ground. The wires going into the shunt to SHUNT1 and SHUNT2 should be twisted together. The wires going into the LINE and NEUTRAL side of the meter should be twisted together, and also kept away from the SHUNT1 and SHUNT2 wires if possible.

The neutral side of the two-wire system goes into a resistor divider on the voltage channel input. Anti-aliasing low-pass filters will be included on both differential channels. The voltage channel uses two 332 k Ω resistors to achieve a divider ratio of 664:1. For a line voltage of 230 V_{RMS}, the channel 1 input signal size will be 490 mV_{PEAK}.

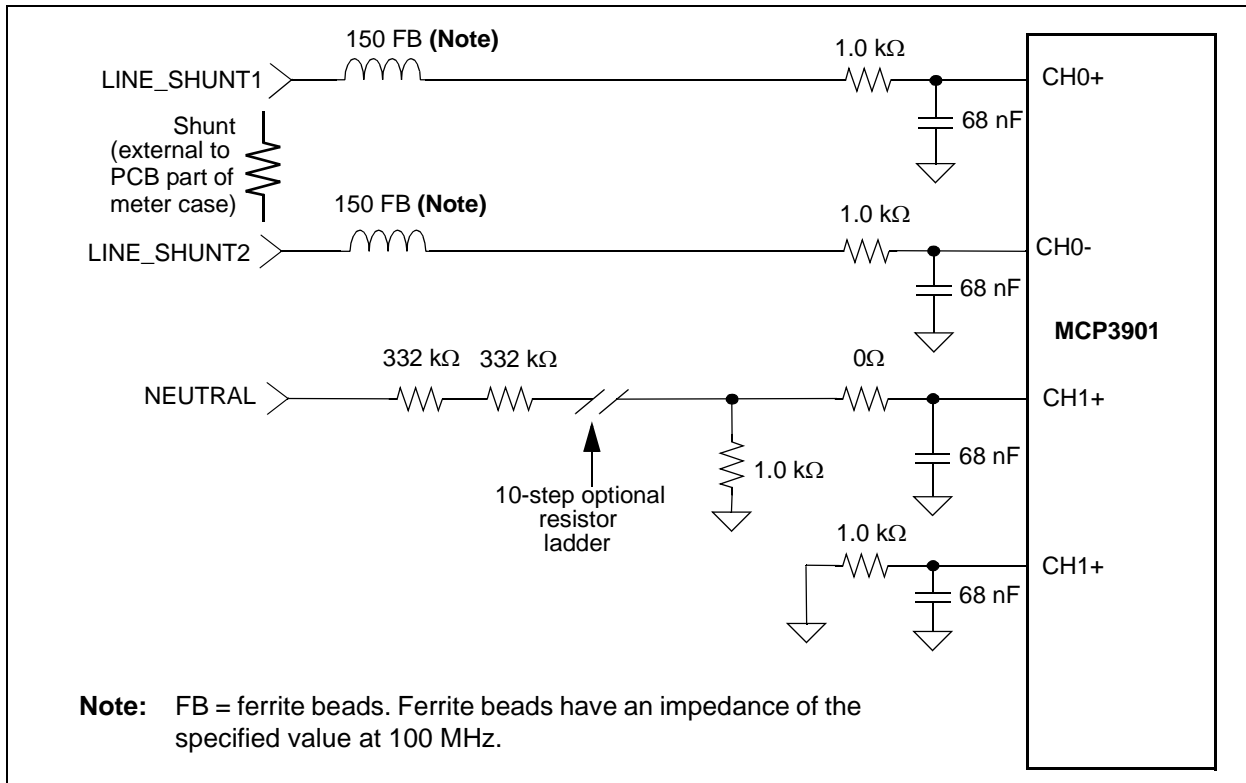


FIGURE 2-4: Analog Input Circuitry.

Chapter 3. Calculation Engine and Register Description

3.1 CALCULATION ENGINE SIGNAL FLOW SUMMARY

RMS voltage, RMS current, Active Power, Reactive Power and Apparent Power, and the calibration output pulse are all calculated through the following process described in Figure 3-1. The calibration registers for each calculation are shown as well as the output registers.

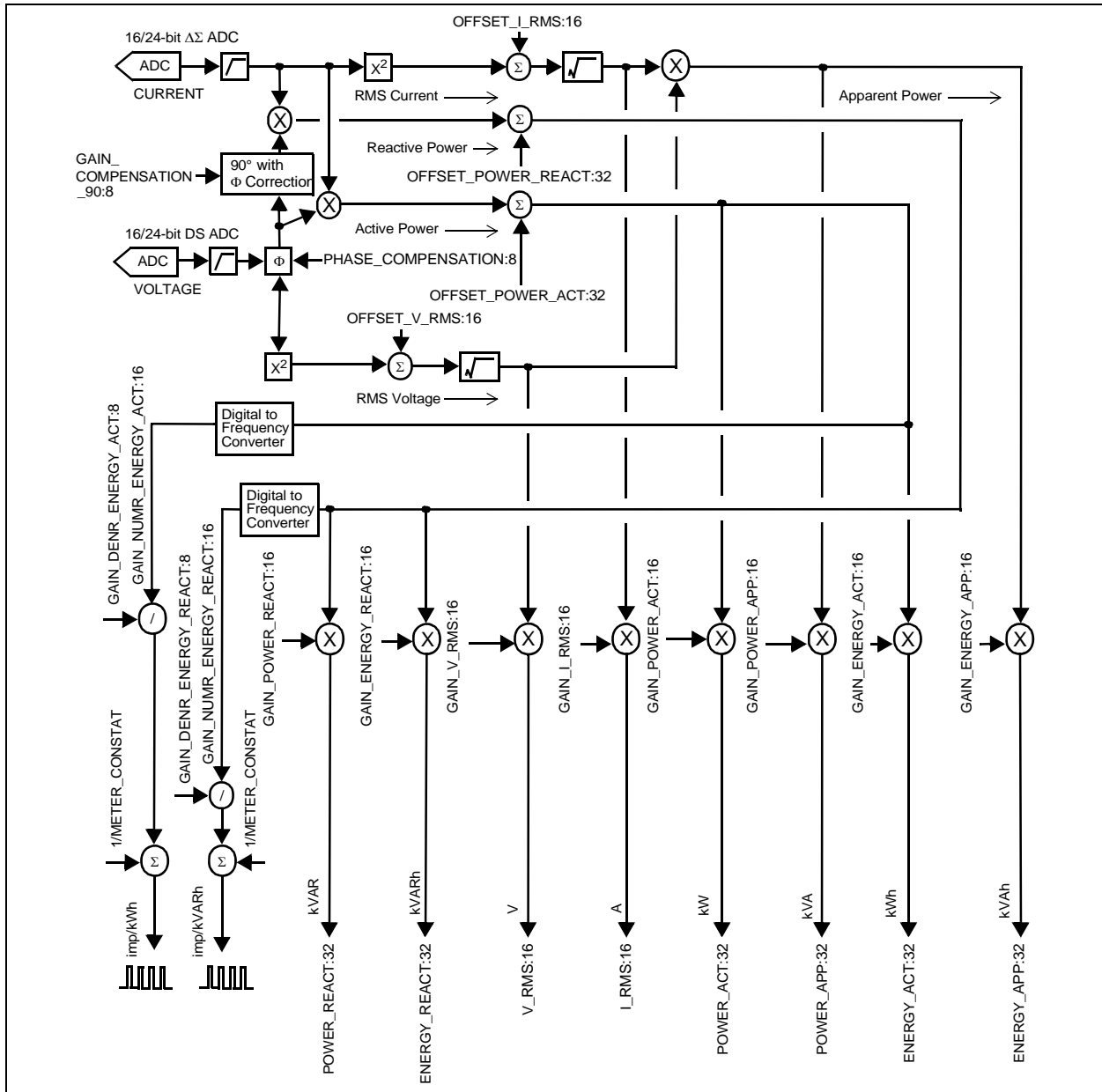


FIGURE 3-1: PIC18F65J90 Calculation Engine Signal Flow

MCP3901 and PIC18F65J90 Energy Meter Reference Design

3.2 REGISTER LIST

Note: Important! Not all registers and features are implemented in this version of firmware release.

TABLE 3-1: INTERNAL REGISTER SUMMARY

Name	Bits	R/W	Description
MODE	8	R/W	Configuration register for operating mode of the meter
STATUS	8	R	STATUS register
CAL_CONTROL	8	R/W	Configuration register for calibration control
LINE_CYC	16	R/W	2 ⁿ number of line cycles to be used during energy accumulation
LINE_CYC_CNT	16	R	Counter for number of line cycles
RAW2_I_RMS	64	R	Raw ² RMS value from the current A/D converter in LSBs
RAW_I_RMS	16	R	Raw RMS value from the current A/D converter in LSBs
I_RMS	16	R	RMS value of the current, post Calibration
RAW2_V_RMS	64	R	Raw ² RMS value from the voltage A/D converter in LSBs
RAW_V_RMS	16	R	Raw RMS value from the voltage A/D converter in LSBs
V_RMS	16	R	RMS value of the voltage, post Calibration
LINE_FREQUENCY	16	R	Line Frequency
RAW_POWER_ACT	64	R	Raw Active Power
POWER_ACT	32	R	Final Active Power, units in watts (W)
POWER_APP	32	R	Final Apparent Power, units in volt-amperes (VA)
RAW_POWER_REACT	64	R	Raw Reactive Power
POWER_REACT	32	R	Final Reactive Power, units in volt-amperes-reactive (VAR)
PERIOD	32	R	Period register
ENERGY_ACT	32	R	Final Active Energy accumulated
RAW_ENERGY_ACT	64	R	Raw Active Energy accumulated
ENERGY_APP	32	R	Final Apparent Energy accumulated
RAW_ENERGY_APP	64	R	Raw Apparent Energy accumulated
I_ABS_MAX	8	R	Not implemented
V_ABS_MAX	8	R	Not implemented
ENERGY_REACT	32	R	Final Reactive Energy accumulated
RAW_ENERGY_REACT	64	R	Final Reactive Energy accumulated
PHASE_COMPENSATION	8	R/W	Phase compensation between voltage and current
OFFSET_I_RMS	16	R/W	Offset adjustment for RMS current reading
OFFSET_V_RMS	16	R/W	Offset adjustment for RMS voltage reading
GAIN_I_RMS	16	R/W	Gain adjustment for RMS current
GAIN_V_RMS	16	R/W	Gain adjustment for RMS voltage
OFFSET_POWER_ACT	32	R/W	Active Power offset
GAIN_POWER_ACT	16	R/W	Active Power gain adjust
OFFSET_POWER_REACT	32	R/W	Offset correction for Reactive Power
GAIN_POWER_REACT	16	R/W	Reactive Power gain adjust to produce X VAR/LSB
GAIN_ENERGY_ACT	16	R/W	Not implemented
GAIN_ENERGY_APP	16	R/W	Not implemented
GAIN_ENERGY_REACT	16	R/W	Not implemented
CF_PULSE_WIDTH	8	R/W	Defines CF pulse width from 0 to 255 x 0.8192 ms (0.209s)
GAIN_DENR_ENERGY_ACT	8	R/W	Active Energy Pulse Output correction factor

Calculation Engine and Register Description

TABLE 3-1: INTERNAL REGISTER SUMMARY (CONTINUED)

Name	Bits	R/W	Description
GAIN_NUMR_ENERGY_ACT	16	R/W	Active Energy Pulse Output correction factor
MODE1_DEF	16	R/W	Power Up Configuration Register
CAL_STATUS	16	R/W	Calibration Status
MAXIMUM CURRENT	16	R/W	Maximum current of the meter (I_{MAX})
CALIBRATION_VOLTAGE	16	R/W	Calibration Voltage of the meter (V_{CAL})
CALIBRATION_CURRENT	16	R/W	Calibration Current of the meter (I_{CAL})
CALIBRATION_FREQUENCY	16	R/W	Calibration Frequency of the meter
METER_CONSTANT	16	R/W	Meter Constant in imp/kWh or imp/kVARh
CALIBRATION_LINE_CYCLE	16	R/W	Number of line cycles for calibration
GAIN_DENR_ENERGY_REACT	8	R/W	Reactive Energy Pulse Output correction factor
GAIN_NUMR_ENERGY_REACT	16	R/W	Reactive Energy Pulse Output correction factor
PHASE_COMPENSATION_90	8	R/W	Phase delay for Reactive Power
CREEP_THRSHOLD_MINUTE	8	R/W	No Load threshold time (minutes)
CREEP_THRSHOLD_SECOND	8	R/W	No Load threshold time (seconds)
ENERGY_ACT	32	R/W	Active Energy
ENERGY_REACT	32	R/W	Reactive Energy

3.3 MODE

The MODE register controls the operation of the energy meter. The bit functions are defined by the table below.

REGISTER 3-1: MODE REGISTER

U-0	U-0	U-0	U-0	R/W-0	R/W-0	R/W-0	R/W-0
—	—	—	—	CF	ABSOLUTE	PHASE	CREEP
bit 7				bit 0			

Legend:

R = Readable bit W = Writable bit U = Unimplemented bit, read as '0'
 -n = Value at POR '1' = Bit is set '0' = Bit is cleared x = Bit is unknown

bit 7-4 **Unimplemented:** Read as '0'.

bit 3 **CF:** Active Energy CF Phase Enable bit

1 = Bit = 1 Phase is enabled to be accumulated into the total energy registers or CF pulse output

0 = Bit = 0 Phase is DISABLED and is not accumulated into the total energy registers or CF pulse output

bit 2 **ABSOLUTE** Positive Only Energy Accumulation Mode bit

1 = Bit = 1 Positive energy only

0 = Bit = 0 Both negative and positive energy accumulated (negative energy is subtracted)

bit 1 **PHASE:** Phase bit

1 = Single-Point Phase Correction

0 = Multi-Point Phase Correction (future)

bit 0 **CREEP:** No-Load Threshold bit

1 = Enabled

0 = Disabled

MCP3901 and PIC18F65J90 Energy Meter Reference Design

3.4 STATUS

The STATUS register contains the operational status of the energy meter. The bit functions are defined in the table below.

REGISTER 3-2: STATUS REGISTER

U-0	U-0	U-0	U-0	U-0	U-0	R	U-0
—	—	—	—	—	—	PH_S	—
bit 7						bit 0	

Legend:

R = Readable bit	W = Writable bit	U = Unimplemented bit, read as '0'
-n = Value at POR	'1' = Bit is set	'0' = Bit is cleared x = Bit is unknown

bit 7-2 **Unimplemented:** Read as '0'

bit 1 **PH_S:** Phase Sign bit
 1 = CT may be in backward (if enabled)
 0 = Operation normal

bit 0 **Unimplemented:** Read as '0'

3.5 CAL_CONTROL

This is the Calibration mode control register. Bit 0 enables the Calibration mode. In this mode, the power meter operates as normal, but no updates are made to the voltage, current, power or energy registers as long as bit 1 is low. When bit 1 is set high, the registers are updated for LINE_CYC line cycles (only power and energy registers are updated). After this time, bit 1 is set low by the PIC18F65J90 and the update of the registers will stop. This allows the calibration software to set bit 0, clear the registers, set bit 1 and start reading the desired registers, as well as the CAL_CONTROL register, to check the status of bit 1. When bit 1 goes low, the LINE_CYC line cycles have passed and the registers are final. Note that bit 0 takes effect immediately, and bit 1 will take effect on the very next line cycle. When bit 1 goes low, all registers will be ready to read.

REGISTER 3-3: CAL_CONTROL REGISTER (NOTE 1)

U-0	U-0	U-0	U-0	U-0	U-0	R/W-0	R/W-0
—	—	—	—	—	Reserved	CAL_UPDATE	CAL_MODE
bit 7						bit 0	

Legend:

R = Readable bit	W = Writable bit	U = Unimplemented bit, read as '0'
-n = Value at POR	'1' = Bit is set	'0' = Bit is cleared x = Bit is unknown

bit 7-3 **Unimplemented:** Read as '0'

bit 2 **Reserved:**

Calculation Engine and Register Description

REGISTER 3-3: CAL_CONTROL REGISTER (CONTINUED)(NOTE 1)

- bit 1 **CAL_UPDATE:** Calibration Update bit
Power and energy registers updated for LINE_CYC line cycles when cleared. Bit must be set for registers to begin updating, which starts on the next line cycle after bit is set.
- 1 = When the CAL_MODE bit is set, set the CAL_UPDATE bit to enable update of power and energy registers starting on next line cycle. Bit = 1 Single Point Phase Correction.
 - 0 = When the CAL_MODE bit is set and the CAL_UPDATE bit has been set, the CAL_UPDATE bit will be cleared after LINE_CYC line cycles. At that point, all registers will be updated and no further updates will be done until the CAL_UPDATE bit is set again, or the CAL_MODE bit is cleared.
- bit 0 **CAL_MODE:** Calibration Mode bit
This bit enables Calibration mode.
- 1 = Calibration mode enabled
 - 0 = Calibration mode disabled

Note 1: This register is used in Multi-Point and Single-Point Calibration modes only.

3.6 LINE_CYC

Name	Bits	Cof
LINE_CYC	16	R/W

Number of line cycles as a power of two. A setting of 0 indicates 2^0 or one line cycle. A setting of 1 is two line cycles (2^1), a setting of 2 is four lines cycles (2^2), up to a setting of eight which is 256 line cycles. When written, this register will not take effect until the previous number of line cycles has been acquired.

3.7 LINE_CYC_CNT

Name	Bits	Cof
LINE_CYC_CNT	16	R

This register counts from 0 and finishes at $2^{(\text{LINE_CYC} - 1)}$. Then it restarts at 0, where LINE_CYC represents the value in the LINE_CYC register.

3.8 RAW2_I_RMS

Name	Bits	Cof
RAW2_I_RMS	64	R

This register is the square of the raw RMS value from the current A/D converter in LSBs. By definition, this register will always contain a positive value, including the situation where power is negative from a backwards CT or otherwise. This register is overwritten every LINE_CYC line cycle and is written only once, if calibration is enabled.

MCP3901 and PIC18F65J90 Energy Meter Reference Design

3.9 RAW_I_RMS

Name	Bits	Cof
RAW_I_RMS	16	R

This register is the raw RMS value from the current A/D converter in LSBs (square root of the top 32-bits of RAW2_I_RMS + OFFSET_I_RMS). By definition, this register will always contain a positive value (even if the CT is in backwards). This register is overwritten every LINE_CYC line cycle and is written only once, if calibration is enabled.

3.10 I_RMS

Name	Bits	Cof
I_RMS	16	R

This register is the RMS value of phase A current in X A/LSB, as determined by the value in the GAIN_I_RMS register. When displaying the RMS current, multiply the (decimal) value in these registers by X to get the display value in amperes. This register is overwritten every LINE_CYC line cycle (written only once if calibration is enabled).

3.11 RAW2_V_RMS

Name	Bits	Cof
RAW2_V_RMS	64	R

This register is the square of the raw RMS value from the voltage A/D converter in LSBs. By definition, it will always contain a positive value. This register is overwritten every LINE_CYC line cycle (written only once if calibration is enabled).

3.12 RAW_V_RMS

Name	Bits	Cof
RAW_V_RMS	16	R

This is the raw RMS value from the voltage A/D converter in LSBs (square root of the top 32-bits of RAW2_V_RMS + OFFSET_V_RMS). By definition, this register will always contain a positive value. The register is overwritten every LINE_CYC line cycle (written only once if calibration is enabled).

3.13 V_RMS

Name	Bits	Cof
V_RMS	16	R

This register is the RMS value of the voltage, in X 0.01 V/LSB, as determined by the value in the GAIN_V_RMS register. When displaying the RMS voltage, assume a calibrated meter exists and multiply the (decimal) value in these registers by X to get the display value in volts. This register is overwritten every LINE_CYC line cycle (written only once if calibration is enabled).

Calculation Engine and Register Description

3.14 LINE_FREQUENCY

Name	Bits	Cof
LINE_FREQUENCY	16	R

This register holds the measured line frequency using the zero crossing technique.

3.15 RAW_POWER_ACT

Name	Bits	Cof
RAW_POWER_ACT	64	R

This register is the raw active power, as it represents the sum of current A/D value times voltage A/D value results over LINE_CYC line cycles (each line cycle has 128 results). Each current times voltage multiplication results in a 32-bit word. There are up to 256 line cycles with each line cycle being 128 results, and each result being 32-bit. Thus, 48 bits are needed. This is the register to be read during calibration for calculating the offset and gain values associated with active power, OFFSET_POWER_ACT and GAIN_POWER_ACT. This register is overwritten every line cycle, however if calibration is enabled, the updates will stop once the LINE_CYC line cycles have elapsed.

3.16 POWER_ACT

Name	Bits	Cof
POWER_ACT	32	R

This register is the value for active power. The goal of the calibration is to get this register value to equal X W/LSB. This is done with the OFFSET_POWER_ACT and GAIN_POWER_ACT registers. When displaying the power, multiply the (decimal) value in this register by X to get the display value in watts. This register is overwritten every LINE_CYC line cycle (written only once if calibration is enabled).

3.17 POWER_APP

Name	Bits	Cof
POWER_APP	32	R

This is the value of the apparent power. The goal of the calibration is to get this value to equal X VA/LSB. This is done with the GAIN_POWER_APP registers. When displaying the power for phase A, multiply the (decimal) value in this register by X to get the display value in watts. This register is overwritten every LINE_CYC line cycle (written only once if calibration is enabled).

MCP3901 and PIC18F65J90 Energy Meter Reference Design

3.18 RAW_POWER_REACT

Name	Bits	Cof
RAW_POWER_REACT	64	R

This is the raw reactive power. This register is read during the calibration for calculating the gain values associated with the reactive power and GAIN_POWER_REACT. This register is overwritten every LINE_CYC line cycle (written only once if calibration is enabled). This register is accumulated on a line-cycle basis.

3.19 POWER_REACT

Name	Bits	Cof
POWER_REACT	32	R

This is the value for reactive power. The goal is to get this value to equal X VAR/LSB. This is done with the GAIN_POWER_REACT register. When displaying the power, multiply the (decimal) value in this register by X to get the display value in watts. This register is overwritten every LINE_CYC line cycle (written only once if calibration is enabled).

3.20 PERIOD

Name	Bits	Cof
PERIOD	32	R

This 32-bit register represents the total number of clock ticks that elapsed over the most recent LINE_CYC line cycle. Each LSB represents 1.6 μ s with a 4 MHz clock on the microcontroller. This register is overwritten every LINE_CYC line cycle (written only once if calibration is enabled).

3.21 ENERGY_ACT

Name	Bits	Cof
ENERGY_ACT	32	R
RAW_ENERGY_ACT	64	R

The design updates the Energy register using the CF Pulse blink output count. In this method, the Energy registers increments every pulse by a value equal to $1/(\text{METER_CONSTANT})$.

$$\text{ENERGY_ACT} = \text{ENERGY_ACT} + (1/\text{METER_CONSTANT})$$

The gain calibration registers GAIN_NUMR_ENERGY_ACT and GAIN_DENR_ENERGY_ACT operate the same for this method also.

Calculation Engine and Register Description

3.22 ENERGY_APP

Name	Bits	Cof
ENERGY_APP	32	R
RAW_ENERGY_APP	64	R

These two registers represent the total apparent energy accumulated so far.

3.23 I_ABS_MAX

Name	Bits	Cof
I_ABS_MAX	8	R

NOT IMPLEMENTED IN THIS FIRMWARE/SOFTWARE RELEASE.

3.24 V_ABS_MAX

Name	Bits	Cof
V_ABS_MAX	8	R/W

NOT IMPLEMENTED IN THIS FIRMWARE/SOFTWARE RELEASE.

3.25 ENERGY_REACT

Name	Bits	Cof
ENERGY_REACT	32	R
RAW_ENERGY_REACT	64	R

The design updates the reactive energy register using the CF Pulse blink output. In this method, the Energy registers increment every pulse by a value equal to $1/(\text{METER_CONSTANT})$.

$$\text{ENERGY_REACT} = \text{ENERGY_REACT} + (1/\text{METER_CONSTANT})$$

The gain calibration registers GAIN_NUMR_ENERGY_ACT and GAIN_DENR_ENERGY_ACT operate the same for this method also.

3.26 PHASE_COMPENSATION

Name	Bits	Cof
PHASE_COMPENSATION	8	R/W

Phase delay, signed 8-bit value, provides the phase compensation by sampling time/2.

MCP3901 and PIC18F65J90 Energy Meter Reference Design

3.27 OFFSET_I_RMS

Name	Bits	Cof
OFFSET_I_RMS	16	R/W

Square of the offset for RMS current reading, signed 16-bit value. Note that this value should be similar to the ADC's noise squared. At a gain of 1, the noise will be about 1 LSB, 2 LSBs at a gain of 2, 6 LSBs at a gain of 8, 11 LSBs at a gain of 16, and 22 LSBs at a gain of 32. There may be other sources of noise. Using the square of the offset allows for higher accuracy. The value will be added before the square root is taken when calculating the final RMS value.

3.28 OFFSET_V_RMS

Name	Bits	Cof
OFFSET_V_RMS	16	R/W

Square of offset for RMS voltage reading, signed 8-bit value. Note that this value should be similar to the ADC's noise squared. For the voltage channel, the noise will be about 1 LSB. There may be other sources of noise. Using the square of the offset allows for higher accuracy. The value will be added before the square root is taken when calculating the final RMS value.

3.29 GAIN_I_RMS

Name	Bits	Cof
GAIN_I_RMS	16	R/W

Current gain to produce X A/LSB. The value is always less than one (for example, $32,767 = 0.9999695$).

3.30 GAIN_V_RMS

Name	Bits	Cof
GAIN_V_RMS	16	R/W

Voltage gain to produce 0.1 V/LSB in the V_RMS register. The value is always less than one (for example, $32,767 = 0.9999695$).

3.31 OFFSET_POWER_ACT

Name	Bits	Cof
OFFSET_POWER_ACT	32	R/W

Active power offset (this is a straight offset, not the square, as with voltage and current). A much larger value is needed because the power is a running sum. This is a 32-bit signed value.

Calculation Engine and Register Description

3.32 GAIN_POWER_ACT

Name	Bits	Cof
GAIN_POWER_ACT	16	R/W

Active power gain to produce X W/LSB. The value is always less than one (for example, $32,767 = 0.9999695$).

3.33 OFFSET_POWER_REACT

Name	Bits	Cof
OFFSET_POWER_REACT	32	R/W

Reactive power offset (this is a straight offset, not the square, as with voltage and current). A much larger value is needed because the power is a running sum. This is a 32-bit signed value.

3.34 GAIN_POWER_REACT

Name	Bits	Cof
GAIN_POWER_REACT	16	R/W

Reactive power gain to produce X W/LSB. The value is always less than one (for example, $32,767 = 0.9999695$).

3.35 GAIN_ENERGY_ACT

Name	Bits	Cof
GAIN_ENERGY_ACT	16	R/W

Active energy gain to produce X Wh/LSB. The value is always less than one (for example, $32,767 = 0.9999695$).

3.36 GAIN_ENERGY_APP

Name	Bits	Cof
GAIN_ENERGY_APP	16	R/W

Apparent energy gain to produce X VAh/LSB. The value is always less than one (for example, $32,767 = 0.9999695$).

3.37 GAIN_ENERGY_REACT

Name	Bits	Cof
GAIN_ENERGY_REACT	16	R/W

Reactive energy gain to produce X VARh/LSB. The value is always less than one (for example, $32,767 = 0.9999695$).

MCP3901 and PIC18F65J90 Energy Meter Reference Design

3.38 CF_PULSE_WIDTH

Name	Bits	Cof
CF_PULSE_WIDTH	8	R/W

Defines the CF pulse width from 0 to 255. Length of width is valued * 8 * (1/LINE_FREQUENCY)/128) ms. A maximum of 0.266 seconds for 60 Hz and 0.319 seconds for 50 Hz.

If the value is 0, no CF pulse is produced.

3.39 GAIN_DENR_ENERGY_ACT

Name	Bits	Cof
GAIN_DENR_ENERGY_ACT	8	R/W

8-bit signed value. Represents the number of shifts for active power energy register ENERGY_ACT before GAIN_DENR_ENERGY_ACT is applied.

3.40 GAIN_NUMR_ENERGY_ACT

Name	Bits	Cof
GAIN_NUMR_ENERGY_ACT	16	R/W

Active power gain to produce a specified pulses per watt-hour. The value is always less than one (for example, 32,767 = 0.9999695).

3.41 MODE1_DEF

Name	Bits	Cof
MODE1_DEF	16	R/W

MODE default power-up settings. On power-up, this register will be read and placed into the MODE register.

3.42 CAL_STATUS

The CAL_STATUS register holds the calibration status for each individual phase. Broken down by phase, these are the values that can be calibrated. Each bit has the status of 0 = NOT Calibrated, 1 = Calibrated.

REGISTER 3-4: CAL_STATUS REGISTER

R/W-0	R/W-0	R/W-0	U-0	U-0	R/W-0	R/W-0	R/W-0
PHASE_COM PENSATION	OFFSET_I_ RMS	OFFSET_V_ RMS	—	—	GAIN_I_RMS	GAIN_V_RMS	OFFSET_PO WER_ACT
bit 15							bit 8
U-0	R/W-0	U-0	U-0	U-0	R/W-0	U-0	U-0
—	GAIN_POW ER_ACT	—	—	—	GAIN_POWE R_REACT	—	—
bit 7							bit 0

Calculation Engine and Register Description

REGISTER 3-4: CAL_STATUS REGISTER (CONTINUED)

Legend:

R = Readable bit

W = Writable bit

U = Unimplemented bit, read as '0'

-n = Value at POR

'1' = Bit is set

'0' = Bit is cleared

x = Bit is unknown

bit 15-0 **All bits:** Calibration Register Status bits

1 = This register has been calibrated

0 = This register is NOT calibrated

3.43 MAXIMUM CURRENT

Name	Bits	Cof
MAXIMUM_CURRENT	16	R/W

This register holds the maximum current for the meter (I_{MAX}).

3.44 CALIBRATION_VOLTAGE

Name	Bits	Cof
CALIBRATION_VOLTAGE	16	R/W

This register holds the calibration voltage of the meter (V_{CAL}).

3.45 CALIBRATION_CURRENT

Name	Bits	Cof
CALIBRATION_CURRENT	16	R/W

This register holds the calibration current of the meter (I_{CAL}).

3.46 CALIBRATION_FREQUENCY

Name	Bits	Cof
CALIBRATION_FREQUENCY	16	R/W

This register holds the calibration frequency of the meter.

3.47 METER_CONSTANT

Name	Bits	Cof
METER_CONSTANT	16	R/W

This register holds the meter constant in imp/kWh or imp/kVARh.

MCP3901 and PIC18F65J90 Energy Meter Reference Design

3.48 CALIBRATION_LINE_CYCLE

Name	Bits	Cof
CALIBRATION_FREQUENCY	16	R/W

This register holds the number of line cycles used during the calibration.

3.49 GAIN_DENR_ENERGY_REACT

Name	Bits	Cof
GAIN_DENR_ENERGY_REACT	8	R/W

8-bit signed value. Represents the number of shifts for reactive power energy register, before GAIN_NUMR_ENERGY_REACT is applied.

3.50 GAIN_NUMR_ENERGY_REACT

Name	Bits	Cof
GAIN_NUMR_ENERGY_REACT	16	R/W

Reactive power gain to produce a specified pulse per VAR-hour. The value is always less than one (for example, $32,767 = 0.9999695$).

3.51 PHASE_COMPENSATION_90

Name	Bits	Cof
PHASE_COMPENSATION_90	8	R/W

Phase delay for reactive power, signed 8-bit value, sampling time/2.

3.52 CREEP_THRSHOLD_MINUTE

Name	Bits	Cof
CREEP_THRSHOLD_MINUTE	8	R/W

This 8-bit register holds the decimal representation of the creep threshold time in minutes (total creep is minutes + seconds register).

3.53 CREEP_THRSHOLD_SECOND

Name	Bits	Cof
CREEP_THRSHOLD_SECOND	8	R/W

This 8-bit register holds the decimal representation of the creep threshold time in seconds (total creep is minutes + seconds register).

Chapter 4. Meter Protocol and Timings

4.1 PROTOCOL

The Universal Asynchronous Receiver/Transmitter (UART) of the PIC18F65J90 is used to access the register map of the meter. In addition to the reading and writing of the registers, there are also dedicated commands for clearing calibration registers, loading calibration registers and storing calibration registers to flash. The first byte UART data is an ASCII character that represents the command, and each command has a specific protocol. Each command ends with the ASCII character "X".

4.1.1 Command Description

The first byte of the data (byte 0) is an ASCII character E, L, S, W and R.

- E – Echo All Data Received (ECHO)
- L – Load Calibration Registers from Flash (LOAD)
- S – Store Calibration Registers (STORE)
- W – Write Bytes (WRITE)
- R – Read Bytes (READ)

The last data byte is always an 'X' character. All commands will result in the same command being returned. The exception is the 'R' (read) command which will return additional data in lieu of the number of bytes.

4.1.1.1 "E" ECHO: - ECHO ALL DATA RECEIVED

Example: 'EABCDEFGHJKLMNOPQRSTUVWXYZ1234567890X'.

Returns: 'EABCDEFGHJKLMNOPQRSTUVWXYZ1234567890X'.

4.1.1.2 "L" LOAD: LOAD CALIBRATION REGISTERS FROM FLASH.

Example: 'LX'.

Returns: 'LX'.

This command is used to verify that the calibration values were actually written into flash (or EEPROM). Once the software executes a 'SX' command, it should verify that the values were stored by issuing an 'LX' command and then reading the calibration values with a 'R' command.

4.1.1.3 "S" STORE: STORE CALIBRATION REGISTERS INTO FLASH

Note that the store command will write all calibration values to internal EEPROM, and this function takes some time. During that time, the meter is not functional. The store command should only be used after calibrating the meter, and not while it is in actual use.

Example: 'SX'.

Returns: 'SX'.

MCP3901 and PIC18F65J90 Energy Meter Reference Design

4.1.1.4 “W” WRITE: WRITE STARTING AT SPECIFIED ADDRESS

Write specified bytes.

Example: 'W030000102030405060708090A0B0C0D0E0FX'.

Returns: 'W030000102030405060708090A0B0C0D0E0FX'.

Note: If the number of data characters is odd, the last character (the one just prior to the 'X') will be ignored.

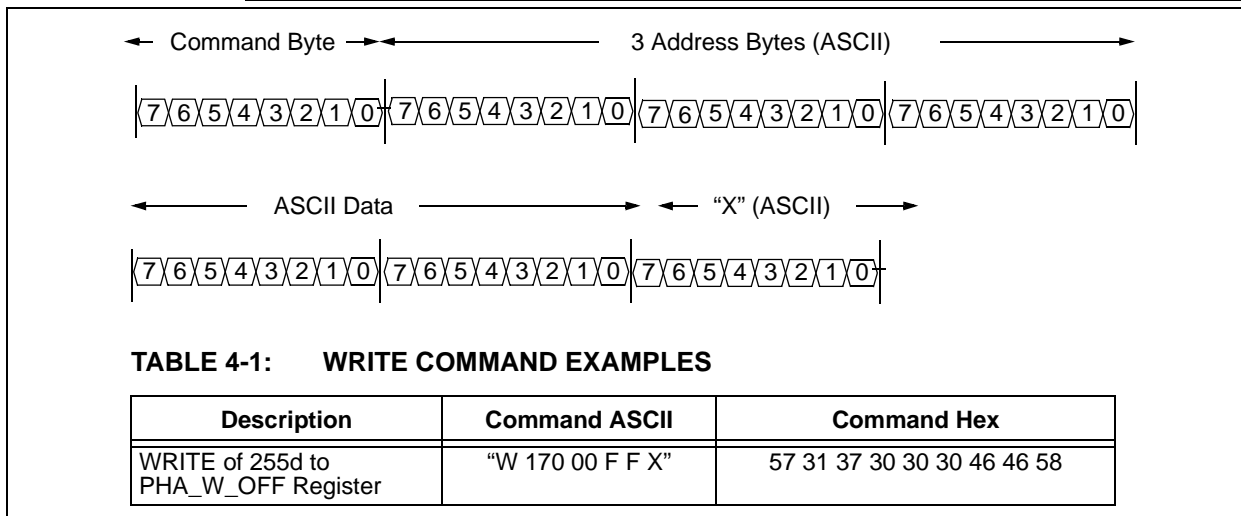


FIGURE 4-1: WRITE Command Protocol.

4.1.1.5 “R” READ: READ STARTING AT SPECIFIED ADDRESS

Example: 'R03010X' (read 16 bytes starting at address 30h).

Returns: 'R030000102030405060708090A0B0C0D0E0FX'

Note: For 16 bytes, there are 32 ASCII characters returned, or two characters per byte.

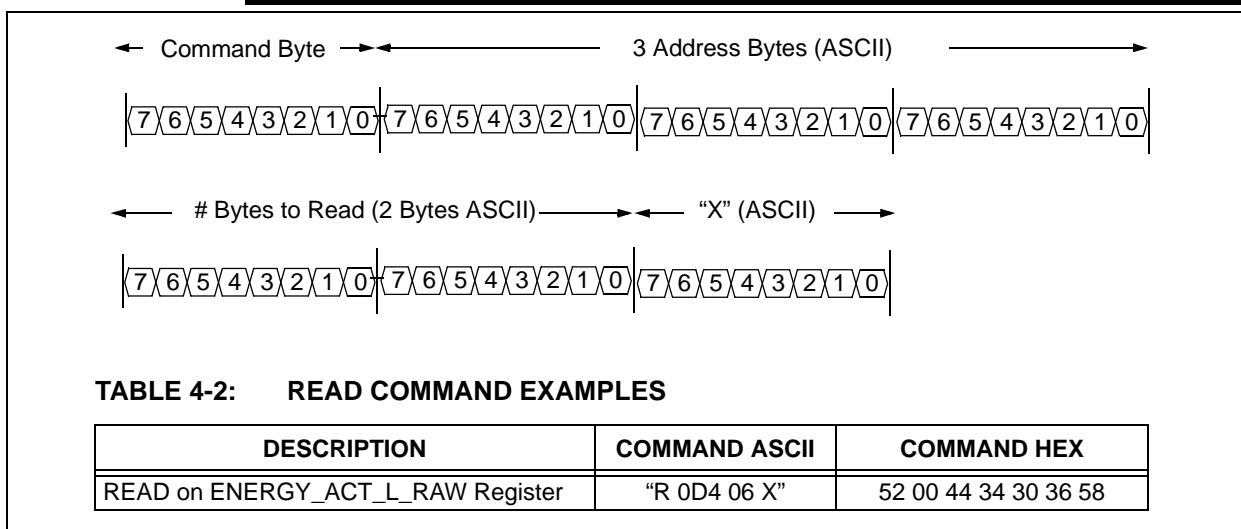


FIGURE 4-2: Read Command Protocol.

Appendix A. Schematic and Layouts

A.1 INTRODUCTION

This appendix contains the following schematics and layouts for the MCP3901 and PIC18F65J90 Energy Meter Reference Design:

- Board – ADC Schematic
- Board – MCU Schematic
- Board – LCD and USB Schematic
- Board – Top Silk and Pads
- Board – Top Copper
- Board – Bottom Copper
- Board – Bottom Silk and Pads
- Board – Top 3D
- Board – Bottom 3D

A.2 SCHEMATICS AND PCB LAYOUT

The layer order is shown in Figure A-1.

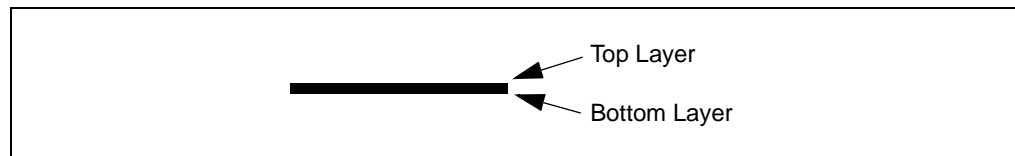
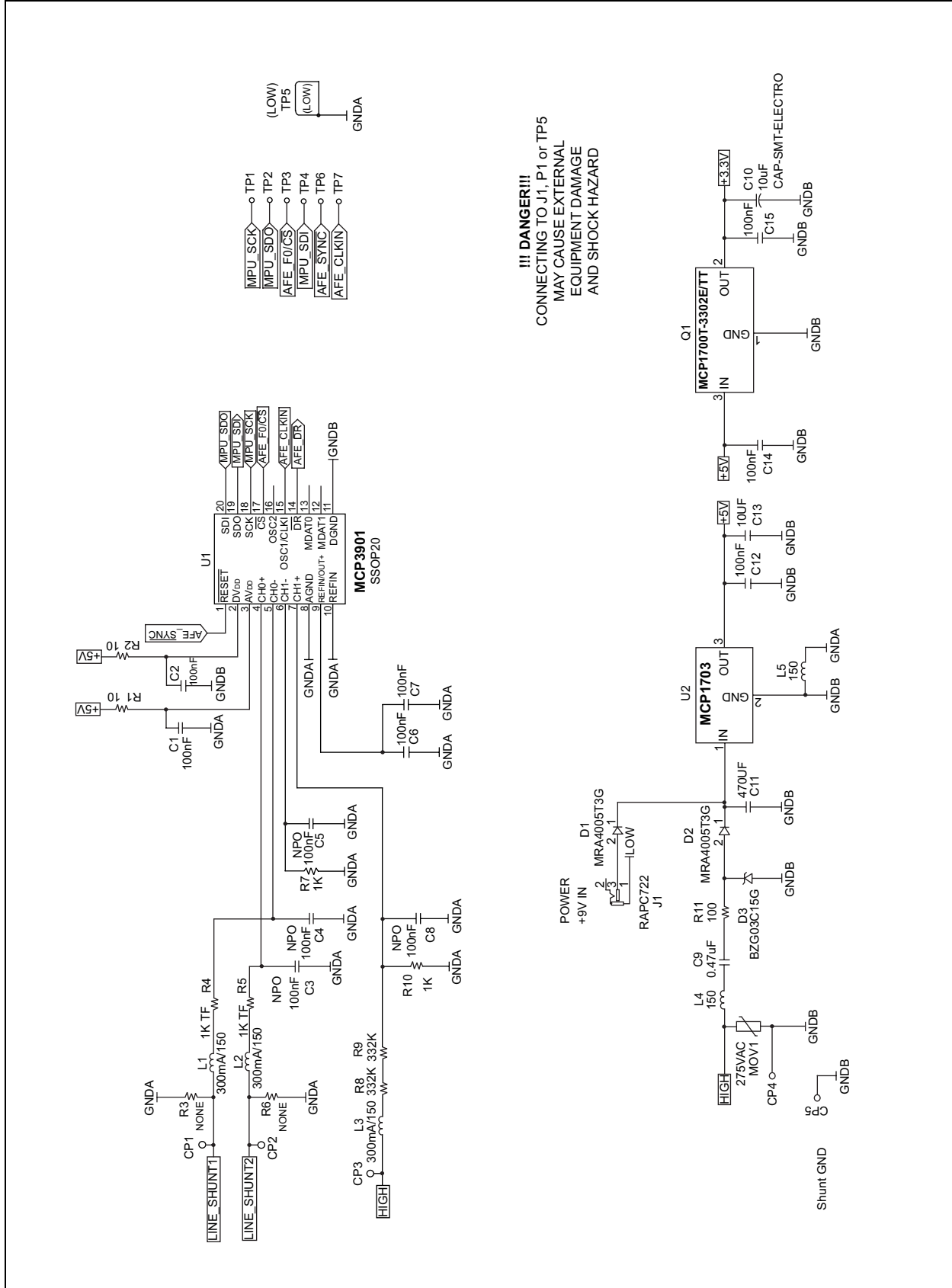


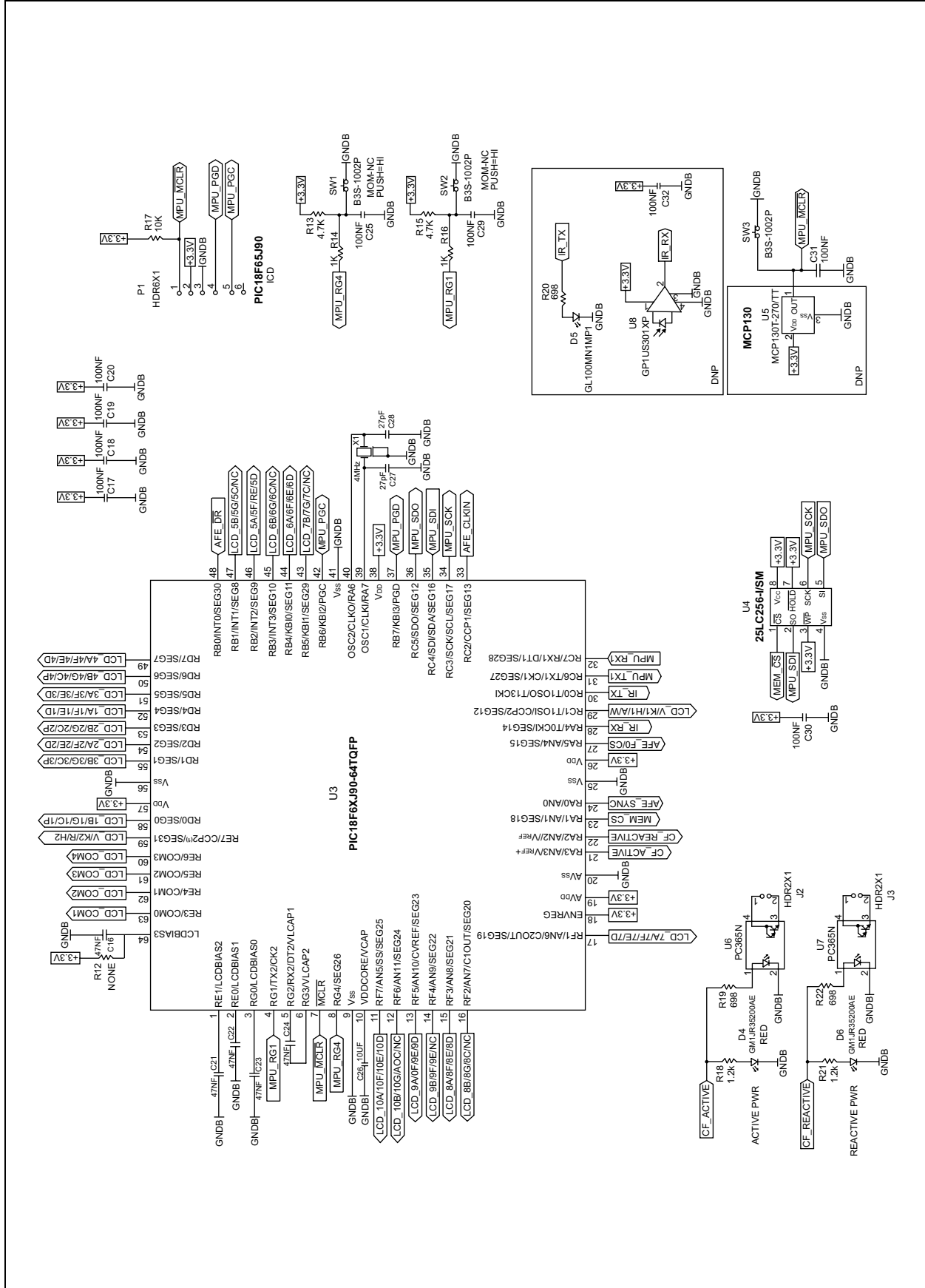
FIGURE A-1: *Layer Order.*

MCP3901 and PIC18F65J90 Energy Meter Reference Design

A.3 BOARD – ADC SCHEMATIC

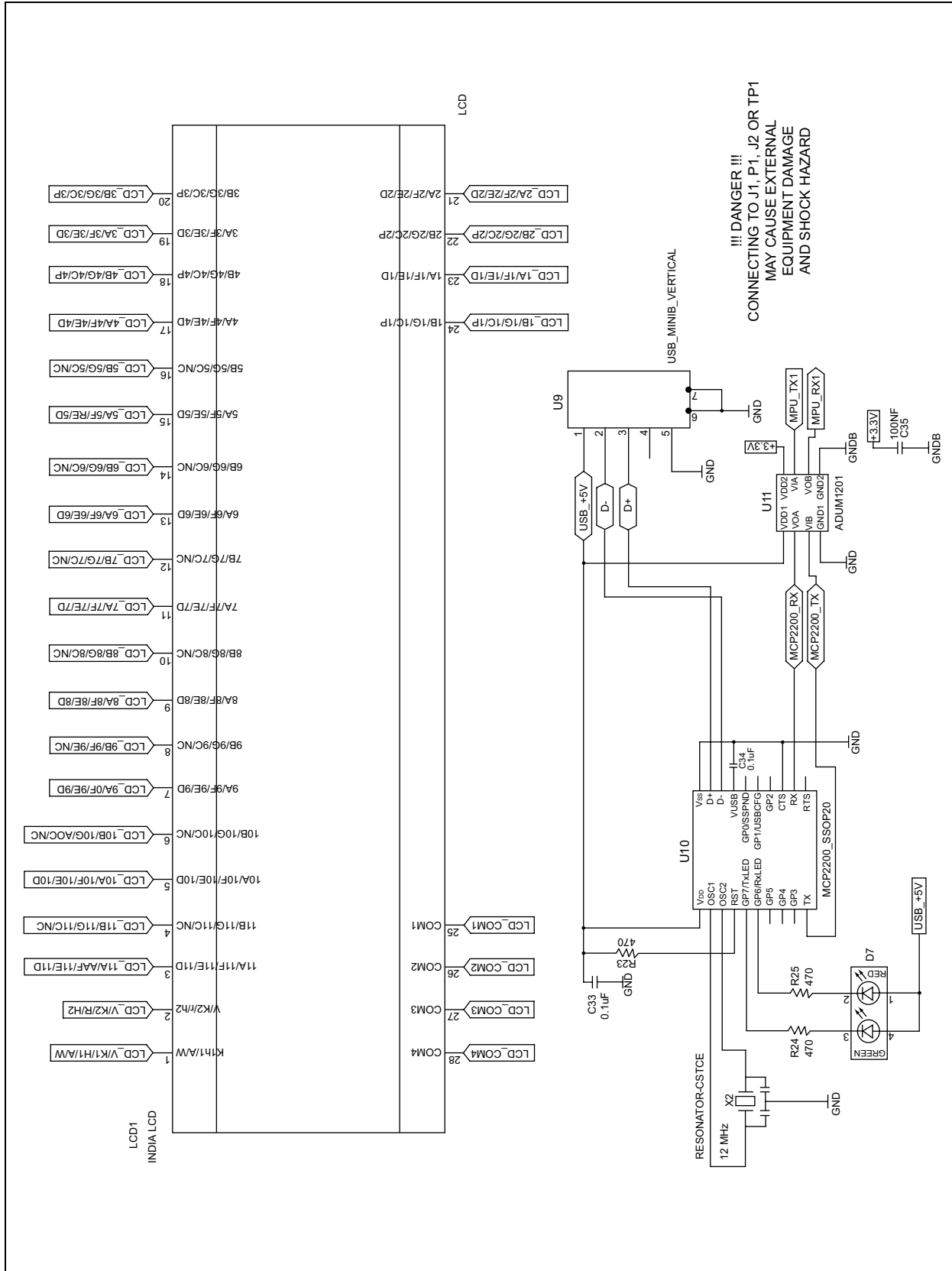


A.4 BOARD – MCU SCHEMATIC

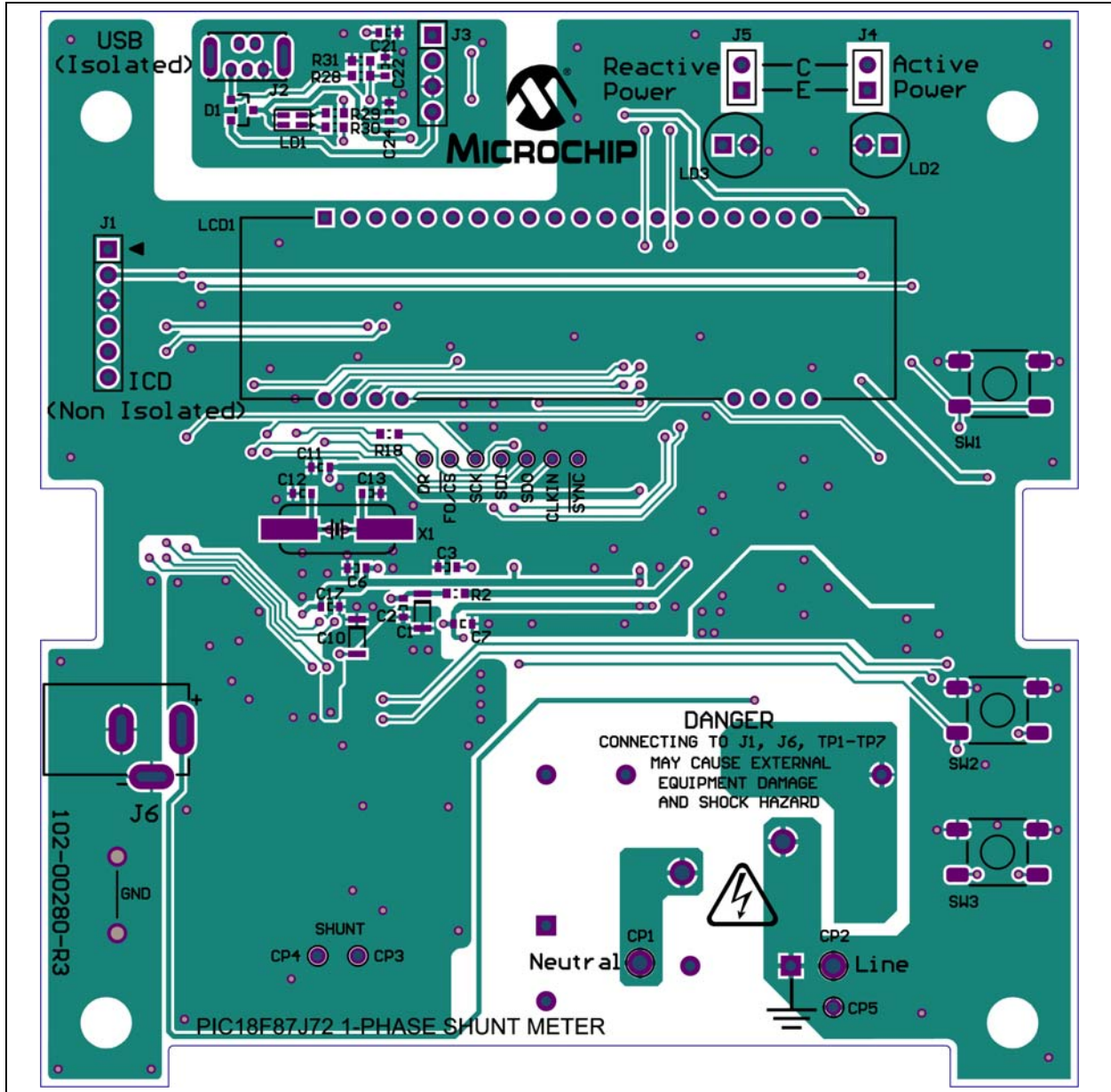


MCP3901 and PIC18F65J90 Energy Meter Reference Design

A.5 BOARD – LCD AND USB SCHEMATIC

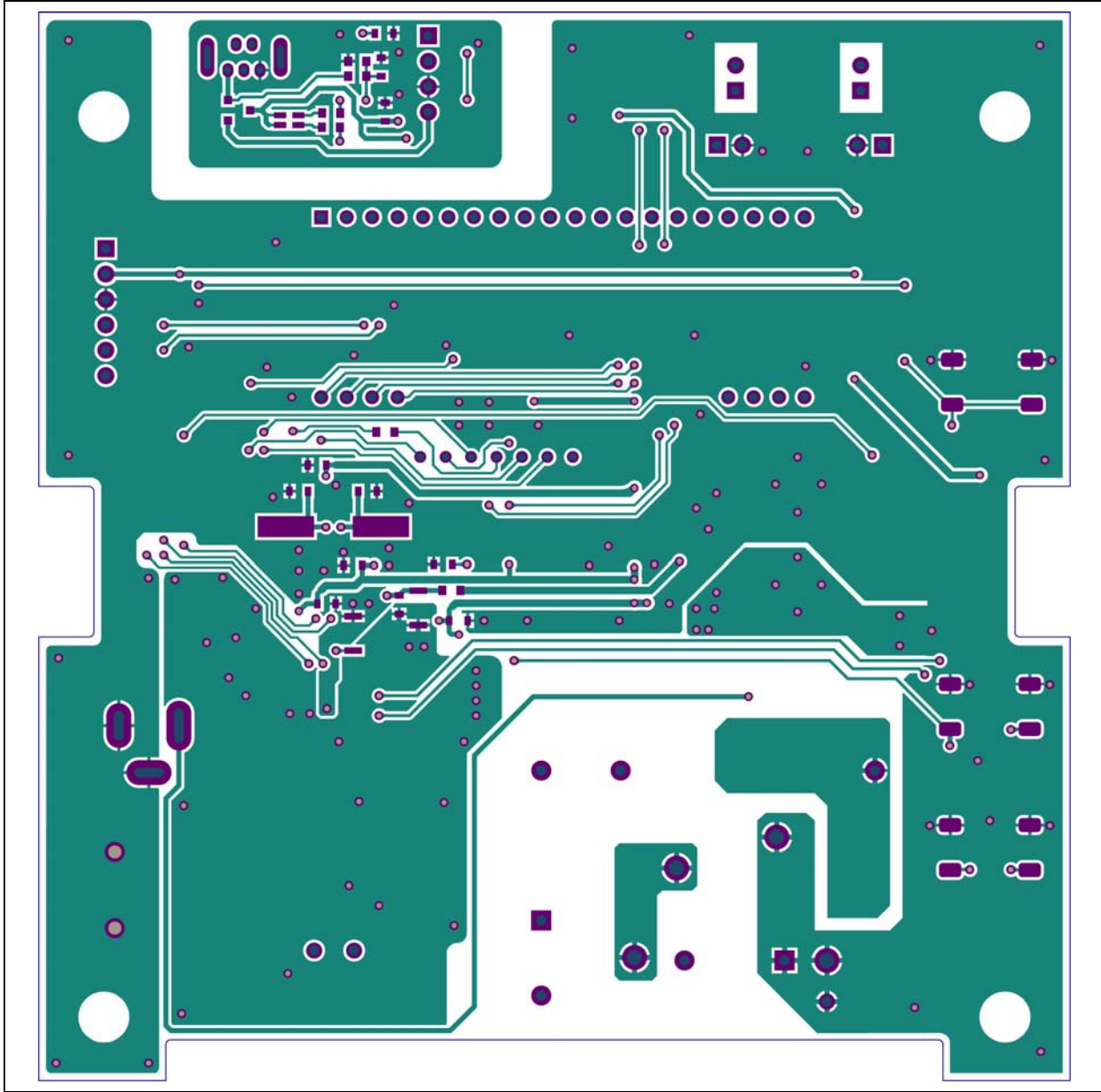


A.6 BOARD – TOP SILK AND PADS

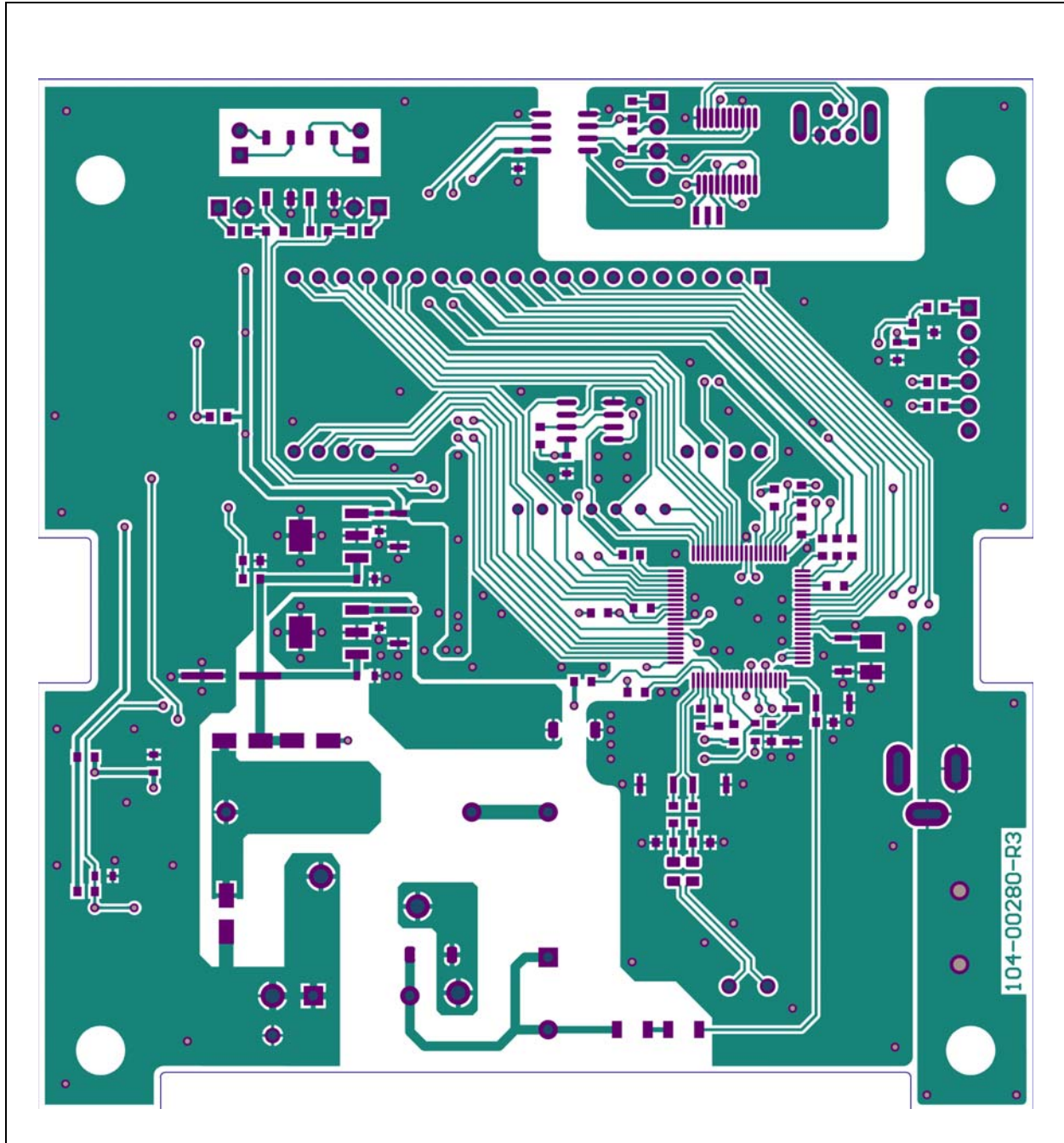


MCP3901 and PIC18F65J90 Energy Meter Reference Design

A.7 BOARD – TOP COPPER

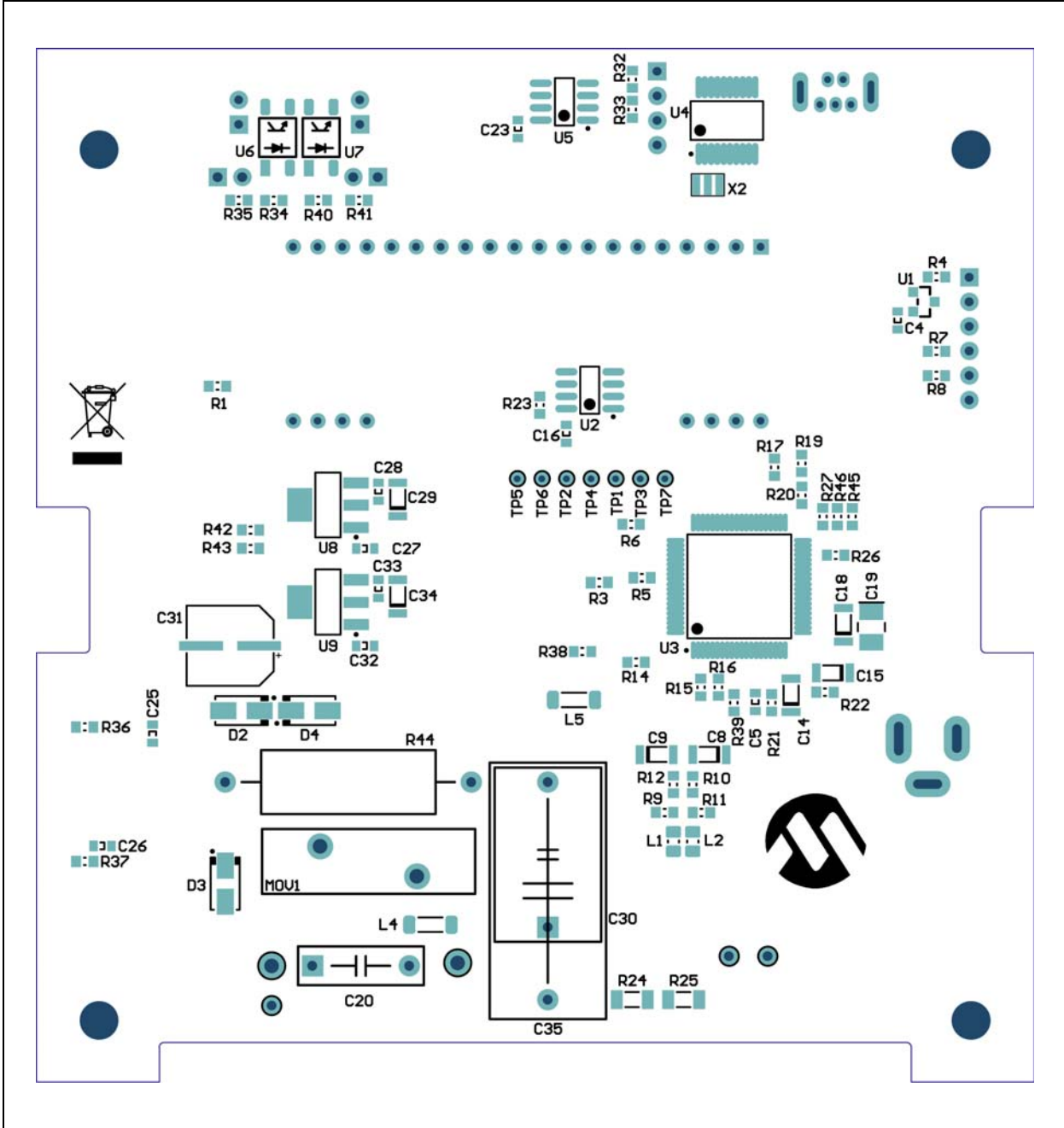


A.8 BOARD – BOTTOM COPPER

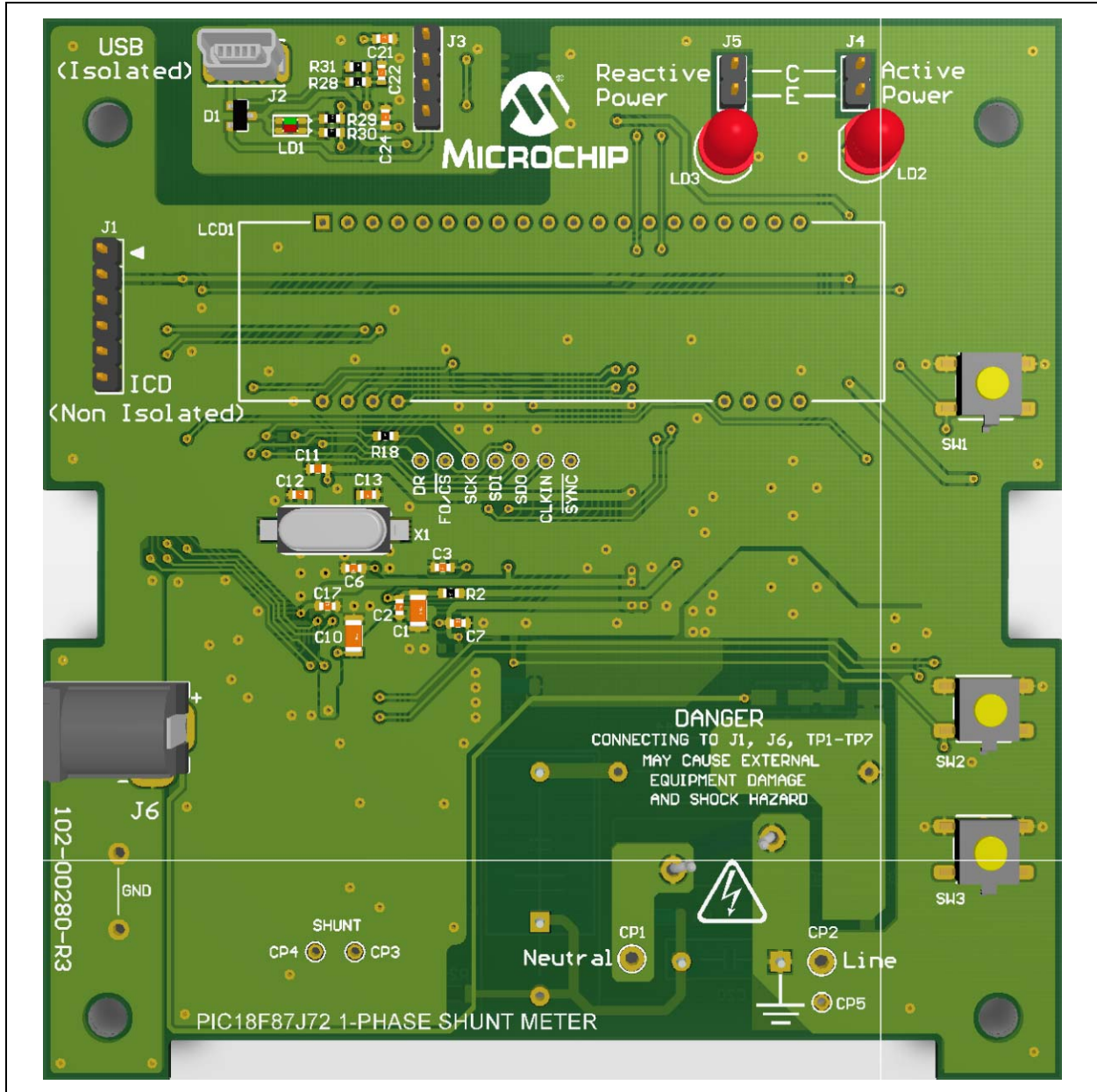


MCP3901 and PIC18F65J90 Energy Meter Reference Design

A.9 BOARD – BOTTOM SILK AND PADS

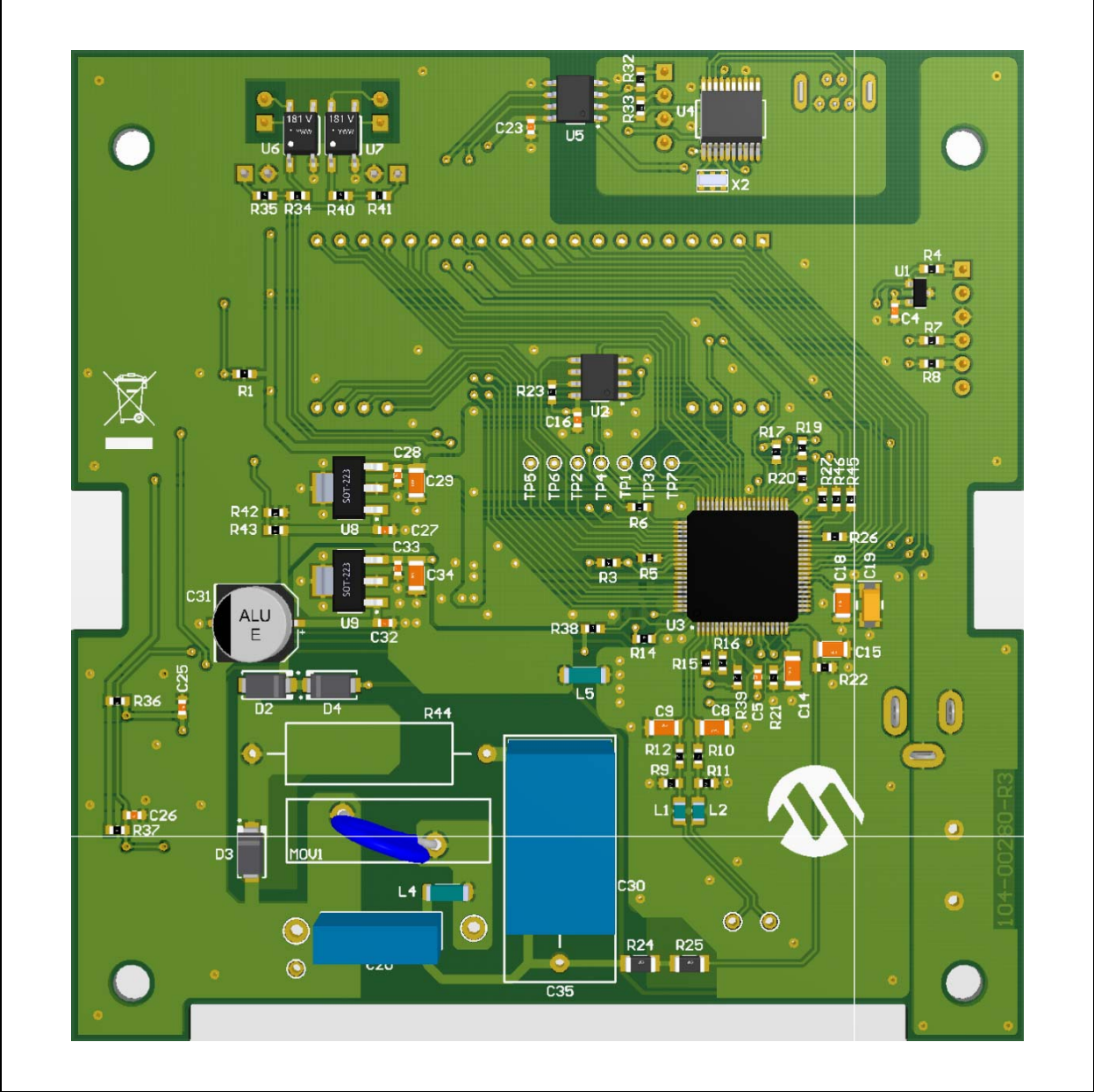


A.10 BOARD – TOP 3D



MCP3901 and PIC18F65J90 Energy Meter Reference Design

A.11 BOARD – BOTTOM 3D



Appendix B. Bill of Materials (BOM)

TABLE B-1: BILL OF MATERIALS (BOM)

Qty	Reference	Description	Manufacturer	Part Number
20	C1, C2, C5, C6 C7, C8, C12, C14, C15, C17, C18, C19, C20, C25, C29, C30, C31, C33, C34, C35	CAP CER .1UF 25V 10% X7R 0603	Murata Electronics®	GRM188R71E104KA01D
2	C3, C4	CAP CER .1UF 25V X7R 1206 FO	KEMET®	C1206F104K3RACTU
1	C9	CAP .47UF 305VAC Lead Spacing 22.5 mm, WxHxL = 10.5 x 16.5 x 26.5	EPCOS Inc.	B32933B3474K000
1	C10	CAP 10UF 16V ELECT FC SMD	Panasonic® - ECG	EEE-FC1C100R
1	C11	CAP 470UF 25V ELECT FC SMD	Panasonic - ECG	EEE-FC1E471P
2	C13, C26	CAP CER 10UF 6.3V X5R 0603	Murata Electronics	GRM188R60J106ME47D
5	C16, C21, C22, C23, C24	CAP CER 47000PF 25V 10% X7R 0603	Murata Electronics	GRM188R71473KA01D
2	C27, C28	CAP CER 27PF 50V 5% C0G 0603	TDK Corporation	C1608C0G1H270J
2	D1, D2	DIODE SCHOTTKY 40V 1A SMB	ON Semiconductor®	MBRS140T3G
1	D3	DIODE ZENER 15V 1.5W SMA	ON Semiconductor	BZG03C15G
2	D4, D6	LED 1.6X0.8MM 625NM RED CLR SMD	Kingbright Corp.	APT1608EC
1	D7	LED 2X1.2MM RD/GN WTR CLR SMD	Kingbright Corp.	APHBM2012SURKCGKC
1	J1	CONN POWERJACK MINI R/A T/H	CUI Inc.	PJ-102B
3	L1, L2, L3	FERRITE 300MA 150 OHM 1806 SMD	Laird-Signal Integrity Products	LI1806C151R-10
2	L4, L5	FERRITE 300MA 150 OHM 1806 SMD	Laird-Signal Integrity Products	LI1806C151R-10
1	LCD1	Energy Meter LCD Display	Deepakshi Display Devices	DP-093
1	MOV 1	VARISTOR 275V RMS 20MM RADIAL	EPCOS Inc.	S20K275E2
1	P1	6 X 1 Header 2.54 mm on center 6 mm/2.5 mm	Samtec	TSW-106-07-G-S
1	PCB	RoHS Compliant Bare PCB, MCP3901 PIC18F65J90 Shunt Meter Ref Des	—	104-00342
1	Q1	IC REG LDO 3.3V 250MA SOT23-3	Microchip Technology Inc.	MCP1700T-3302E/TT
2	R1, R2	RES 10.0 OHM 1/10W 1% 0603 SMD	Panasonic - ECG	ERJ-3EKF10R0V
4	R4, R5, R7, R10	RES 1.00K OHM 1/8W 1% 0805 SMD	Panasonic - ECG	ERJ-6ENF1001V
2	R8, R9	RES 332K OHM 1/4 1% 1206 SMD	YAGEO Corp.	RC1206FR-07332KL

Note 1: The components listed in this Bill of Materials are representative of the PCB assembly. The released BOM used in manufacturing uses all RoHS-compliant components.

MCP3901 and PIC18F65J90 Energy Meter Reference Design

TABLE B-1: BILL OF MATERIALS (BOM) (CONTINUED)

Qty	Reference	Description	Manufacturer	Part Number
1	R11	RES 100 OHM 1W 5% 2512 SMD	Panasonic - ECG	ERJ-1TNF1000U
2	R13, R15	RES 4.70K OHM 1/10W 1% 0603 SMD	Panasonic - ECG	ERJ-3EKF4701V
2	R14, R16	RES 1.00K OHM 1/10W 1% 0603 SMD	Panasonic - ECG	ERJ-3EKF1001V
1	R17	RES 10.0K OHM 1/10W 1% 0603 SMD	Panasonic - ECG	ERJ-3EKF1002V
2	R18, R21	RES 100 OHM 1/10W 1% 0603 SMD	Panasonic - ECG	ERJ-3EKF1000V
2	R19, R22	RES 698 OHM 1/10W 1% 0603 SMD	Rohm Semiconductor	MCR03EZPF6980
3	R23, R24, R25	RES 470 OHM 1/10W 1% 0603 SMD	Panasonic - ECG	ERJ-3EKF4700V
3	SW1, SW2, SW3	SWITCH TACT 6MM 230GF H=4.3MM	Omron Electronics	B3S-1002P
1	TP5	Wire Test Point 0.3" Length	Component Corporation	PJ-202-30
1	U1	IC ENERGY METER SSOP-20	Microchip Technology Inc.	MCP3901AO-I/SS
1	U2	IC REG LDO 5V 250MA SOT-223-3	Microchip Technology Inc.	MCP1703-5002E/DB
1	U3	64/80-Pin, High-Performance Microcontrollers with LCD Driver and nanoWatt Technology TQFP-64	Microchip Technology Inc.	PIC18F65J90-I/PTY
1	U4	256K SPI Bus Serial EEPROM SOIC-8	Microchip Technology Inc.	25LC256-I/SN
2	U6, U7	PHOTOCOUPLER DARL OUT 4-SMD	Sharp@ Electronic Corp.	PC36NJ0000F
1	U9	CONN RUGGED USB RCPT VERT MINI B	Amphenol Commercial	MUSBB55104
1	U10	IC USB TO UART SSOP-20	Microchip Technology Inc.	MCP2200-I/SS
1	U11	IC ISOLATOR DIGITAL DUAL 8-SOIC	Analog Devices Inc.	ADUM1201CRZ-RL7
1	X1	CRYSTAL 4.000 MHZ 18PF SMD	Abrakon Corporation	ABLS-4.000MHZ-B4-T
1	X2	CER RESONATOR 12.0MHZ SMD	Murata Electronics	CSTCE12M0G55-R0

Note 1: The components listed in this Bill of Materials are representative of the PCB assembly. The released BOM used in manufacturing uses all RoHS-compliant components.

TABLE B-2: BILL OF MATERIALS (COMPONENTS NOT INSTALLED)

Qty	Reference	Description	Manufacturer	Part Number
1	C32	CAP CER .1UF 25V 10% X7R 0603	—	—
1	D5	DO NOT INSTALL	—	—
2	J2, J3	DO NOT INSTALL	—	—
2	R3, R6	DO NOT INSTALL	—	—
1	R12	DO NOT INSTALL	—	—
1	R20	RES 698 OHM 1/10W 0603 SMD	—	—
1	U5	Microcontroller Supervisory Circuit with Open Drain Output SOT23-3	—	—
1	C32	CAP CER .1UF 25V 10% X7R 0603	—	—

Note 1: The components listed in this Bill of Materials are representative of the PCB assembly. The released BOM used in manufacturing uses all RoHS-compliant components





MICROCHIP

Worldwide Sales and Service

AMERICAS

Corporate Office
2355 West Chandler Blvd.
Chandler, AZ 85224-6199
Tel: 480-792-7200
Fax: 480-792-7277
Technical Support:
<http://www.microchip.com/support>
Web Address:
www.microchip.com

Atlanta
Duluth, GA
Tel: 678-957-9614
Fax: 678-957-1455

Boston
Westborough, MA
Tel: 774-760-0087
Fax: 774-760-0088

Chicago
Itasca, IL
Tel: 630-285-0071
Fax: 630-285-0075

Cleveland
Independence, OH
Tel: 216-447-0464
Fax: 216-447-0643

Dallas
Addison, TX
Tel: 972-818-7423
Fax: 972-818-2924

Detroit
Farmington Hills, MI
Tel: 248-538-2250
Fax: 248-538-2260

Indianapolis
Noblesville, IN
Tel: 317-773-8323
Fax: 317-773-5453

Los Angeles
Mission Viejo, CA
Tel: 949-462-9523
Fax: 949-462-9608

Santa Clara
Santa Clara, CA
Tel: 408-961-6444
Fax: 408-961-6445

Toronto
Mississauga, Ontario,
Canada
Tel: 905-673-0699
Fax: 905-673-6509

ASIA/PACIFIC

Asia Pacific Office
Suites 3707-14, 37th Floor
Tower 6, The Gateway
Harbour City, Kowloon
Hong Kong
Tel: 852-2401-1200
Fax: 852-2401-3431

Australia - Sydney
Tel: 61-2-9868-6733
Fax: 61-2-9868-6755

China - Beijing
Tel: 86-10-8569-7000
Fax: 86-10-8528-2104

China - Chengdu
Tel: 86-28-8665-5511
Fax: 86-28-8665-7889

China - Chongqing
Tel: 86-23-8980-9588
Fax: 86-23-8980-9500

China - Hangzhou
Tel: 86-571-2819-3187
Fax: 86-571-2819-3189

China - Hong Kong SAR
Tel: 852-2401-1200
Fax: 852-2401-3431

China - Nanjing
Tel: 86-25-8473-2460
Fax: 86-25-8473-2470

China - Qingdao
Tel: 86-532-8502-7355
Fax: 86-532-8502-7205

China - Shanghai
Tel: 86-21-5407-5533
Fax: 86-21-5407-5066

China - Shenyang
Tel: 86-24-2334-2829
Fax: 86-24-2334-2393

China - Shenzhen
Tel: 86-755-8203-2660
Fax: 86-755-8203-1760

China - Wuhan
Tel: 86-27-5980-5300
Fax: 86-27-5980-5118

China - Xian
Tel: 86-29-8833-7252
Fax: 86-29-8833-7256

China - Xiamen
Tel: 86-592-2388138
Fax: 86-592-2388130

China - Zhuhai
Tel: 86-756-3210040
Fax: 86-756-3210049

ASIA/PACIFIC

India - Bangalore
Tel: 91-80-3090-4444
Fax: 91-80-3090-4123

India - New Delhi
Tel: 91-11-4160-8631
Fax: 91-11-4160-8632

India - Pune
Tel: 91-20-2566-1512
Fax: 91-20-2566-1513

Japan - Osaka
Tel: 81-66-152-7160
Fax: 81-66-152-9310

Japan - Yokohama
Tel: 81-45-471-6166
Fax: 81-45-471-6122

Korea - Daegu
Tel: 82-53-744-4301
Fax: 82-53-744-4302

Korea - Seoul
Tel: 82-2-554-7200
Fax: 82-2-558-5932 or
82-2-558-5934

Malaysia - Kuala Lumpur
Tel: 60-3-6201-9857
Fax: 60-3-6201-9859

Malaysia - Penang
Tel: 60-4-227-8870
Fax: 60-4-227-4068

Philippines - Manila
Tel: 63-2-634-9065
Fax: 63-2-634-9069

Singapore
Tel: 65-6334-8870
Fax: 65-6334-8850

Taiwan - Hsin Chu
Tel: 886-3-5778-366
Fax: 886-3-5770-955

Taiwan - Kaohsiung
Tel: 886-7-536-4818
Fax: 886-7-330-9305

Taiwan - Taipei
Tel: 886-2-2500-6610
Fax: 886-2-2508-0102

Thailand - Bangkok
Tel: 66-2-694-1351
Fax: 66-2-694-1350

EUROPE

Austria - Wels
Tel: 43-7242-2244-39
Fax: 43-7242-2244-393

Denmark - Copenhagen
Tel: 45-4450-2828
Fax: 45-4485-2829

France - Paris
Tel: 33-1-69-53-63-20
Fax: 33-1-69-30-90-79

Germany - Munich
Tel: 49-89-627-144-0
Fax: 49-89-627-144-44

Italy - Milan
Tel: 39-0331-742611
Fax: 39-0331-466781

Netherlands - Drunen
Tel: 31-416-690399
Fax: 31-416-690340

Spain - Madrid
Tel: 34-91-708-08-90
Fax: 34-91-708-08-91

UK - Wokingham
Tel: 44-118-921-5869
Fax: 44-118-921-5820

11/29/11