

# ALUMINUM HOLDERS CONNECTED IN SERIES

## ELIMINATES WIRING · LABOR SAVING

Features pre-connected jumper strap insulated from the Aluminum base. Batteries held in series circuit without need of additional wiring.

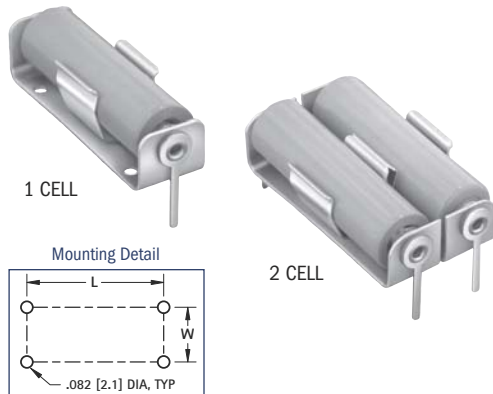


CAT. NO.	HOLDS NO. OF CELLS	BATTERY CROSS REFERENCE		
		IEC	ANSI/NEDA	
<b>"AA" CELL</b>		( BATTERY .531 (13.4) O.D. × 1.906 (48.4) L ) SIZE .565 (14.5) 1.988 (50.5)		
146	2	LR6	15A	Energizer, Duracell, Panasonic, Sanyo, Varta, Rayovac, Tadiran
147	3			
148	4			
<b>"C" CELL</b>		( BATTERY .875 (22.2) O.D. × 1.875 (47.6) L ) SIZE 1.125 (28.6) 1.969 (50.0)		
149	2	LR14	14A	Energizer, Duracell, Panasonic, Sanyo, Varta, Rayovac, Tadiran
150	3			
151	4			
<b>"D" CELL</b>		( BATTERY 1.187 (30.1) O.D. × 2.312 (58.7) L ) SIZE 1.375 (34.9) 2.412 (61.3)		
152	2	LR20	13A	Energizer, Duracell, Panasonic, Sanyo, Varta, Rayovac, Tadiran
153	3			
158	4			

## ALUMINUM HOLDERS WITH PC LUGS

### ELIMINATES WIRING · LABOR SAVING

For printed circuitry we have standardized our most popular holders with PC Lugs. Choice of single or multiple holders "AA" assembled with Cat. No. 4002 lug. "C" and "D" assembled with Cat. No. 4003 lug.

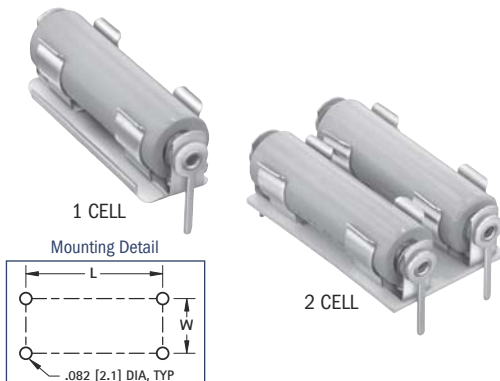


CAT. NO.	HOLDS NO. OF CELLS	MOUNTING HOLE DETAILS		BATTERY CROSS REFERENCE	
		L	W	IEC	ANSI/NEDA
<b>"AA" CELL</b>		( BATTERY .531 (13.4) O.D. × 1.906 (48.4) L ) SIZE .565 (14.5) 1.988 (50.5)			
2222	1	2.250 (57.2)	—	LR6	15A
2223	2	2.250 (57.2)	.625 (15.9)		
<b>"C" CELL</b>		( BATTERY .875 (22.2) O.D. × 1.875 (47.6) L ) SIZE 1.125 (28.6) 1.969 (50.0)			
2224	1	2.218 (56.3)	—	LR14	14A
2225	2	2.218 (56.3)	1.000 (25.4)		
<b>"D" CELL</b>		( BATTERY 1.187 (30.1) O.D. × 2.312 (58.7) L ) SIZE 1.375 (34.9) 2.412 (61.3)			
2226	1	2.687 (68.3)	—	LR20	13A
2227	2	2.687 (68.3)	1.312 (33.3)		

## STEEL HOLDERS WITH PC LUGS

### ELIMINATES WIRING · LABOR SAVING

For printed circuitry we have standardized our most popular holders with PC Lugs. Choice of single or multiple holders "AA" assembled with Cat. No. 4002 lug. "C" and "D" assembled with Cat. No. 4003 lug.



CAT. NO.	HOLDS NO. OF CELLS	MOUNTING HOLE PATTERN		BATTERY CROSS REFERENCE	
		L	W	IEC	ANSI/NEDA
<b>"AA" CELL</b>		( BATTERY .531 (13.4) O.D. × 1.906 (48.4) L ) SIZE .565 (14.5) 1.988 (50.5)			
2228	1	2.203 (56.0)	—	LR6	15A
2229	2	2.203 (56.0)	.750 (19.1)		
<b>"C" CELL</b>		( BATTERY .875 (22.2) O.D. × 1.875 (47.6) L ) SIZE 1.125 (28.6) 1.969 (50.0)			
2230	1	2.343 (59.5)	—	LR14	14A
2231	2	2.343 (59.5)	1.187 (30.2)		
<b>"D" CELL</b>		( BATTERY 1.187 (30.1) O.D. × 2.312 (58.7) L ) SIZE 1.375 (34.9) 2.412 (61.3)			
2232	1	2.625 (66.7)	—	LR20	13A
2233	2	2.625 (66.7)	1.562 (39.7)		