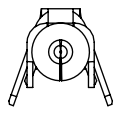


DO NOT SCALE FROM THIS PRINT



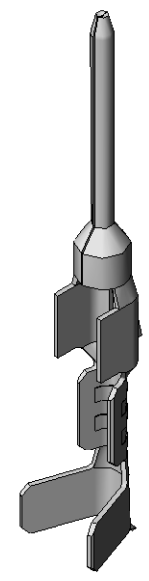
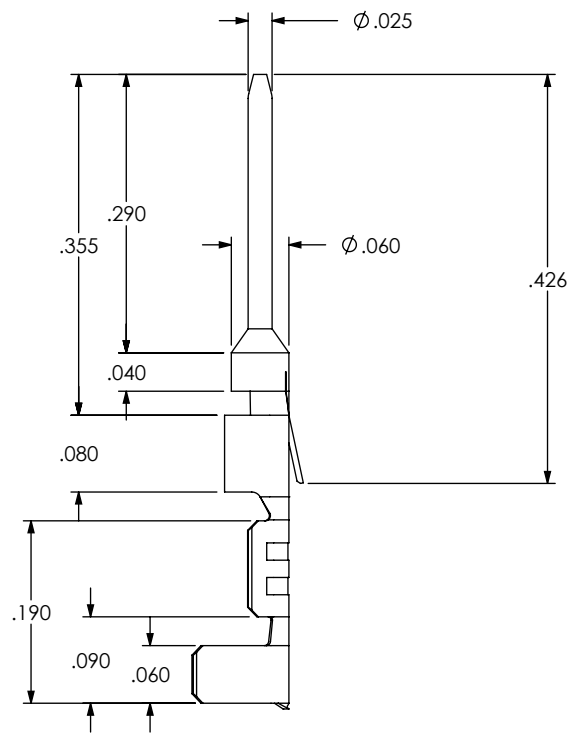
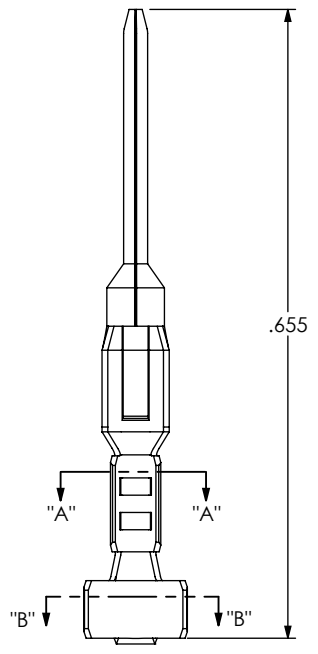
ALL DIMENSIONS ARE REFERENCE
(SEE T-TM74-X-XX-X FOR CONTROL PRINT)

T1M74-X-XX-X

SUPPLIED
-L: LOOSE
-R: REEL

PLATING SPECIFICATION
-F: FLASH SELECTIVE GOLD
-L: LIGHT SELECTIVE GOLD
-S: SELECTIVE GOLD

LEAD STYLE
-01: 26-30 AWG
-02: 20-24 AWG
-03: 28-30 AWG (PTFE/FEP)



UNLESS OTHERWISE SPECIFIED,
DIMENSIONS ARE IN INCHES.
TOLERANCES ARE:
DECIMALS ANGLES
.XX: $\pm .01$ 2°
.XXX: $\pm .005$
.XXXX: $\pm .0020$

PROPRIETARY NOTE
THIS DOCUMENT CONTAINS INFORMATION
CONFIDENTIAL AND PROPRIETARY TO
SAMTEC, INC. AND SHALL NOT BE REPRODUCED
OR TRANSFERRED TO OTHER DOCUMENTS OR
DISCLOSED TO OTHERS OR USED FOR ANY
PURPOSE OTHER THAN THAT WHICH IT WAS
OBTAINED WITHOUT THE EXPRESSED WRITTEN
CONSENT OF SAMTEC, INC.

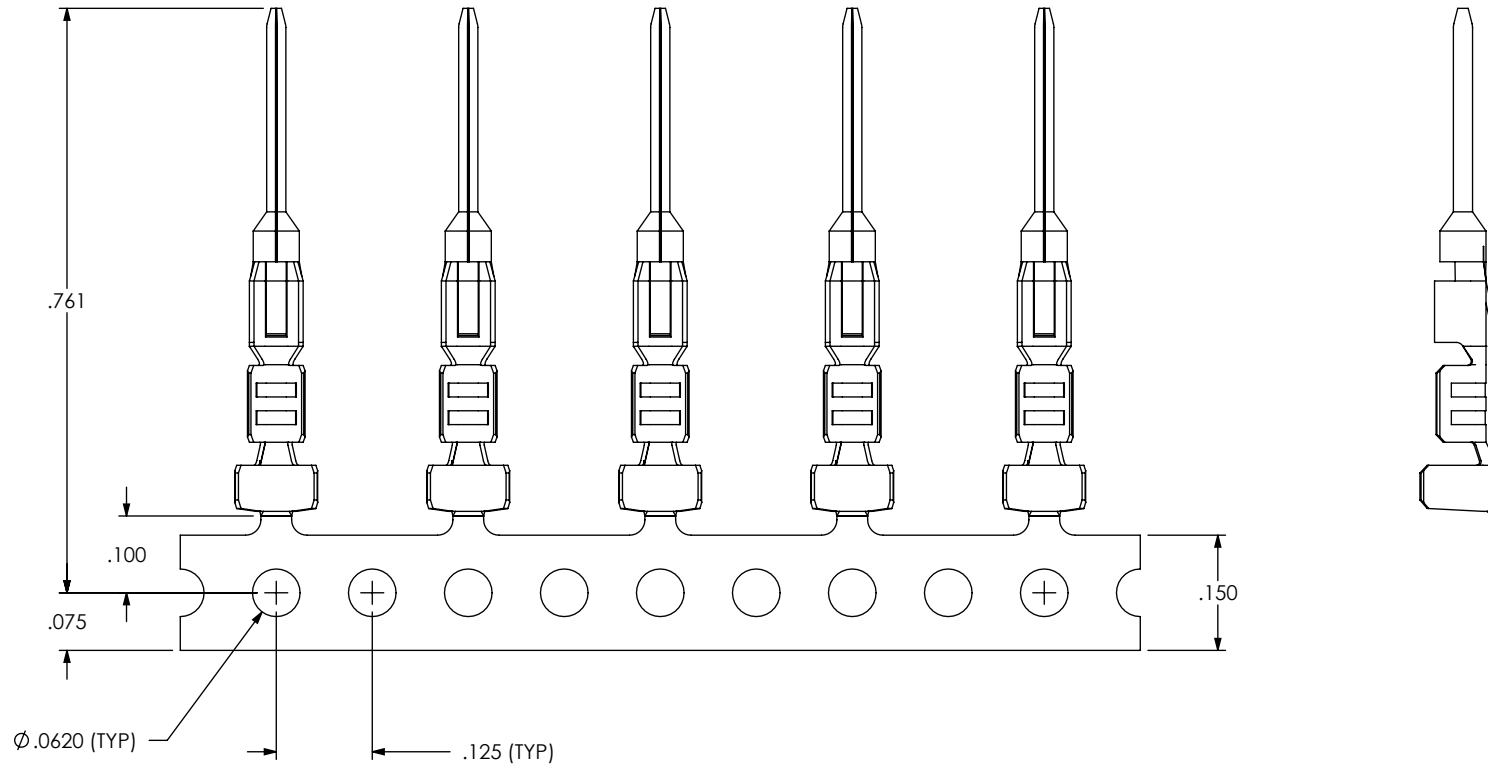


520 PARK EAST BLVD, NEW ALBANY, IN 47150
PHONE: 812-944-6733 FAX: 812-948-5047
e-Mail: info@SAMTEC.com code: 55322

MATERIAL: DO NOT SCALE DRAWING SHEET SCALE: 2:1
PHOS BRONZE
THICKNESS: .0060 \pm .0003

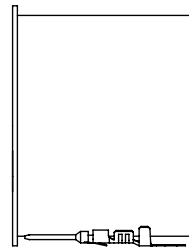
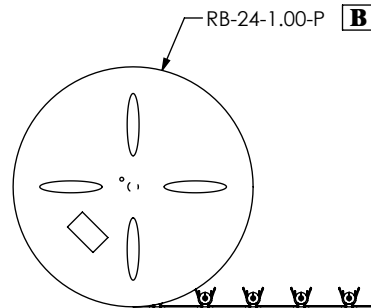
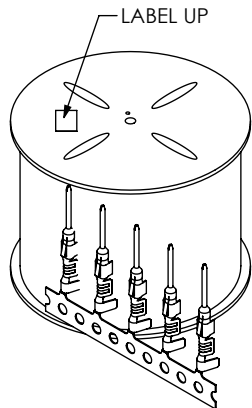
DESCRIPTION:
.100" C.L. DISCRETE WIRE TERMINAL
DWG. NO. T1M74-X-XX-X


CARRIER SPECIFICATIONS



REEL SPECIFICATIONS

PLATED T1M74 PARTS ARE TO BE UNWOUND THEN REWOUND AND COUNTED.
 15,300+100/-0 PCS POSITIONED AS SHOWN ON SAMTEC REEL WITH VIEWPORTS.
 LABELED T1M74 WITH APPROPRIATE PLATE CALL OUT AND LABEL PLACED AS SHOWN.
 MAXIMUM OF 2 SPLICES PER REEL, SPLICES ARE NOT TO BE CONNECTED.
 NUMBER OF SPLICES TO BE MARKED ON EACH REEL.
 REELED PARTS TO BE INTERLEAVED WITH PAPER BETWEEN EACH LAYER OF PARTS.
 SECURELY CONNECT INTERLEAF SPLICE.
 OUTER WRAP SHALL RECEIVE RB-24-1.00-P PROTECTIVE REEL BAND. **B**



| | | |
|--|---|---------------------|
| <p>PROPRIETARY NOTE THIS DOCUMENT CONTAINS INFORMATION CONFIDENTIAL AND PROPRIETARY TO SAMTEC, INC. AND SHALL NOT BE REPRODUCED OR TRANSFERRED TO OTHER DOCUMENTS OR DISCLOSED TO OTHERS OR USED FOR ANY PURPOSE OTHER THAN THAT WHICH IT WAS OBTAINED WITHOUT THE EXPRESSED WRITTEN CONSENT OF SAMTEC, INC.</p> <p>DO NOT SCALE DRAWING</p> <p>SHEET SCALE: 4:1</p> |  | |
| | <p>520 PARK EAST BLVD, NEW ALBANY, IN 47150 PHONE: 812-944-6733 FAX: 812-948-5047 e-Mail: info@SAMTEC.com code: 55322</p> | |
| | <p>DESCRIPTION: .100" C.L. DISCRETE WIRE TERMINAL</p> | |
| | <p>DWG. NO. T1M74-X-XX-X</p> | |
| <p>BY: VICKY Z 01/13/2010</p> | | <p>SHEET 2 OF 2</p> |