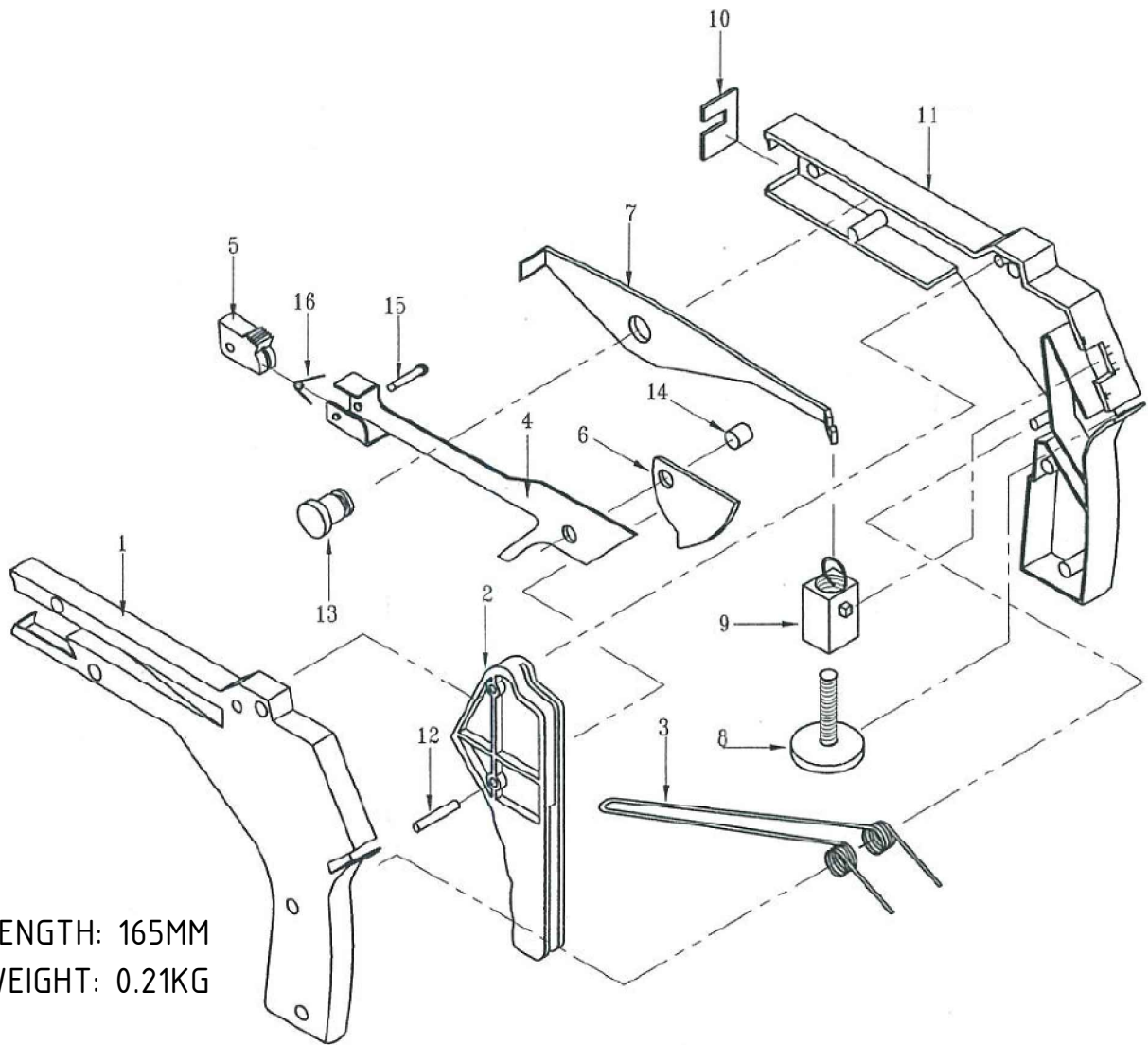


CUSTOMER MCM FILE NO. 21-3225

THIS DRAWING AND SPECIFICATIONS, HEREIN ARE THE CONFIDENTIAL PROPERTY OF SAMAR AND SHALL NOT BE REPRODUCED OR COPIED OR DISCLOSED IN WHOLE OR IN PART WITHOUT WRITTEN PERMISSION.

REV.	DESCRIPTION	DRAWN / DATE	APPROVED / DATE
0	INITIAL RELEASE	FROS 07/10/2014	FROS 07/10/2014

NO.	DESCRIPTION	Q`TY
1	BODY(1)	1
2	TRIGGER	1
3	SPRING	1
4	MOVING PLATE	1
5	CABLE TIE HOLDER	1
6	MOVING PLATE	1
7	BLADE	1
8	SETTING KNOB	1
9	INDICATOR BLOCK	1
10	GUIDE	1
11	BODY(2)	1
12	PIN	1
13	RIVET	1
14	PIN	1
15	RIVET	1
16	SPRING	1



LENGTH: 165MM
WEIGHT: 0.21KG

- For plastic cable ties from 2.2~4.8 mm wide
- Adjustable tension
- Automatically secures and cuts ties
- Simple squeeze operation

DIMENSIONS ARE IN mm [INCH]	TOLERANCES ARE FRACTIONS DECIMALS ANGLES	MATERIAL	MCM	P/N	21-3225	DRAWN	FROS	DATE	07/10/2014
MOLD NO.	.x ± 0.20 [0.008]	FINISH		PROJECT NO.					
21-3225	.xx ± 0.12 [0.005]	COLOR		SCALE	N/A	SIZE	A4	SHEET	1 OF 1

Automatic tensioning tool