

# Pull Chain, Single Pole



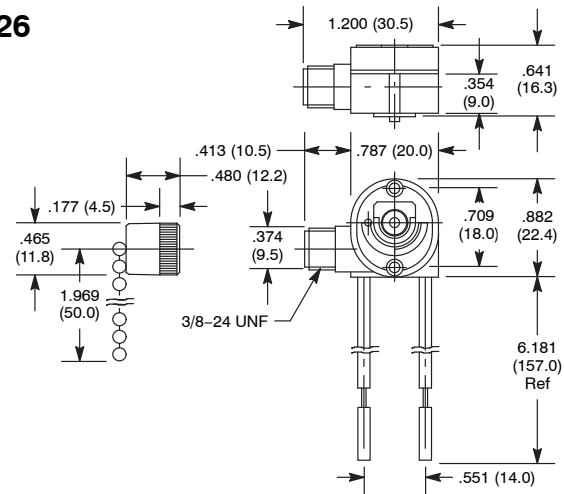
## Features

- Steel Chain w/Rope Cord



NTE Type No.	Circuitry	Action		Base	Cover		Diag No.
					Material	Color	
54-538	SPST	ON	OFF	Nylon 66	Nylon 66	Transparent	S26
54-539	SPST	ON	OFF	Nylon 66	Nylon 66	Black	S26

S26



## Specifications

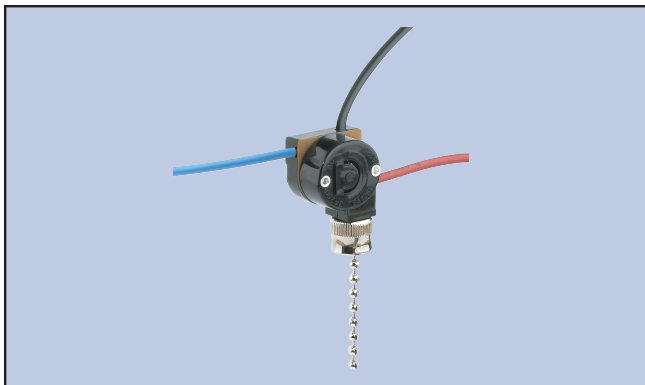
- Current Rating:** 6A 125VAC, 3A 250VAC
- Contact Resistance:** 50 Milliohms initial (max.)
- Insulation Resistance:** 100 Megohms (min.) at 500VDC
- Dielectric Strength:** 1000V RMS (min.) for 1 minute
- Operation Force:** 400 plus/minus 200 gram
- Temperature Rating:** +32° to +149°F (0° to +65°C)
- Electrical Life:** 6000 cycles
- Mechanical Life:** 50,000 cycles
- Terminal Type:** 18 AWG, 6" length
- Mounting Hole:** .393 (10.0)

# Pull Chain, Single Pole



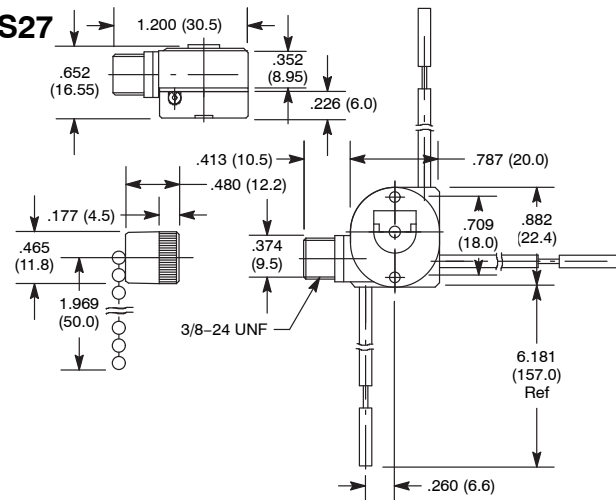
## Features

- Steel Chain w/Rope Cord
- For Use in Ceiling Fan Applications



NTE Type No.	Circuitry	Action			Base	Cover		Diag No.	
						Material	Color		
54-540	SP4T	OFF	ON	ON	ON	Nylon 66	Nylon 66	Black	S27

S27



## Specifications

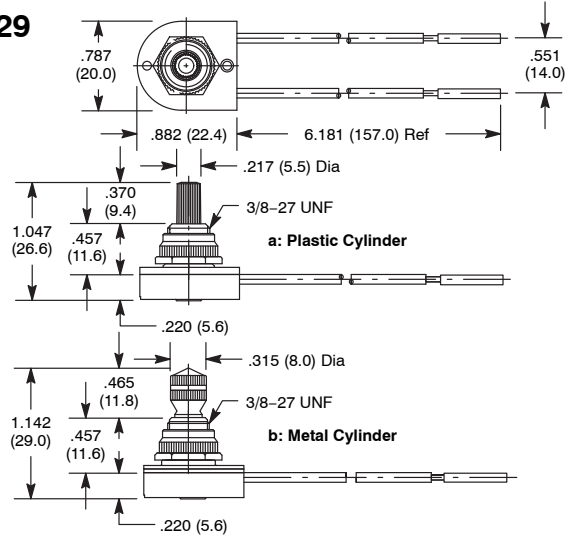
- Current Rating:** 6A 125VAC, 3A 250VAC
- Contact Resistance:** 50 Milliohms initial (max.)
- Insulation Resistance:** 100 Megohms (min.) at 500VDC
- Dielectric Strength:** 1000V RMS (min.) for 1 minute
- Operation Force:** 400 plus/minus 200 gram
- Temperature Rating:** +32° to +149°F (0° to +65°C)
- Electrical Life:** 6000 cycles
- Mechanical Life:** 50,000 cycles
- Terminal Type:** 18 AWG, 6" length
- Mounting Hole:** .393 (10.0)

# Rotary, Two Position, Single Pole



NTE Type No.	Circuitry	Action		Cylinder	Actuator	Diag No.
54-541	SPST	ON	OFF	Nylon 66	Nylon 66	S29a
54-542	SPST	ON	OFF	Steel	Steel	S29b

S29



## Specifications

- Current Rating:** 6A 125VAC, 3A 250VAC, 1A 125VL
- Contact Resistance:** 20 Milliohms initial (max.)
- Insulation Resistance:** 100 Megohms (min.) at 500VDC
- Dielectric Strength:** 1000V RMS (min.) for 1 minute
- Operation Force:** 400 plus/minus 200 gram
- Temperature Rating:** +32° to +149°F (0° to +65°C)
- Electrical Life:** 6000 cycles
- Mechanical Life:** 50,000 cycles
- Terminal Type:** 18 AWG, 6" length
- Mounting Hole:** .393 (10.0)