



Introducing

Pauluhn™ DLL Series Linear LED for land-based rigs

Introduction:

The Pauluhn DLL Linear LED by Eaton's Crouse-Hinds is specifically designed to replace fluorescent T12, T8 and T5HO lighting on land-based and offshore drilling platforms. The rugged and durable design features the industry's most versatile and flexible mounting options. The Pauluhn DLL is the ideal solution for high vibration, impact and hose down in drilling applications.

Applications:

Land-based and offshore rigs; areas include: derrick, mast, SCR house, top drive, operator's house, power and pump stations.

Key features & benefits:

- Industry-leading efficacy: up to 130 LPW
- -40°C to +65°C ambient operating temperature
- Ultra slim (less than 3" height) low profile fixture
- Versatile ceiling/swivel, wall, flush, pole and pendant mounting options
- Standard wide and optional narrow optics for uniform illumination in control room and drill mast
- Four points of secondary retention and through feed wiring options
- Ability to withstand 2,000 psi of hose pressure from a 5 foot distance and 5G 3-axis vibration
- Emergency battery back-up (90 minutes) and surge protection options (up to 10kV)

Electrical specifications:

	2 ft.	4 ft.
Voltage	100-277 VAC/108-250 VDC; 347-480 VAC	
Amperage @ 120VAC	0.24	0.46
Wattage @ 120 VAC	29W typical	55W typical
Lumen output	3,600	7,100
Frequency	50/60 Hz	50/60 Hz
Power factor @ 100 VAC	0.90	0.95
THD	<20%	<20%

*Preliminary typical values; data subject to change.



Certifications:

NEC standards:

- Class I, Division 2, Groups A, B, C, D
- Class II, Division 1, Groups F, G - *pending*
- Class I, Zone 2
- NEMA 4X; IP66
- Marine and Wet Locations

UL standards:

- UL844 Electrical Fixture Hangers for Hazardous Locations
- UL1598 Luminaire
- UL1598A Luminaire for Installation on Marine Vessels
- UL924 for Emergency Lighting - *pending*

CSA standard:

- C22.2 No. 137

Additional certifications:

- ABS design assessed - *pending*

Materials:

Housing:

- Copper-free aluminum
- Optional Corro-free™ epoxy powder coat

Lens:

- Glass or polycarbonate
- Diffused glass or polycarbonate

Mounting:

Versatile mounting options:

- Back mount (fixed/ceiling)
- Back mount (swivel/ceiling)
- Offset ceiling mount
- Offset wall mount
- Pole mount
- Pendant mount

Easily retrofit to:

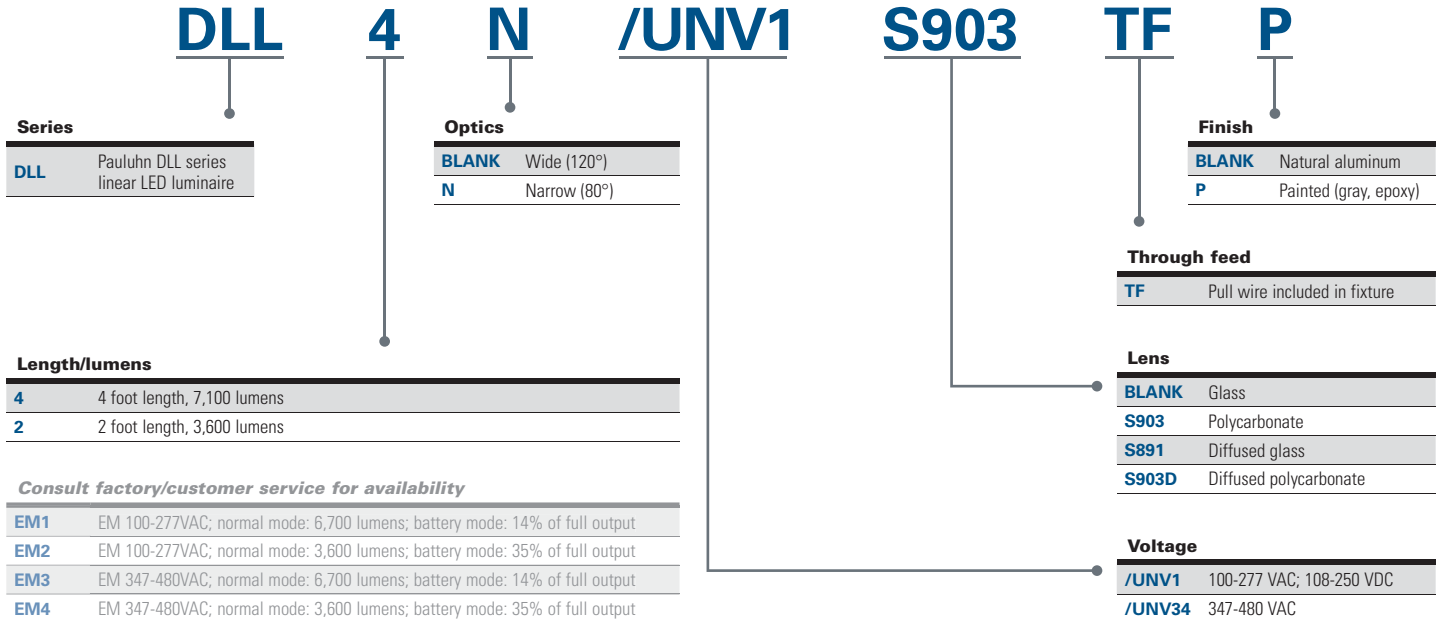
- Existing Pauluhn DuraPro and MagnaPro fluorescent light fixtures
- Rig-A-Lite and Snelson C1D2 fluorescent lighting fixtures

Ordering information

Part number example

DLL4N/UNV1 S903 TF P

DLL series linear LED, cool white, 4 foot, 1/2" hubs, 80° narrow light pattern, 100-277 VAC driver, polycarbonate lens, through feed hubs, painted



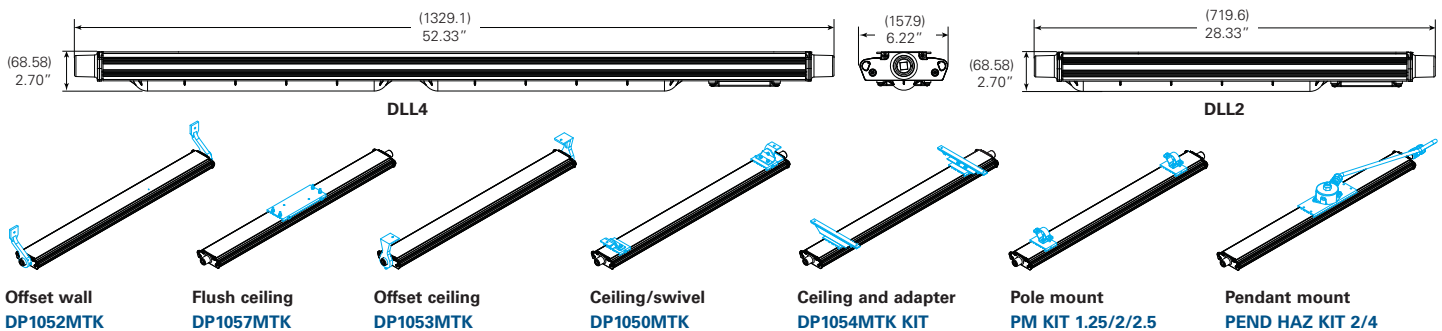
Accessories (ordered separately)

DP1057MTK	Flush/back mount back plate (<i>compatible with DuraPro</i>)
DP1050MTK	Ceiling/swivel mount (<i>compatible with DuraPro</i>)
DP1053MTK	Ceiling/wall mount offset (<i>compatible with DuraPro</i>)
DP1054MTK KIT	Ceiling mount bracket and adapter kit (<i>compatible with MagnaPro</i>)
DP1052MTK	Offset wall mount (<i>compatible with DuraPro</i>)
PM KIT 1.25	Pole mount kit, 1.25" conduit
PM KIT 2.0	Pole mount kit, 2.00" conduit
PM KIT 2.5	Pole mount kit, 2.50" conduit
PEND HAZ KIT 2	Pendant mount kit for 2 ft. linear
PEND HAZ KIT 4	Pendant mount kit for 4 ft. linear
SS KIT	Safety chain kit
VMVL/UNV1 80W 1A KIT	1 amp driver replacement kit 100-277 VAC for 4 ft. linear
VMVL/UNV34 80W 1A KIT	1 amp driver replacement kit 347-480 VAC for 4 ft. linear
VMVL/UNV1 80W 0.5A KIT	0.5 amp driver replacement kit 100-277 VAC for 2 ft. linear
VMVL/UNV34 80W 0.5A KIT	0.5 amp driver replacement kit 347-480 VAC for 2 ft. linear

Consult factory/customer service for availability

CABLE KIT 1	TECK armored cable (5 ft.) with TMCX glands
CABLE KIT 2	P Type armored cable (5 ft.) with ADE 6F glands
CABLE KIT 3	Metal clad armored cable (5 ft.) with TMCX glands
EM2 UNV1	Battery back-up 2 ft. LED kit, no cable/gland (<i>loose 3/4" entry hubs</i>)
EM2 UNV34	Battery back-up 2 ft. LED kit, no cable/gland (<i>loose 3/4" entry hubs</i>)
EM4 UNV1	Battery back-up 4 ft. LED kit, no cable/gland (<i>loose 3/4" entry hubs</i>)
EM4 UNV34	Battery back-up 4 ft. LED kit, no cable/gland (<i>loose 3/4" entry hubs</i>)
SRG UNV1	10kV/KA surge protection kit for 100-277 VAC
SRG UNV34	10kV/KA surge protection kit for 347-480 VAC
EM2 UNV1 SRG	Battery back-up 2 ft. LED with integral surge protector
EM2 UNV34 SRG	Battery back-up 2 ft. LED with integral surge protector
EM4 UNV1 SRG	Battery back-up 4 ft. LED with integral surge protector
EM4 UNV34 SRG	Battery back-up 4 ft. LED with integral surge protector

Dimensions & mounting options:



Eaton
1000 Eaton Boulevard
Cleveland, OH 44122
United States
Eaton.com

Eaton's Crouse-Hinds business
1201 Wolf Street
Syracuse, NY 13208

EATON
Powering Business Worldwide

© 2014 Eaton
All Rights Reserved
Printed in USA
Publication No. 5147-1014
October 2014

Eaton is a registered trademark.
All other trademarks are property of their respective owners.