

Printview: Ferrule; sleeve for 1 mm² / awg 18; uninsulated; electro-tin plated; electrolytic copper; gastight crimped; acc. to DIN 46228, Part 1/08.92 - Item No.: 216-103

WAGO® online catalog / eShop

Ferrule; sleeve for 1 mm² / awg 18; uninsulated; electro-tin plated; electrolytic copper; gastight crimped; acc. to DIN 46228, Part 1/08.92

Item No.: 216-103



Ferrule; sleeve for 1 mm² / awg 18; uninsulated; electro-tin plated; electrolytic copper; gastight crimped; acc. to DIN 46228, Part 1/08.92

Marking

RoHS ✓
Compliant

Business data

Supplier	WAGO
Item no.	216-103
GTIN / EAN	4017332277655
Content	1
Order amount	1,000
Customer item number	

Notes

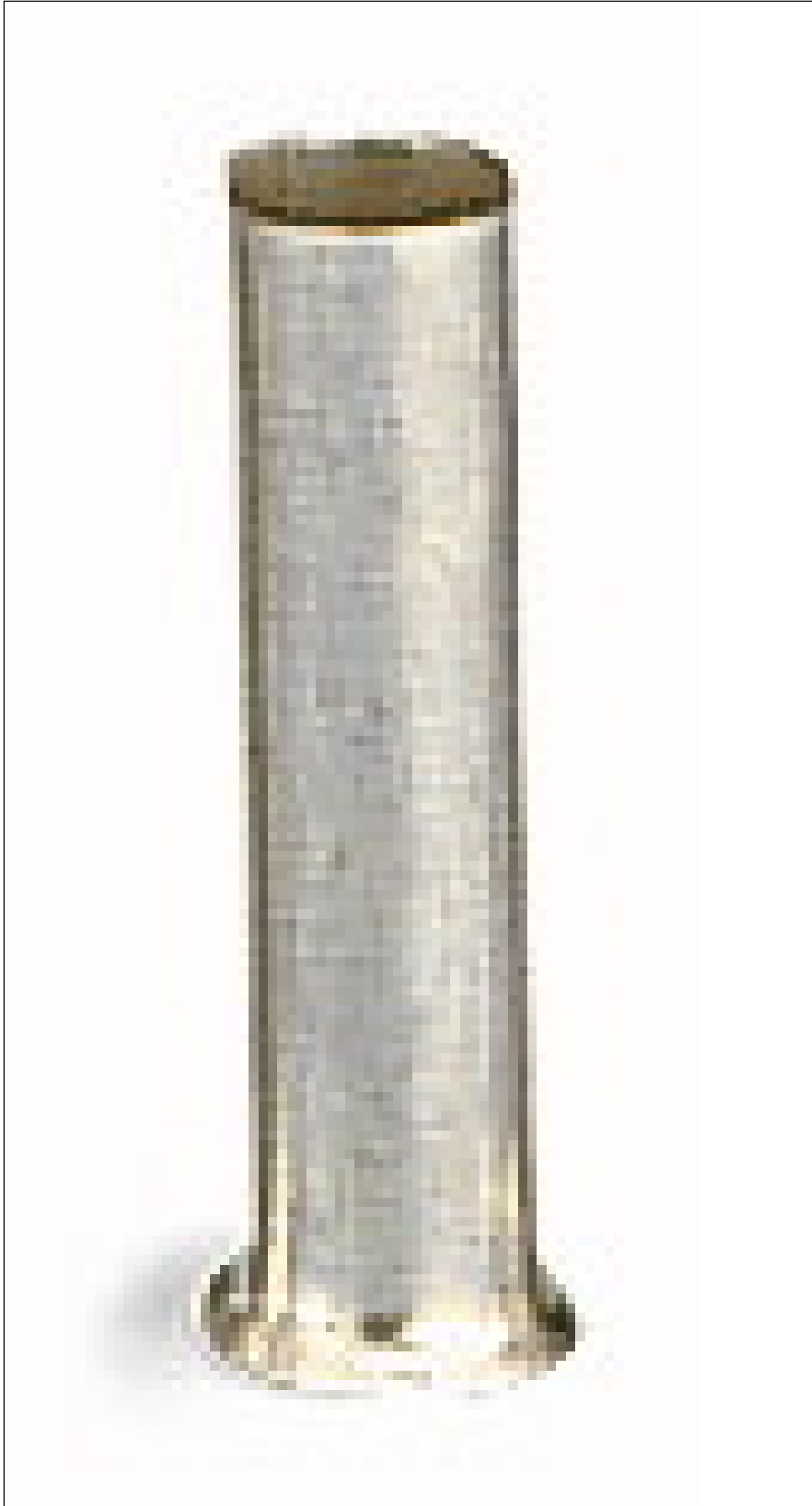
Technical data

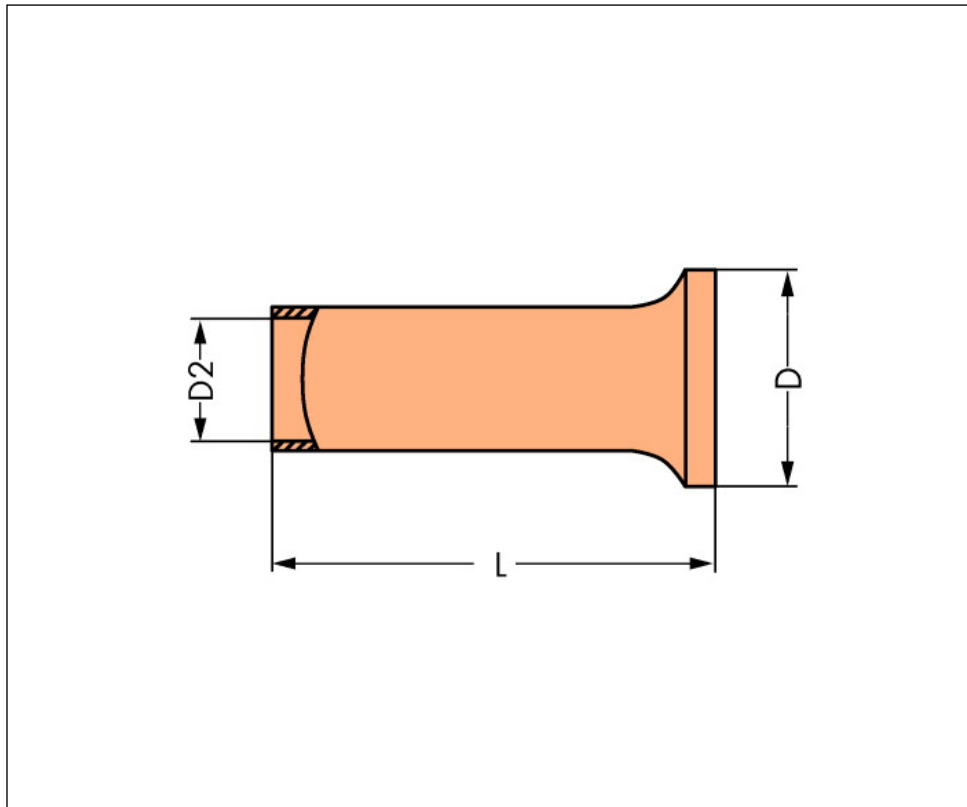
Miscellaneous

Strip length 1	8 mm / 0.31 in
Weight [g]	0.063 [g]
Diameter [mm]	2.5 [mm]
Diameter 2 [mm]	1.4 [mm]
Length [mm]	8 [mm]

Printview: Ferrule; sleeve for 1 mm² / awg 18; uninsulated; electro-tin plated; electrolytic copper; gastight crimped; acc. to DIN 46228, Part 1/08.92 - Item No.: 216-103

Images & drawings





Address

WAGO Kontakttechnik GmbH & Co. KG

Hansastr. 27

32423 Minden

Telefon: 0571/887-0

Fax: 0571/887-169

<http://www.wago.com>

© WAGO Kontakttechnik GmbH & Co. KG

Technische Änderungen und Irrtümer vorbehalten.