

PCB terminal strip; 2 solder pins/pole; 12-pole; pin spacing 5/5.08 mm / 0.2 in

Item No.: 236-412



PCB terminal strip; 2 solder pins/pole; 12-pole; pin spacing 5/5.08 mm / 0.2 in

Marking

RoHS ✓
Compliant

Business data

Supplier	WAGO
Item no.	236-412
GTIN / EAN	4044918770668
Content	1
Order amount	20
Customer item number	

Notes

Terminal strips with CAGE CLAMP® connection, screwdriver actuation parallel or perpendicular to conductor entry Also available with Ex e approval For custom terminal strip assemblies Operating tools for factory wiring 45° connection angle permits a wide range of uses and wiring options Set to metric or inch pin spacing by compressing terminal strips together or pulling them apart

Technical data

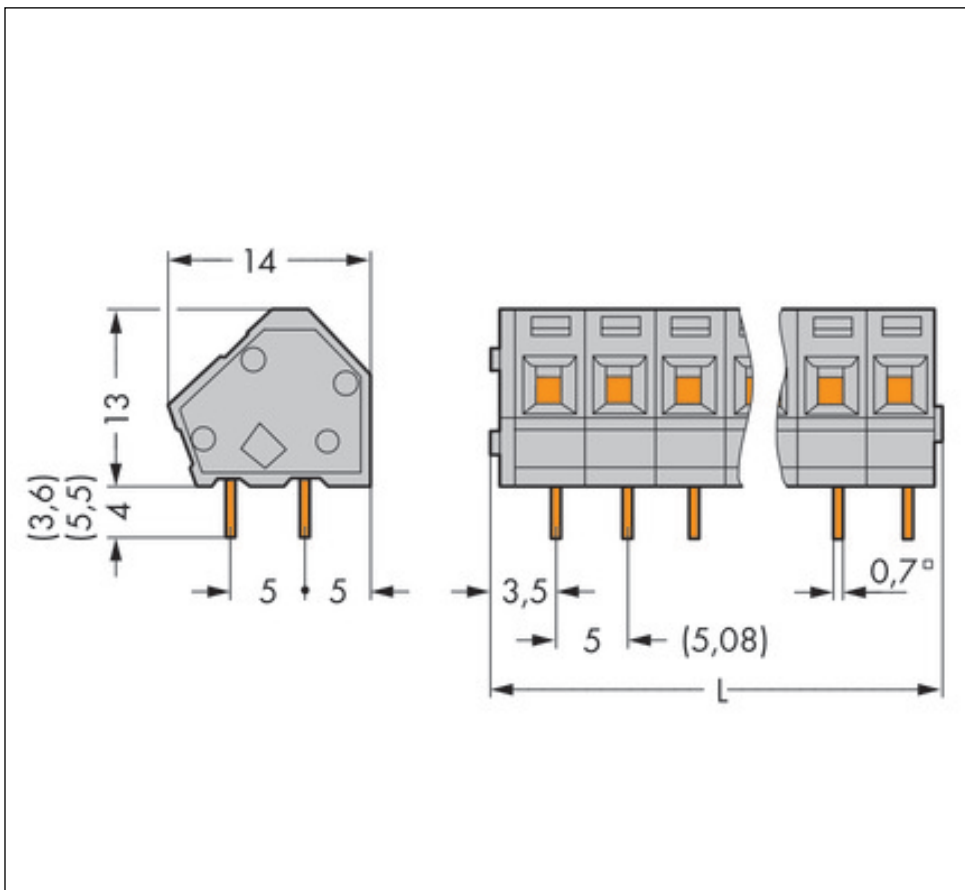
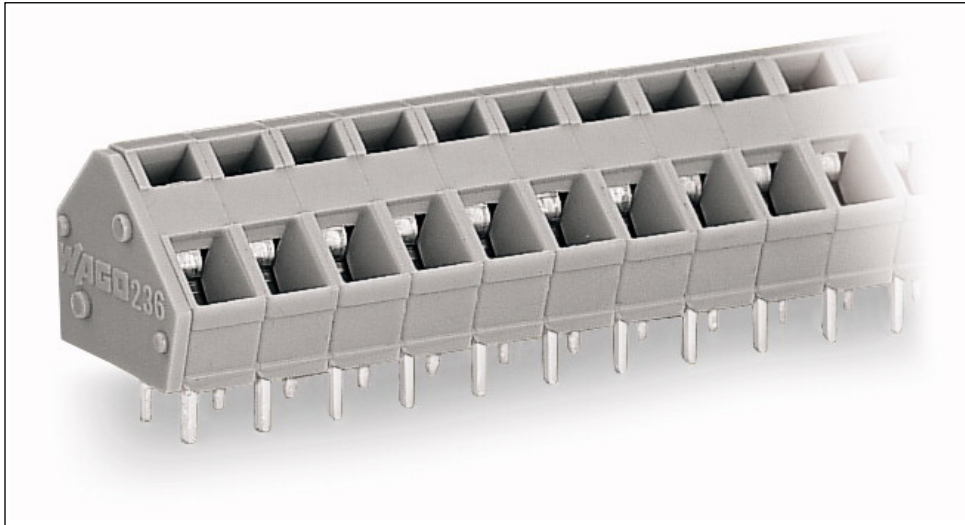
Miscellaneous

No. of poles	12
Pin Spacing	5/5.08 mm / 0.2 in
Total number of connection points	12
Total number of potentials	12
Color	gray
Ratings according to 1	IEC/EN 60664-1

Technical data	
Overvoltage category EN 1	III
Pollution degree (1)	2
Rated voltage EN (1) [V]	320 [V]
Rated surge voltage (1) [kV]	4 [kV]
Nominal current [A]	24 [A]
Overvoltage category EN 2	II
Degree of pollution (2)	2
Rated voltage EN (2) [V]	630 [V]
Rated surge voltage (2) [kV]	4 [kV]
Nominal current (2) [A]	24 [A]
Overvoltage category EN 3	III
Degree of pollution (3)	3
Rated voltage EN (3) [V]	250 [V]
Rated surge voltage (3) [kV]	4 [kV]
Nominal current (3) [A]	24 [A]
Number of individual connection objects at the product	1
Connection technology (1)	CAGE CLAMP®
Solid sizes 1	0.08 ... 2.5 mm ² / 28 ... 12 AWG
Fine-stranded wires 1	0.08 ... 2.5 mm ² / 28 ... 12 AWG
Fine-stranded wires with insulated ferrule 1	0.25 ... 1.5 mm ² / ...
Fine-stranded wires with uninsulated ferrule 1	0.25 ... 1.5 mm ² / ...
Strip length 1	5 ... 6 mm / 0.2 ... 0.24 in
Conductor entry angle to the PCB 1 [°]	45 [°]
Type of wiring	Front-/Side-entry wiring
Solder pin arrangement	in-line solder pin
Solder pin length [mm]	4 [mm]
Solder pin width A [mm]	0.7 [mm]
Solder pin width B [mm]	0.7 [mm]
Tolerance of drilled hole [mm]	1.1(+ 0.1) [mm]
Material group	I
Insulating material	Polyamide 66 (PA 66)
Flammability rating per UL 94	V0
Limit temperature range	-60 C ... 105 C
Clamping spring material	Chrome-nickel spring steel (CrNi)

Technical data	
<i>Contact material</i>	<i>Electrolytic copper (Ecu)</i>
<i>Contact plating</i>	<i>tin-plated</i>
<i>Fire load [MJ]</i>	<i>0.148 [MJ]</i>
<i>Weight [g]</i>	<i>10.42 [g]</i>
<i>Width</i>	<i>62.3 mm / 2.453 in</i>
<i>Height</i>	<i>17 mm / 0.669 in</i>
<i>Height from the surface</i>	<i>13 mm / 0.512 in</i>
<i>Length</i>	<i>14 mm / 0.551 in</i>

Images & drawings



Address

WAGO Kontakttechnik GmbH & Co. KG

Hansastr. 27

32423 Minden

Telefon: 0571/887-0

Fax: 0571/887-169

<http://www.wago.com>

© WAGO Kontakttechnik GmbH & Co. KG

Technische Änderungen und Irrtümer vorbehalten.