

# Radial Lead Micro Fuse Slow Blow



**RoHS  
Compliant**

## Environmental Specification

Operating Temperature	: -55°C to +125°C
Vibration	: MIL-STD-202G, Method 201(10-55 Hz × 3axis/no load)
Salt Spray	: MIL-STD-202G, Method 101, Test Condition B (48Hrs)
Insulation Resistance	: MIL-STD-202G, Method 302, Test Condition A (After Opening) 10,000Ω minimum
Resistance to Solder Heat	: MIL-STD-202G, Method 210, Test Condition B (10sec,at 260°C)
Thermal Shock	: MIL-STD-202G, Method 107, Test Condition B (-65°C to +125°C)



## Physical Specification

Material	
Base and Cap	: Black Thermoplastic, UL 94-V0
Round Pins	: Copper, Tin-plated

## Electrical Characteristic

Rated Current	1.5 In	2.1 In	2.75 In		4 In		10 In	
	Min.	Max.	Min.	Max.	Min.	Max.	Min.	Max.
50mA ~ 5A	60 min.	2 min.	400 ms	10 sec	150 ms	3 sec	20 ms	150 ms
6.3A ~ 10A	60 min.	2 min.	400 ms	10 sec	150 ms	3 sec	15 ms	150 ms

## Specification Table

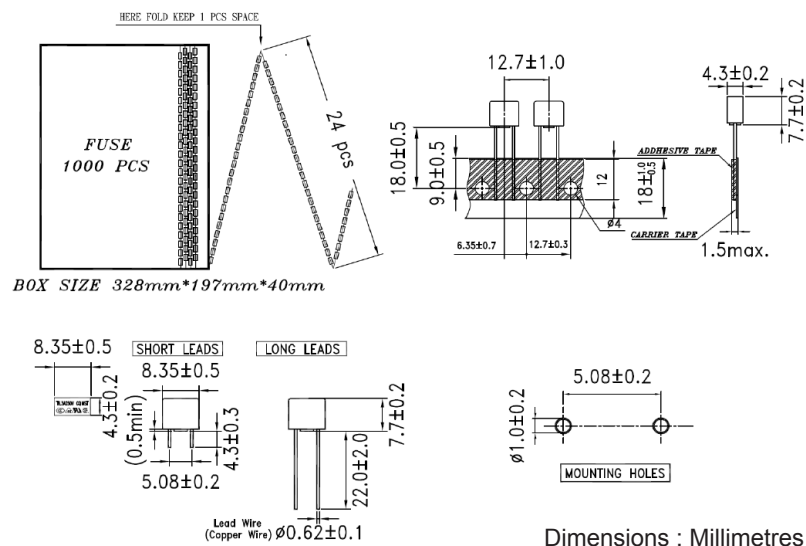
Part Number	Ampere Rating (In)	Voltage Rating (V)	Nominal Resistance Cold Ω	Max. Voltage Drop (mV)	Nominal Melting I <sup>2</sup> t A <sup>2</sup> Sec
MST 160mA 250V	160mA	250	0.8230	250	0.133100
MST 200mA 250V	200mA		0.5960		0.200000
MST 250mA 250V	250mA		0.4050	220	0.375000
MST 315mA 250V	315mA		0.2670	200	0.545700
MST 400mA 250V	400mA		0.2000	180	1.040000
MST 500mA 250V	500mA		0.1770	170	1.250000
MST 630mA 250V	630mA		0.1270	160	2.302000
MST 800mA 250V	800mA		0.0860	150	3.136000
MST 1A 250V	1 A		0.0650	140	6.500000
MST 1.25A 250V	1.25 A		0.0500	130	12.50000
MST 1.6A 250V	1.6 A		0.0370	120	18.94400
MST 2A 250V	2 A		0.0300	100	32.00000
MST 2.5A 250V	2.5 A		0.0220		37.50000
MST 3.15A 250V	3.15 A		0.0170		84.34100
MST 4A 250V	4 A		0.0120		144.0000



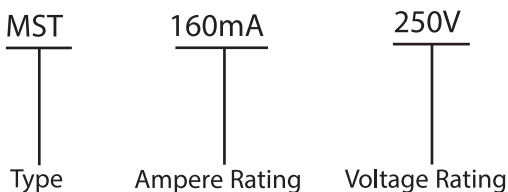
# Radial Lead Micro Fuse Slow Blow



## Mechanical Dimensions



## Part Number Explanation



**Ampere Rating :** 160mA, 200mA, 250mA, 315mA, 400mA, 500mA, 630mA, 800mA, 1A, 1.25A, 1.6A, 2A, 2.5A, 3.15A and 4A.

## Part Number Table

Description	Part Number
Radial Lead Micro Fuse, 160mA	MST 160mA 250V
Radial Lead Micro Fuse, 200mA	MST 200mA 250V
Radial Lead Micro Fuse, 250mA	MST 250mA 250V
Radial Lead Micro Fuse, 315mA	MST 315mA 250V
Radial Lead Micro Fuse, 400mA	MST 400mA 250V
Radial Lead Micro Fuse, 500mA	MST 500mA 250V
Radial Lead Micro Fuse, 630mA	MST 630mA 250V
Radial Lead Micro Fuse, 800mA	MST 800mA 250V

Description	Part Number
Radial Lead Micro Fuse, 1A	MST 1A 250V
Radial Lead Micro Fuse, 1.25A	MST 1.25A 250V
Radial Lead Micro Fuse, 1.6A	MST 1.6A 250V
Radial Lead Micro Fuse, 2A	MST 2A 250V
Radial Lead Micro Fuse, 2.5A	MST 2.5A 250V
Radial Lead Micro Fuse, 3.15A	MST 3.15A 250V
Radial Lead Micro Fuse, 4A	MST 4A 250V

**Important Notice :** This data sheet and its contents (the "Information") belong to the members of the Premier Farnell group of companies (the "Group") or are licensed to it. No licence is granted for the use of it other than for information purposes in connection with the products to which it relates. No licence of any intellectual property rights is granted. The Information is subject to change without notice and replaces all data sheets previously supplied. The Information supplied is believed to be accurate but the Group assumes no responsibility for its accuracy or completeness, any error in or omission from it or for any use made of it. Users of this data sheet should check for themselves the Information and the suitability of the products for their purpose and not make any assumptions based on information included or omitted. Liability for loss or damage resulting from any reliance on the Information or use of it (including liability resulting from negligence or where the Group was aware of the possibility of such loss or damage arising) is excluded. This will not operate to limit or restrict the Group's liability for death or personal injury resulting from its negligence. Multicomp is the registered trademark of the Group. © Premier Farnell Limited 2016.