



Main

Range of product	Modicon M171
Product or component type	Display module
Display colour	Monochrome
Supply	External source

Complementary

Display type	7 segments LED + decimal point
Number of key	8
[Us] rated supply voltage	12 V DC
Power consumption	5 W
Marking	CE
Local signalling	LED
Product compatibility	Logic controller M171 optimized
Height	74 mm
Width	32 mm
Depth	30 mm
Product weight	0.042 kg

Environment

Standards	RoHS compliant
Product certifications	CURus REACH
IP degree of protection	IP20

Offer Sustainability

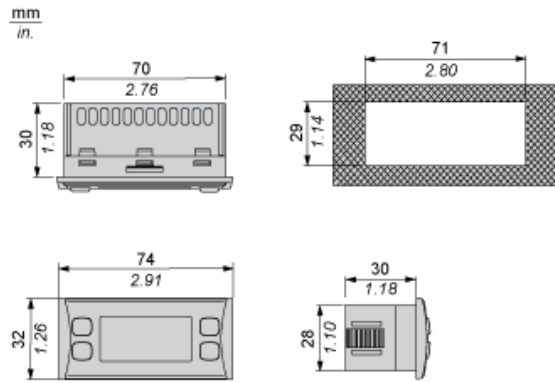
Sustainable offer status	Not Green Premium product
RoHS (date code: YYWW)	Compliant - since 1429 - Schneider Electric declaration of conformity Schneider Electric declaration of conformity

REACH

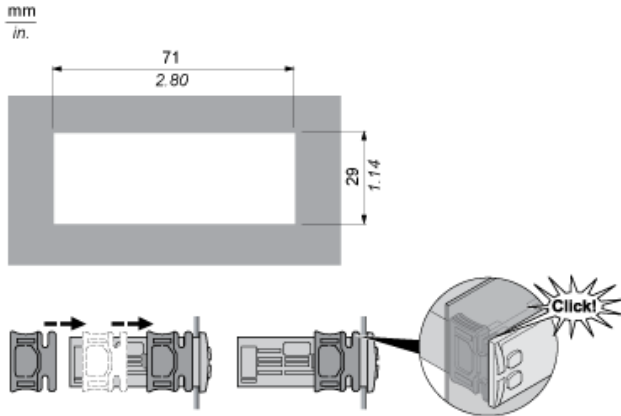
Reference not containing SVHC above the threshold

Reference not containing SVHC above the threshold

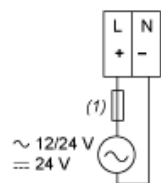
Dimensions



Mounting on Panel with the Special Brackets Provided



Power Supply



(1) Type T fuse (Controller: 1.25 A , Expansion: 1 A)

Wiring Diagram



BK : Black
BU : Blue
RD : Red