

LSHM-DV SERIES

(0.50 mm) .0197"

# HIGH-SPEED HERMAPHRODITIC STRIP

## SPECIFICATIONS

For complete specifications and recommended PCB layouts see [www.samtec.com?LSHM](http://www.samtec.com?LSHM)

**Insulator Material:** Black Liquid Crystal Polymer  
**Contact Material:** Phosphor Bronze  
**Plating:** Au or Sn over 50 μ" (1.27 μm) Ni  
**Current Rating:** 2.0 A per pin (2 adjacent pins powered)  
**Operating Temp Range:** -55 °C to +125 °C  
**RoHS Compliant:** Yes

## PROCESSING

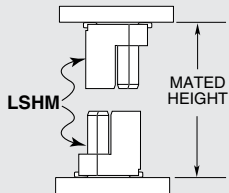
**Lead-Free Solderable:** Yes  
**SMT Lead Coplanarity:** (0.10 mm) .004" max  
**Board Stacking:** For applications requiring two or more connectors per board, contact ipg@samtec.com

## RECOGNITIONS

For complete scope of recognitions see [www.samtec.com/quality](http://www.samtec.com/quality)



## APPLICATION



LEAD STYLE	MATED HEIGHT*
-02.5 & -02.5	(5.00) .196
-02.5 & -03.0	(5.50) .217
-03.0 & -03.0	(6.00) .236
-02.5 & -04.0	(6.50) .256
-03.0 & -04.0	(7.00) .276
-04.0 & -04.0	(8.00) .315
-02.5 & -06.0	(8.50) .335
-03.0 & -06.0	(9.00) .354
-04.0 & -06.0	(10.00) .394
-06.0 & -06.0	(12.00) .472

\*Processing conditions will affect mated height.

**Note:** Some lengths, styles and options are non-standard, non-returnable.

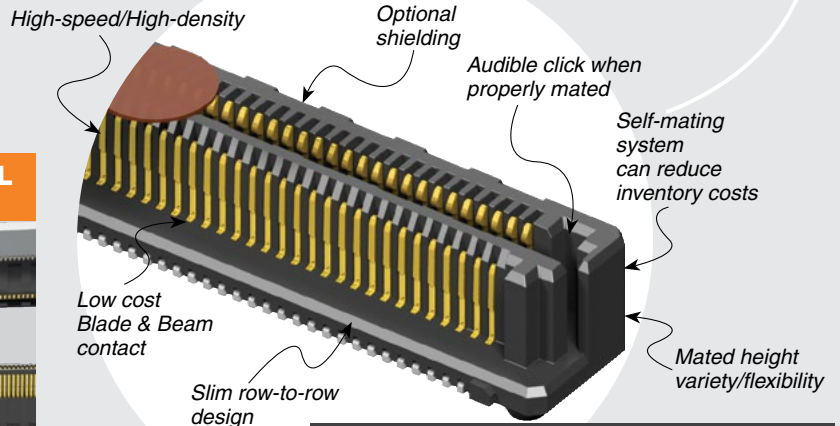
**Board Mates:** LSHM

**Cable Mates:** HLCD

## POWER/SIGNAL APPLICATION



Compatible with UMPT/UMPS for flexible two-piece power/signal solutions



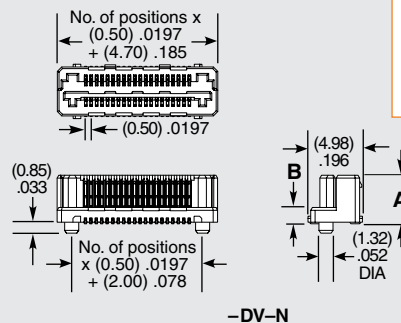
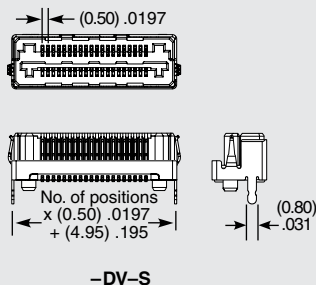
## HIGH-SPEED CHANNEL PERFORMANCE

LSHM-DV/LSHM-DV @ 5 mm Mated Stack Height  
 Rating based on Samtec reference channel.  
 For full SI performance data visit [Samtec.com](http://Samtec.com) or contact SIG@samtec.com

14  
Gbps

LSHM	1	NO. PINS PER ROW	LEAD STYLE	PLATING OPTION	TAIL OPTION	A	SHIELD OPTION	K	TR
		05, 10, 20, 30, 40, 50	Specify LEAD STYLE from chart	-F = Gold flash on contact, Matte Tin on tail -L = 10 μ" (0.25 μm) Gold on contact, Matte Tin on tail	-DV = Vertical		-S = With Shield -N = Without Shield	-K = (3.50 mm) .138" DIA Polyimide film Pick & Place Pad	-TR = Tape & Reel

LEAD STYLE (STANDARD)	LEAD STYLE (LUBRICATED)	A	B
-02.5	-L2.5	(3.95) .156	(1.00) .039
-03.0	-L3.0	(4.45) .175	(1.50) .059
-04.0	-L4.0	(5.45) .215	(2.50) .098
-06.0	-L6.0	(7.45) .293	(4.50) .177



## RUGGEDIZED BY SAMTEC

- High retention contacts
- Audible click when mated
- Shrouded

Due to technical progress, all designs, specifications and components are subject to change without notice.

[WWW.SAMTEC.COM](http://WWW.SAMTEC.COM)

All parts within this catalog are built to Samtec's specifications. Customer specific requirements must be approved by Samtec and identified in a Samtec customer-specific drawing to apply.