

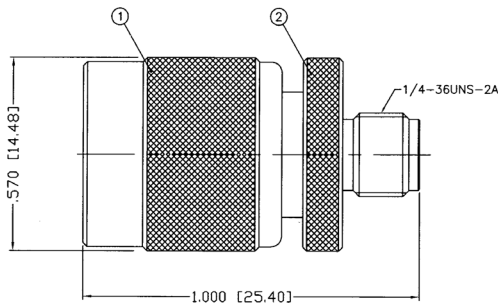
SMA Female to TNC Male Adapter



Specifications

Impedance	: 50Ω
Interface	: Per MIL-STD-348
Frequency Range	: 0-11 GHz
VSWR	: <1.10:1 0-7 GHz
Insertion Loss	: -0.1dB Max. 0-7 GHz
Working Voltage	: 375Vrms Max. @ Sea Level
Temperature Range	: -65°C to +165°C
Insulation Resistance	: 5k MΩ min.
RF Leakage	: N/A
RF High Potential	: 1k Vrms @ 5~7.5MHz
Connector Durability	: 500 Cycles Min.
Connector Repeatability	: IL < -0.1dB

Diagram



Dimensions : Inches (Millimetres)

No.	Description	Material	Finish	Qty
1	Shell	Brass	Nickel, 100μ"	1
2	Body	Brass	Nickel, 100μ"	
3	Insulator	PTFE	White	
4	Pin/Contact	Phos. B	Gold, 3μ"	
5	Gasket	Sil.R.	Nickel, 100μ"	
6	R-Ring	Brass	Nickel, 100μ"	
7	Bushing	Delrin	White	
8	Washer	Brass	Nickel, 100μ"	

Part Number Table

Description	Part Number
SMA Female to TNC Male Adapter, N,G,T	SPC14898

Important Notice : This data sheet and its contents (the "Information") belong to the members of the Premier Farnell group of companies (the "Group") or are licensed to it. No licence is granted for the use of it other than for information purposes in connection with the products to which it relates. No licence of any intellectual property rights is granted. The Information is subject to change without notice and replaces all data sheets previously supplied. The Information supplied is believed to be accurate but the Group assumes no responsibility for its accuracy or completeness, any error in or omission from it or for any use made of it. Users of this data sheet should check for themselves the Information and the suitability of the products for their purpose and not make any assumptions based on information included or omitted. Liability for loss or damage resulting from any reliance on the Information or use of it (including liability resulting from negligence or where the Group was aware of the possibility of such loss or damage arising) is excluded. This will not operate to limit or restrict the Group's liability for death or personal injury resulting from its negligence. Multicomp is the registered trademark of the Group. © Premier Farnell Limited 2016.