



EMULATION TECHNOLOGY, INC.
 www.1800ADAPTER.com
 1-800-ADAPTER(232-7837)

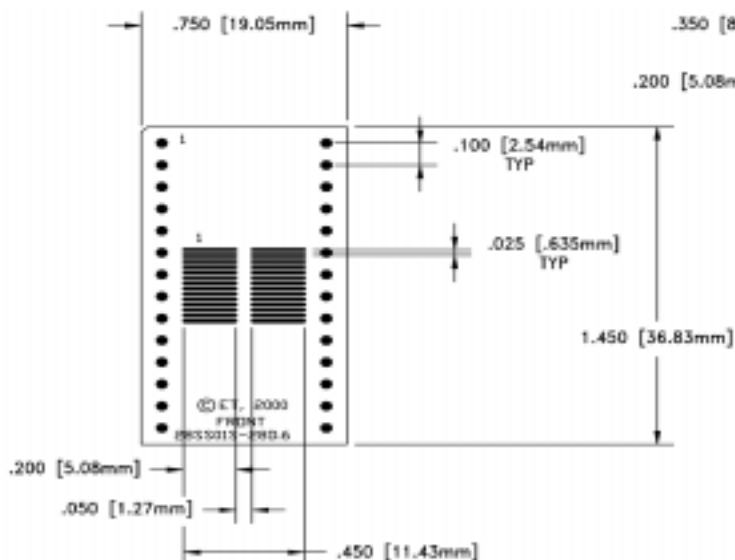
ADAPT-A-BOARD[®]

Pin Maps

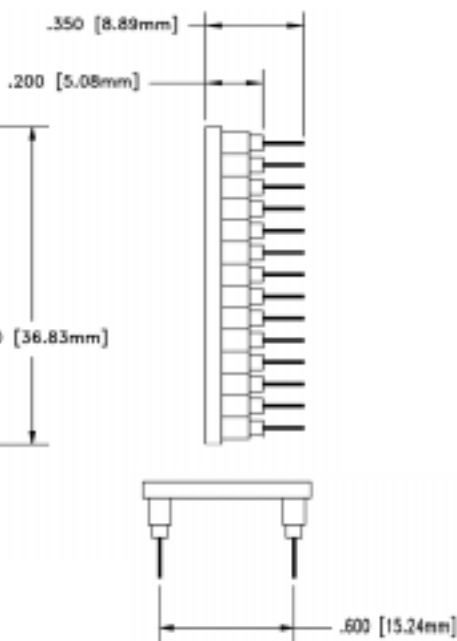
Specification#:
M6035

Item: **AB028SS01SAM**
 Description: **AB-028-SS01S-A-M**

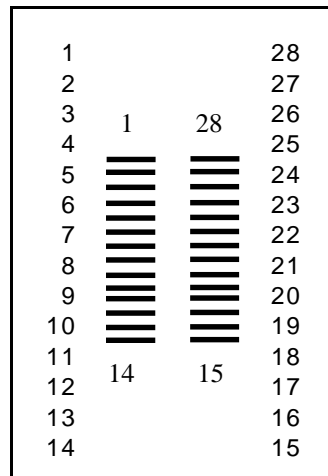
Top View



Side View



Bottom View- Base



Note: PART # ID CODE FOR DRAWING IS: **28SS01S-28D.6**

This adapter was built for the following package:

| THIS ADAPTER CAN BE USE WITH THE FOLLOWING IC PACKAGES: | | |
|---|-----------|--------|
| PACKAGE CODE | BODY SIZE | PITCH |
| SS01 | 3.80mm | .635mm |
| SS12 | 3.90mm | .635mm |
| SS06 | 7.62mm | .635mm |

Bottom Male Pin Types

