

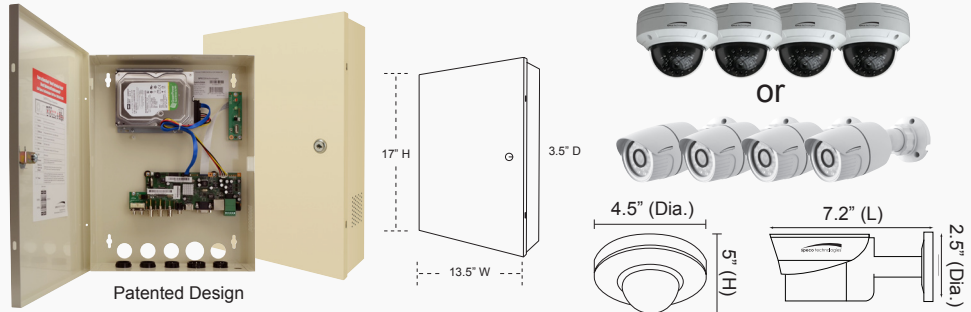
4 Ch. HD-TVI Wall Mount Digital Video Recorder and HD-TVI Camera Kit

ZIPTW4D1

4 Channel HD-TVI 1080p Wall Mount DVR, 1TB
4 HD-TVI 1080p Outdoor IR Dome Cameras

ZIPTW4B1

4 Channel HD-TVI 1080p Wall Mount DVR, 1TB
4 HD-TVI 1080p Outdoor IR Bullet Cameras



DVR Features

EZ Wizards

- Setup: for quick system setup
- Network: network setup and portforwarding
- Record: quickly setup recording resolutions and recording type

EZ Search:

quickly search events from thumbnails

EZ Copy:

auto copy what you are playing onto a USB flash drive

- 1080p @ 15fps / 720p @ 30fps over coax (HD-TVI)
- A patented DVR solution that easily mounts in equipment closets or electrical rooms for covert installations
- Backwards compatible with all analog cameras
- UTC function allows for zoom/focus and OSD control over coax
- Signal distance up to 1600 feet*
- Video Out: 1 HDMI®, 1 VGA, 1 CVBS
- H.264 video compression
- Networkable DVR with free Speco DDNS server
- Digital Deterrent® supports up to 8 audio files for triggering during sensor or motion detection
- 2-way audio communication
- Built-in S.M.A.R.T. Technology (Self-Monitoring, Analysis and Reporting Technology for HDD)
- 4 channel audio recording

- Covert camera operation provides enhanced security and administrator control
- Password to secure installation authorization
- Switch between low and high quality stream during simultaneous Continuous + Motion or Continuous + Sensor recording modes for storage optimization
- Smart (Museum) Search - Quickly search for a specific video event without the need for motion setup.
- Easy firmware upgrade by USB port or network
- Instant and convenient backup via USB flash drive or network
- Supports multiple PC based browsers such as Internet Explorer, Google Chrome, Firefox and Safari
- Simultaneous playback/record while continuing to network transfer or backup
- User Access: up to 4 concurrent users for live viewing, 1 user for playback
- Remote monitoring / recording / playback / configuration / software upgrades and PTZ control via internet
- Network accessible via SpecoTech Multi-Client Software, SecureGuard®, Web-Viewer and Speco Player Mobile Viewer
- PC and MAC® compatible
- IR remote control and mouse included
- Digital watermarking
- 3 year warranty

Camera Features

- HD-TVI 1080p @ 30fps
- IP66 compliant
- 3.6mm fixed lens
- 2 year warranty
- Weather resistant

Camera Specifications

Image Sensor 1/3" 2MP CMOS
Resolution..... 1080p/720p
Minimum Illumination.... 0 lux @F2.0 (IR on) / 0.1 lux @F2.0 (IR off)
S/N Ratio 50dB
Motion Detection..... Yes
Day/Night..... IR-cut filter
DNR..... 2D/3D Automatic
Number of IR LEDs Dome: 24 / Bullet: 28
IR Range Dome: 32' (depending on scene reflection)
Bullet: 60' (depending on scene reflection)

Operating & Unit Specifications

Power Supply 12VDC (power supply not included)
Power Consumption Dome: 400mA (IR on) / Bullet: 400mA (IR on)
Operating Temperature..... -4° F - 104° F
Camera Weights..... Dome: 1.1 lbs. / Bullet: 9.6 oz.
Camera Dimensions Dome: 4.5" (Dia.) x 5" (H) / Bullet: 2.5" (Dia.) x 7.2" (L)
NVR Weight..... 4 lbs.
NVR Dimensions 11.7" (W) x 2" (H) x 8.25" (D)

Optional Accessories



*To preserve signal quality and distance, Speco Technologies recommends using coax with a 100% copper center conductor and at least 95% braided copper shield. iPhone is a trademark of Apple Inc., registered in the U.S. and other countries. Android is a trademark of Google Inc. The terms HDMI and HDMI High-Definition Multimedia Interface, and the HDMI Logo are trademarks or registered trademarks of HDMI Licensing LLC in the United States and other countries. Speco Technologies is constantly developing and improving products. We reserve the right to modify product design and specifications without notice and without incurring any obligation. Spec Rev. 5/19/16



Technical Specifications: 1080p HD-TVI Wall Mount Digital Video Recorder

ITEM		D4WVT		
Video	Input	Channel	4	
		Signal Distance	Up to 1600 feet (depending on coax quality)*	
		Input Level	Composite, 1.0Vp-p, 75 ohms	
		Signal Format	NTSC / PAL	
		Video Loss Check	Yes	
	Output	HDMI®	1 HDMI (1024x768, 1280x720, 1280x1024, 1920x1080)	
		VGA	1 VGA (1024x768, 1280x720, 1280x1024, 1920x1080)	
CVBS / Spot		1 main or 1 spot		
Audio	Input & Output		4 line input & 1 line output	
	Audio Codec		G.711	
Alarm	Sensor Input		4 channel (NC/NO selectable)	
	Alarm Output		1 alarm out by sensor, motion, video loss, HDD temperature and HDD failure	
Serial	RS-485	PTZ	1	
Recording	Compression		H.264	
	Multi-Operation		QUADPLEX (play / record / network / backup)	
	Resolution	1080p TVI		60fps
		720p TVI		120fps
		960H Analog		120fps
	Recording Mode		Continuous / Schedule / Motion / Sensor / Manual / Continuous + Motion / Continuous + Sensor	
	Motion Detection		Motion detection setup by grid	
	Recording by Channel's Resolution		Yes	
	Pre-Recording		Max. 20 minutes	
	Post Recording		Max. 60 seconds	
Playback	Multi-Decoding		1, 4	
	Search Mode		EZ Search, Smart (Museum) Search, Timeline, Event, Archive, Log	
Storage	HDD	Interface Type	Serial ATA	
		Capacity of 1 HDD	4 TB	
		Internal HDD	2	
	Backup	USB Flash Drive		Video & Still Image
		USB External HDD		Video & Still Image
		Network		Video & Still Image
	USB Port		2	
User I/F	Menu Display		GUI	
	Input Method		IR, Mouse, Keyboard Controller	
Network	Interface		10/100Base-T	
	Streaming		CIF 15fps / channel max.	
Network Access	Mobile Viewer		Live, Search, PTZ, 2-Way Audio	
	PC Web Viewer		Internet Explorer, Chrome, Firefox, Safari (Live, Search, Backup, PTZ, Remote Setup)	
	PC Client		SpecoTech Multi-Client Viewer and SecureGuard® CMS (Live, Search, Backup, PTZ, Remote Setup)	
	MAC Client		Speco Client for MAC and SecureGuard® CMS (Live, Search, Backup, PTZ, Remote Setup)	
Features	Digital Deterrent®		Default + up to 8 custom audio files	
	Digital Zoom		Yes	
	DLS (Daylight Savings)		Yes	
	EZ Record		Yes	
	S.M.A.R.T		Yes	
	Internal Beep		By video loss, HDD error	
	Multi-Language		English / Spanish / French	
	Dynamic DNS		Yes (free Speco DDNS)	
	SW Upgrade		USB and remote software upgrade	
	Email Notification		Yes	
	NTP (Network Time Protocol)		Yes	
Power Source	Power Supply Voltage		12VDC, 3A	
Allowable Operating Temperature / Humidity			41° F - 104° F / 20% - 80% RH	
Allowable Storage Temperature			14° F - 122° F	
Weight	Unit Weight (Gross Weight)		8.5 lbs.	
Dimensions	Unit Dimensions (W x H x D)		11.5" (W) x 15" (H) x 3.5" (D)	

Please note that specifications and unit exterior design are subject to change without notification.

*To preserve signal quality and distance, Speco Technologies recommends using coax with a 100% copper center conductor and at least 95% braided copper shield.