

Rollerball-Type Recessed-Mount Contact

SM-4302-LQ/W

Rollerball, Closed Loop, with 18" (46cm) leads, White

Features:

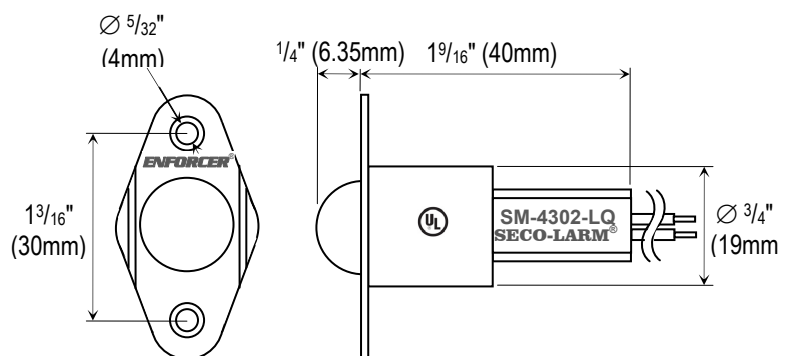
- Used for protecting sliding doors and windows where space is limited
- Magnet and reed switch contained in housing
- Spacer and screws included
- Rollerball plunger travel is 1/4" (6.35mm)
- 360° Roller-ball
- 18" (46cm) leads
- Contact reed switch is SPST, iridium-plated to have a high melting point and Vickers hardness for higher power handling and longer expected life
- For closed loop circuits
- Lifetime limited warranty



Specifications:

Circuit type	Closed loop
Switch type	Plunger
Switch travel	1/4" (6mm)
Color	White
Material	High-impact ABS plastic
Contacts	Iridium-plated
Contact rating	0.1A@100VDC (max)
	1.0A@10VDC (max)
	10W (max)
Temperature	-15°~160°F (-25°~70°C)
Switch cycles	50 Million (0.1mA@5VDC)
Dimensions	1 9/16" x 3/4" x 1/4" (40x19x6mm)
Magnet	Rare-earth neodymium

Dimensions:



SECO-LARM® U.S.A., Inc.

16842 Millikan Avenue, Irvine, CA 92606

Phone: (949) 261-2999 | (800) 662-0800 Fax: (949) 261-7326

Website: www.seco-larm.com Email: sales@seco-larm.com