

Technical characteristics: M12 PCB adapter

Degree of protection	IP67 (mated and locked)	Mating cycles	≥ 100
Rated current	4/5 poles: max. 4 A 8 poles: max. 2 A (dependant on PCB layout)	Limiting temperature	-40 °C ... +85 °C
Rated voltage	4 poles: 250 V 5 poles: 60 V 8 poles: 30 V	Termination	SMT
		Contact material	Copper alloy
		Contact plating (mating side)	Au over Ni
		Insulator material	LCP

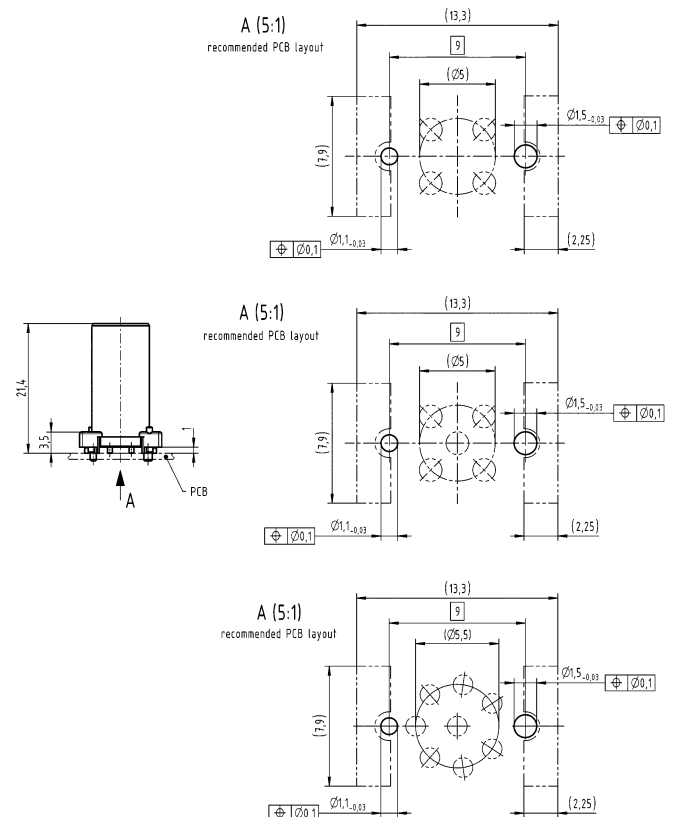
Identification	Part number	Drawing	Dimensions in mm
----------------	-------------	---------	------------------

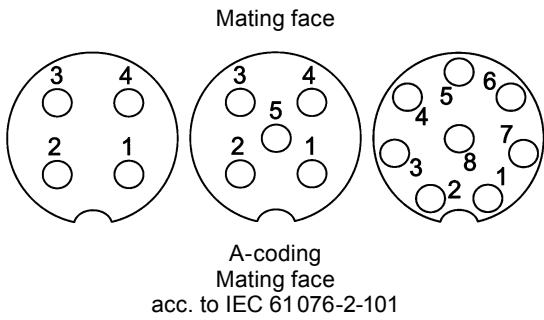
M12 PCB adapter
Male, A-coding,
straight, unshielded

4 poles	21 03 311 1415
5 poles	21 03 311 1515
8 poles	21 03 311 1815

Tape on reel

4 poles	21 03 311 1416
5 poles	21 03 311 1516
8 poles	21 03 311 1816





Technical characteristics: M12 PCB adapter

Degree of protection	IP67 (mated and locked)	Mating cycles	≥ 100
Rated current	4/5 poles: max. 4 A 8 poles: max. 2 A (dependant on PCB layout)	Limiting temperature	-40 °C ... +85 °C
Rated voltage	4 poles: 250 V 5 poles: 60 V 8 poles: 30 V	Termination	SMT
		Contact material	Copper alloy
		Contact plating (mating side)	Au over Ni
		Insulator material	LCP

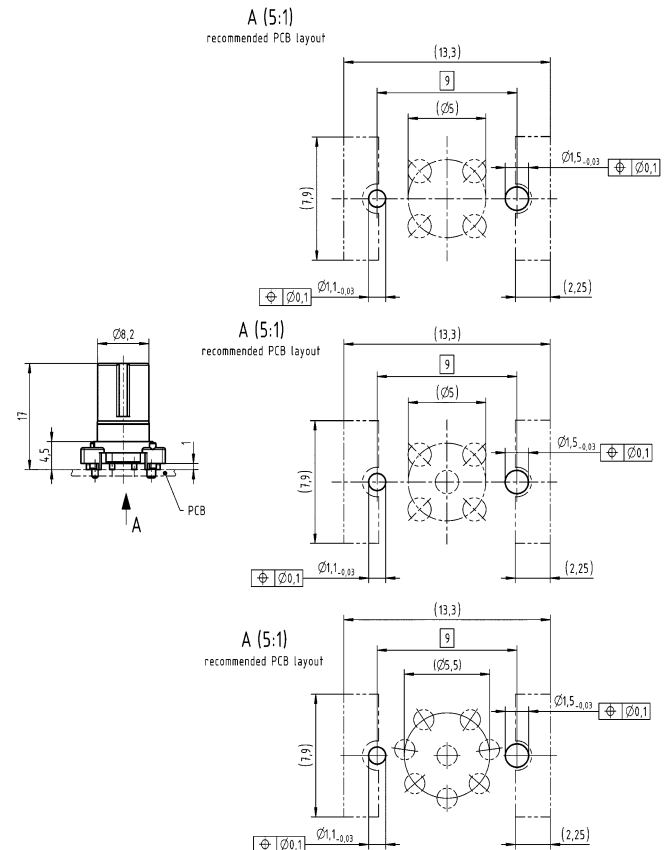
Identification	Part number	Drawing	Dimensions in mm
----------------	-------------	---------	------------------

M12 PCB adapter
Female, A-coding,
straight, unshielded

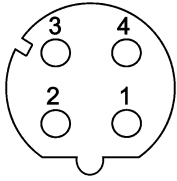
4 poles	21 03 311 2410
5 poles	21 03 311 2510
8 poles	21 03 311 2810

Tape on reel

4 poles	21 03 311 2411
5 poles	21 03 311 2511
8 poles	21 03 311 2811



Mating face



D-coding
Mating face
acc. to IEC 61 076-2-101

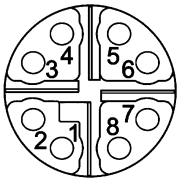


Technical characteristics: M12 PCB adapter

Degree of protection	IP67 (mated and locked)	Limiting temperature	-40 °C ... +85 °C
Rated current	max. 4 A (dependant on PCB layout)	Termination	SMT
Rated voltage	250 V	Contact material	Copper alloy
Mating cycles	≥ 100	Contact plating (mating side)	Au over Ni
		Insulator material	LCP

Identification	Part number	Drawing	Dimensions in mm
M12 PCB adapter Female, D-coding, straight, shielded			
4 poles	21 03 381 2404		
Tape on reel	21 03 381 2405		
Female socket for front mounting			
M14x1 H9 M14x1 H13	21 41 000 0010 21 41 000 0013		
Hexagonal nut M14x1	21 41 000 0011		

Mating face



X-coding
Mating face
acc. to IEC 61 076-2-109



Technical characteristics: M12 PCB adapter

Degree of protection	IP67 (mated and locked)	Limiting temperature	-40 °C ... +85 °C
Rated current	max. 0.5 A (dependant on PCB layout)	Termination	SMT
Rated voltage	48 V	Contact material	Copper alloy
Mating cycles	≥ 100	Contact plating (mating side)	Au over Ni
		Insulator material	LCP

Identification	Part number	Drawing	Dimensions in mm
M12 PCB adapter Female, X-coding, straight, shielded 8 poles Tape on reel 8 poles	21 03 381 2820 21 03 381 2821	<p>A (5:1) recommended PCB layout</p>	
Female socket for front mounting M14x1 H9 M14x1 H13	21 41 000 0010 21 41 000 0013		
Hexagonal nut M14x1	21 41 000 0011		