



## Features

- Formerly **J. W. Miller**® model
- Current rating up to 7 A
- Compact size
- Tape and reel packaging
- RoHS compliant\*

## Applications

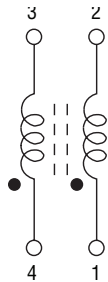
- Filtering
- Common mode

# PM3700 Series - SMD Common Mode Choke

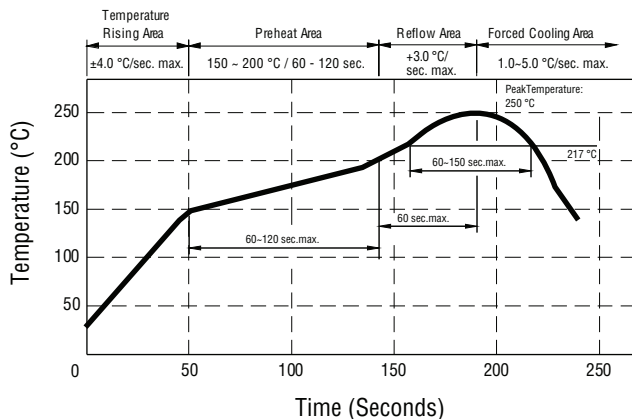
### Electrical Specifications

Bourns Part No.	Inductance mH Min. @ 1 kHz / 50 mV	Part Marking	DCR ( $\Omega$ ) Max.	I <sub>rms</sub> (A)	Leakage Inductance ( $\mu$ H) Typ.	Typical Frequency Range with 20 dB Atten.
PM3700-10-RC	0.2	201	0.008	7.0	1.6	5 - 55 MHz
PM3700-20-RC	0.5	501	0.010	6.0	2.2	4 - 40 MHz
PM3700-30-RC	0.75	751	0.012	5.5	2.9	1 - 20 MHz
PM3700-40-RC	1.0	102	0.020	4.0	3.9	500 KHz - 40 MHz
PM3700-50-RC	2.0	202	0.030	3.5	0.3	300 KHz - 20 MHz
PM3700-60-RC	5.0	502	0.070	2.0	0.4	100 KHz - 10 MHz
PM3700-70-RC	10	103	0.150	1.5	0.5	50 KHz - 5 MHz
PM3700-80-RC	20	203	0.250	1.0	0.7	25 KHz - 4 MHz

### Schematic



### Solder Profile



Peak Temperature: 245 °  $\pm$  5 °C max., 30 sec. max.  
 Maximum Time Above 217 °C: 60-150 seconds

### General Specifications

Temperature Rise ... 35 °C typical at I<sub>rms</sub>  
 Operating Temperature .. -55 °C to +125 °C  
 Storage Temperature

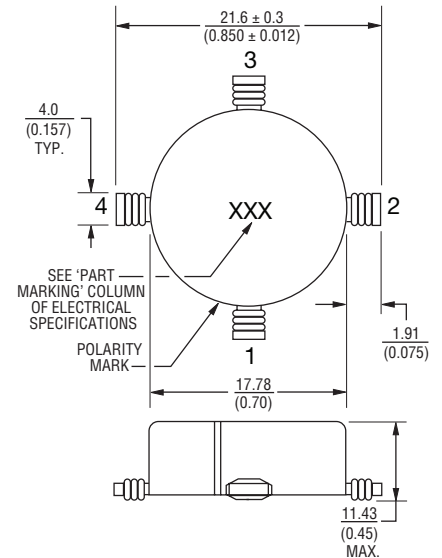
..... -55 °C to +125 °C  
 Soldering ..... 245 °C, 5 seconds max.  
 Dielectric Strength ..... 500 Vrms  
 between windings

Moisture Sensitivity Level ..... 1  
 ESD Classification (HBM)..... N/A

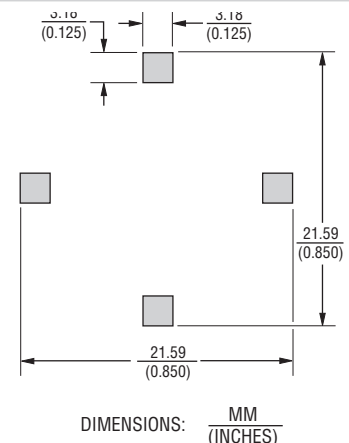
### Materials

Core ..... Ferrite  
 Wire ..... Polyester-coated copper  
 Terminal Coating ..... Sn-Ag-Cu alloy  
 Packaging ..... 200 pcs. per 13-inch reel

### Product Dimensions



### Recommended Pad Layout



\*RoHS Directive 2002/95/EC Jan. 27, 2003 including annex and RoHS Recast 2011/65/EU June 8, 2011.  
 Specifications are subject to change without notice.

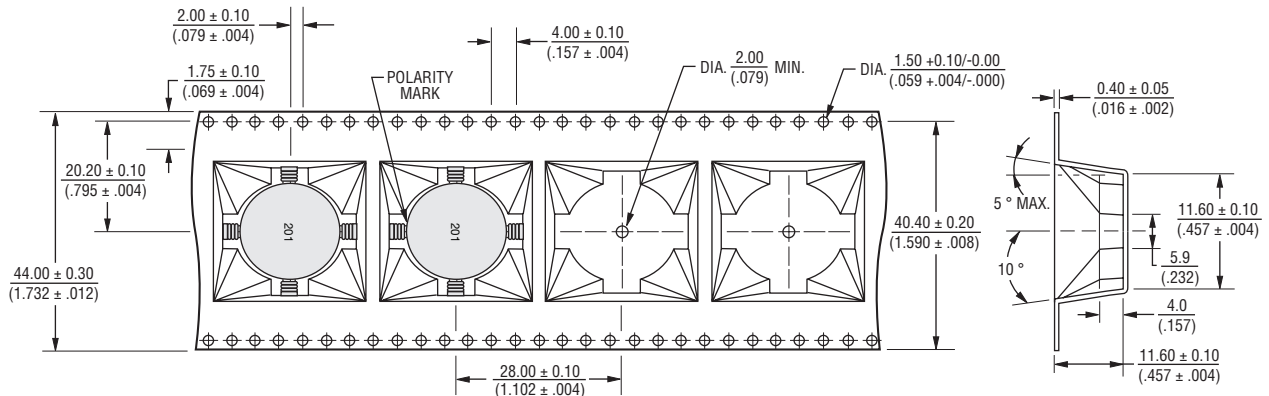
The device characteristics and parameters in this data sheet can and do vary in different applications and actual device performance may vary over time.

Users should verify actual device performance in their specific applications.

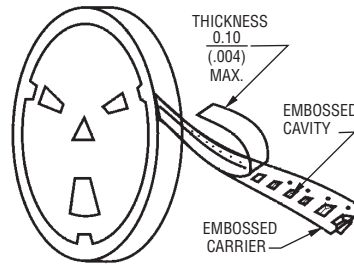
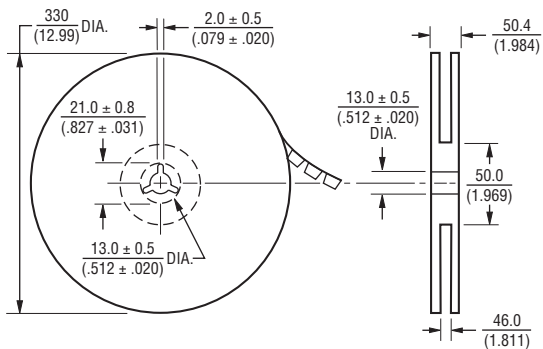
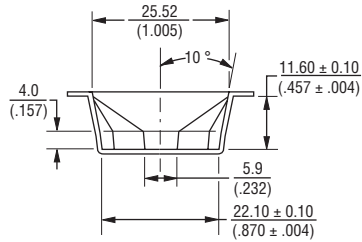
# PM3700 Series - SMD Common Mode Choke

**BOURNS®**

## Packaging Specifications



USER DIRECTION OF FEED  
 QTY: 200 PCS. PER REEL



DIMENSIONS:  $\frac{\text{MM}}{\text{(INCHES)}}$

REV. 09/17

Specifications are subject to change without notice.

The device characteristics and parameters in this data sheet can and do vary in different applications and actual device performance may vary over time. Users should verify actual device performance in their specific applications.