

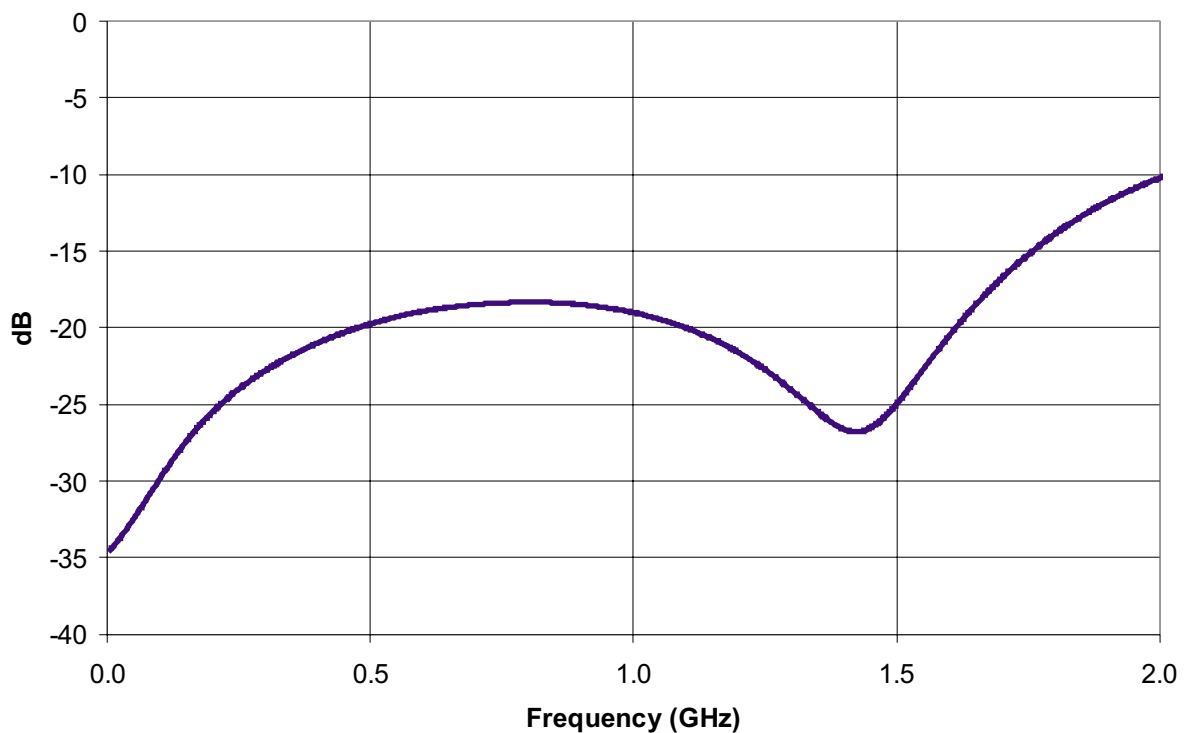


TF800BB14

BeO Flanged Termination

Power: 800 Watts (CW)
Resistance: 50 $\Omega \pm 5\%$
VSWR: 1.30:1
Frequency Range: DC to 1.5 GHz
Substrate: BeO

TYPICAL PERFORMANCE RETURN LOSS



For detailed information regarding this product or sample request contact Johanson Sales



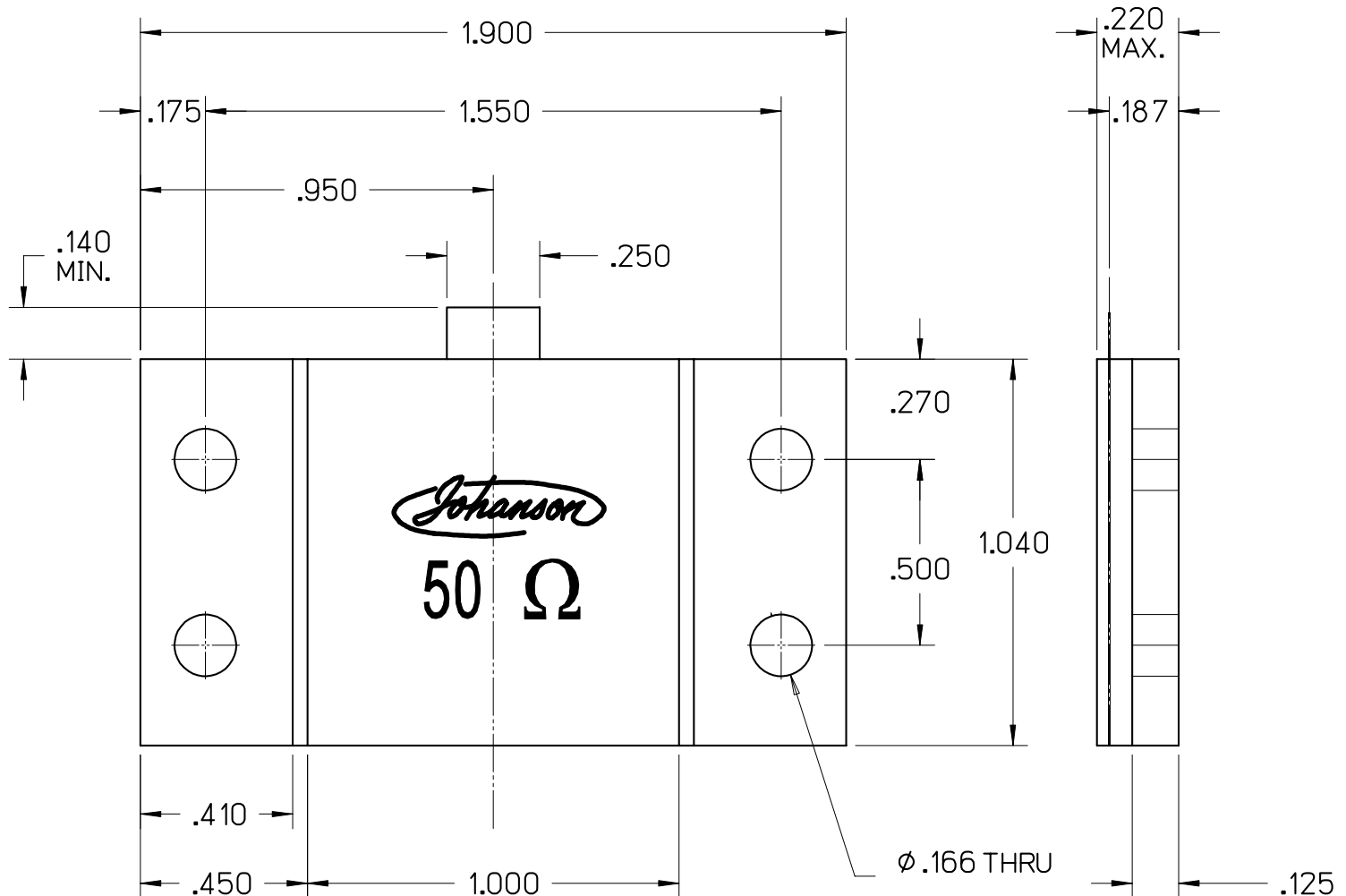
Johanson Manufacturing Corporation • 301 Rockaway Valley Road, Boonton, New Jersey 07005 • Phone 973.334.2676 • Fax 973.334.2954
STAY TUNED • ELECTRONIC ACCURACY THROUGH MECHANICAL PRECISION • WWW.JOHANSONMFG.COM

MAR 08



TF800BB14

BeO Flanged Termination



CAUTION

THIS SUBSTRATE USES BERYLLIUM OXIDE
USE CARE WHEN HANDLING.
DO NOT SCRATCH OR ABRASIVE
TRIM IN OPEN AREA.

For detailed information regarding this product or sample request contact Johanson Sales



Johanson Manufacturing Corporation • 301 Rockaway Valley Road, Boonton, New Jersey 07005 • Phone 973.334.2676 • Fax 973.334.2954
STAY TUNED • ELECTRONIC ACCURACY THROUGH MECHANICAL PRECISION • WWW.JOHANSONMFG.COM

MAR 08