

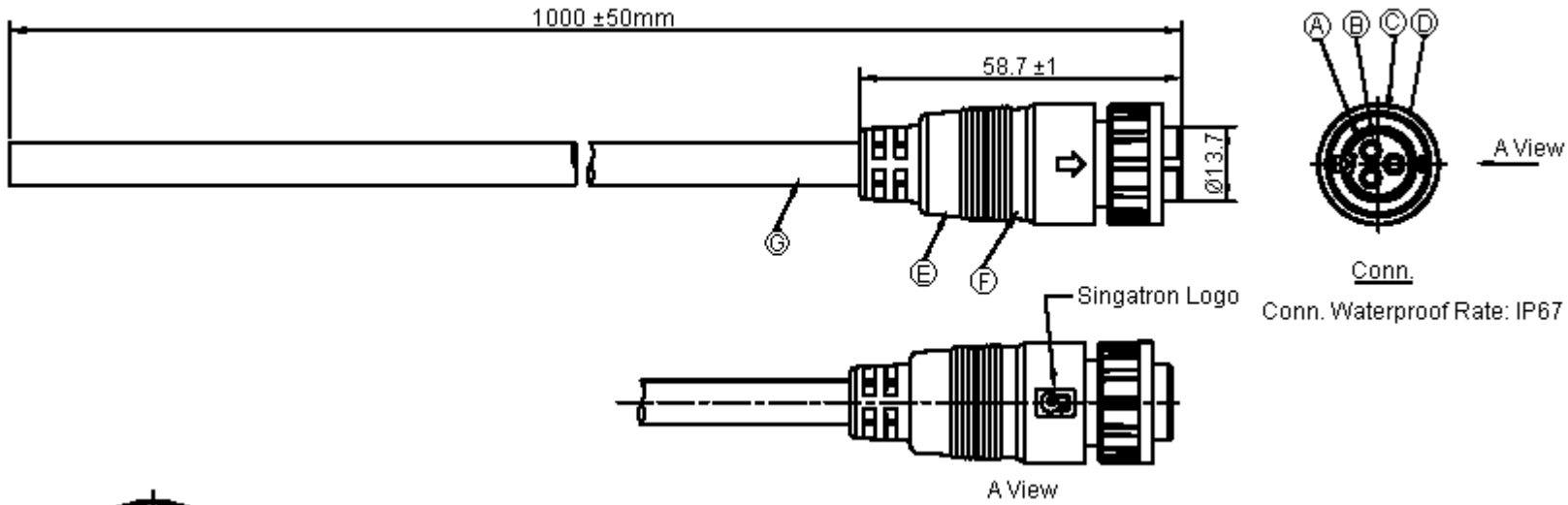


PART NO.

2CM3016-W03601

REVISIONS

ECN #	REV	DESCRIPTION	DRAWN	DATE	CHECKD	DATE	APPRVD	DATE
-	A	RELEASED	Veena	28/01/11	Jagan	27/01/11	Farnell	11/02/11



Pin Assignments  
Front View

Dimensions : Millimetres

**Specifications:**

- Waterproof rate : IP67.
- IP67 : Immersed in 1m water for 30 minutes.
- To conform to Singatron hazardous substance free specification.
- Panel thickness : 2.8mm (maximum).

This data sheet and its contents (the "Information") belong to the Premier Farnell Group (the "Group") or are licensed to it. No licence is granted for the use of it other than for information purposes in connection with the products to which it relates. No licence of any intellectual property rights is granted. The Information is subject to change without notice and replaces all data sheets previously supplied. The Information supplied is believed to be accurate but the Group assumes no responsibility for its accuracy or completeness, any error in or omission from it or for any use made of it. Users of this data sheet should check for themselves the Information and the suitability of the products for their purpose and not make any assumptions based on information included or omitted. Liability for loss or damage resulting from any reliance on the Information or use of it (including liability resulting from negligence or where the Group was aware of the possibility of such loss or damage arising) is excluded. This will not operate to limit or restrict the Group's liability for death or personal injury resulting from its negligence. SPC MULTICOMP is the registered trademark of the Group. © Premier Farnell plc 2011.

TOLERANCES:

UNLESS OTHERWISE SPECIFIED, DIMENSIONS ARE FOR REFERENCE PURPOSES ONLY.

DRAWN BY:	DATE:
Veena	28/01/11
CHECKED BY:	DATE:
Jagan	28/01/11
APPROVED BY:	DATE:
Farnell	11/02/11

DRAWING TITLE:			
Cable Assembly			
SIZE	DWG NO.	ELECTRONIC FILE	REV
A	M10002720	1860752	A
SCALE: NTS		U.O.M.: mm	SHEET: 1 OF 2



PART NO.

2CM3016-W03601

REVISIONS

ECN #	REV	DESCRIPTION	DRAWN	DATE	CHECKD	DATE	APPRVD	DATE
-	A	RELEASED	Veena	28/01/11	Jagan	27/01/11	Farnell	11/02/11

Specifications Table

Item	Description	Material	Plating and Colour
A	Body	Nylon + 33% GF	Black
B	Male pin	HBi59-1.5B	1µ inches gold plating over nickel plating
C	Lock nut	Nylon + 33% GF	Black
D	O-ring	EPDM	
E	Over mould	PVC	
F	Inner mould	TPU	Natural
G	Cable	16AWG x 3C + Al/My (UV resistant) Outer Diameter = Ø7.0	Black PVC Jacket

Part Number Table

Description	Part Number
Cable Assy, Plug-Free End, 3Way, 1M	2CM3016-W03601

<http://www.farnell.com>

<http://www.newark.com>

<http://www.cpc.co.uk>

This data sheet and its contents (the "Information") belong to the Premier Farnell Group (the "Group") or are licensed to it. No licence is granted for the use of it other than for information purposes in connection with the products to which it relates. No licence of any intellectual property rights is granted. The Information is subject to change without notice and replaces all data sheets previously supplied. The Information supplied is believed to be accurate but the Group assumes no responsibility for its accuracy or completeness, any error in or omission from it or for any use made of it. Users of this data sheet should check for themselves the Information and the suitability of the products for their purpose and not make any assumptions based on information included or omitted. Liability for loss or damage resulting from any reliance on the Information or use of it (including liability resulting from negligence or where the Group was aware of the possibility of such loss or damage arising) is excluded. This will not operate to limit or restrict the Group's liability for death or personal injury resulting from its negligence. SPC MULTICOMP is the registered trademark of the Group. © Premier Farnell plc 2011.

TOLERANCES:  
UNLESS OTHERWISE SPECIFIED, DIMENSIONS ARE FOR REFERENCE PURPOSES ONLY.

DRAWN BY:	DATE:
Veena	28/01/11
CHECKED BY:	DATE:
Jagan	28/01/11
APPROVED BY:	DATE:
Farnell	11/02/11

DRAWING TITLE:			
Cable Assembly			
SIZE A	DWG NO. M10002720	ELECTRONIC FILE 1860752	REV A
SCALE: NTS		U.O.M.: mm	SHEET: 2 OF 2