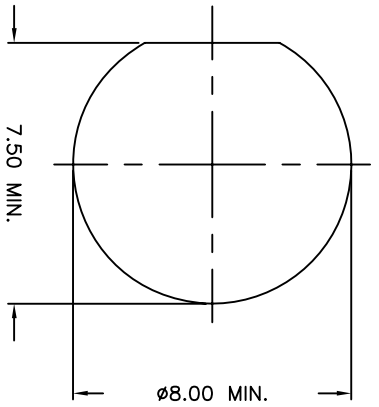
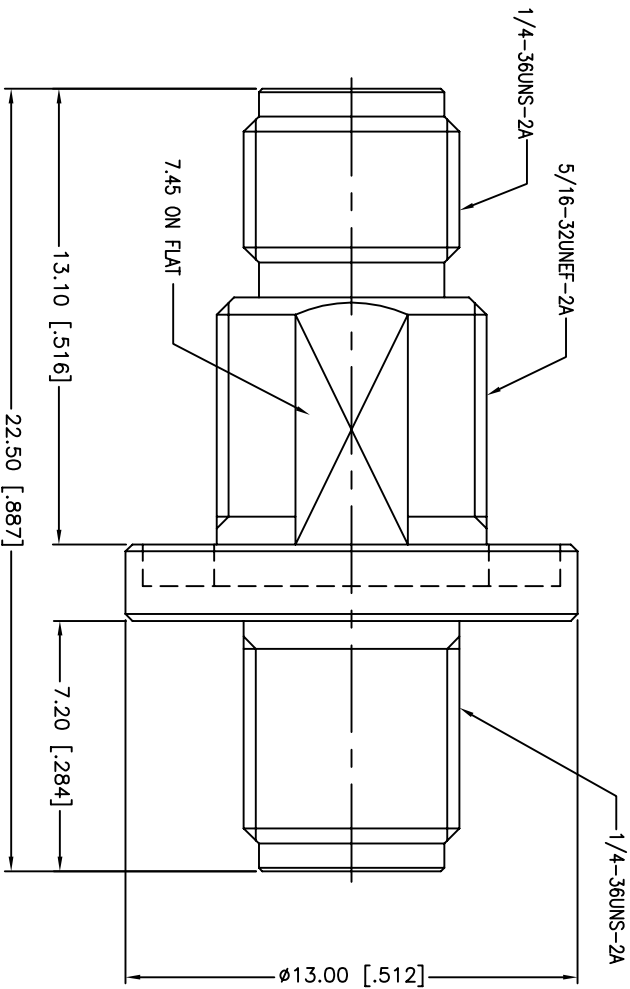
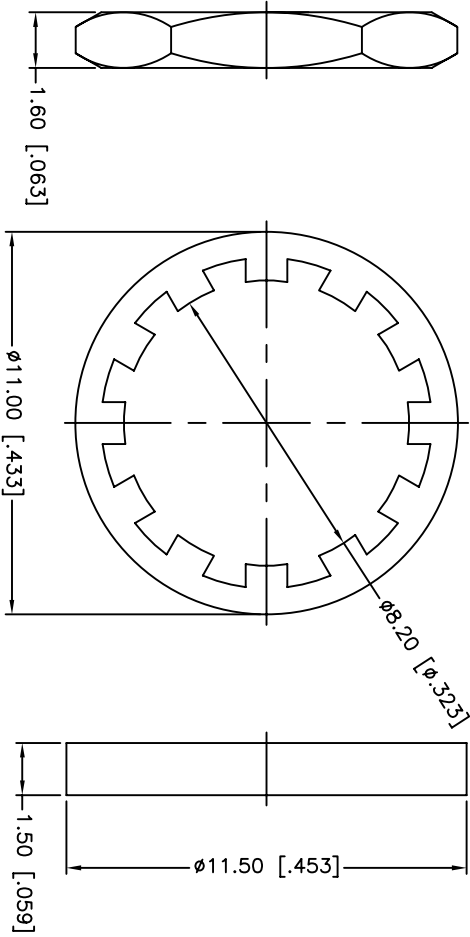


REV.	DATE	ECR NO.	DESCRIPTION
NC	08/12/09	XXXXXX	INITIAL RELEASE



RECOMMENDED MOUNTING HOLE

1. MAX. PANEL THICKNESS=4.3mm



DESCRIPTION	MATERIAL	FINISH	QTY
HEX NUT	BRASS	GOLD	1
LOCK WASHER	BRASS	GOLD	1
CONTACT PIN	BER. COPPER	GOLD	1
O-RING	SILICON RUBBER	RED	1
INSULATOR	PTFE	NATURAL	1
BODY	BRASS	GOLD	1

UNLESS OTHERWISE SPECIFIED DIMENSIONS ARE IN INCHES AND FOR CUSTOMER REFERENCE ONLY.
 TOLERANCES FOR MILLIMETERS ARE:
 UNLESS OTHERWISE SPECIFIED
 0.5 - 8mm ± 0.20mm
 8 - 30mm ± 0.40mm
 30 - 120mm ± 0.50mm
 TOLERANCES FOR INCHES ARE:
 UNLESS OTHERWISE SPECIFIED
 .020 - .315 = ± 0.007"
 .315 - 1.180 = ± 0.015"
 1.180 - 4.724 = ± 0.020"

APPROVALS	DATE
DRAWN C. WANG	08/12/09
CHECKED	
ISSUED	
SHEET 1 OF 1	

Amphenol Connex

PART DESCRIPTION
SMA BULKHEAD JACK TO JACK ADAPTOR

PART NO. **132170-10**

CAD FILE C:/CONNEX/132170-10.DWG DWG. NO. 132170-10.DWG REV. NC SIZE A SCALE NA

DO NOT SCALE DRAWING
