



ALL RIGHTS RESERVED. NO PORTION OF THIS PUBLICATION, WHETHER IN WHOLE OR IN PART CAN BE REPRODUCED WITHOUT THE EXPRESS WRITTEN CONSENT OF SPC TECHNOLOGY.

SPC-F005.DWG

REVISIONS

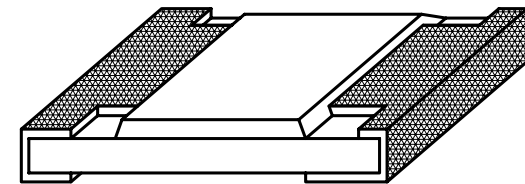
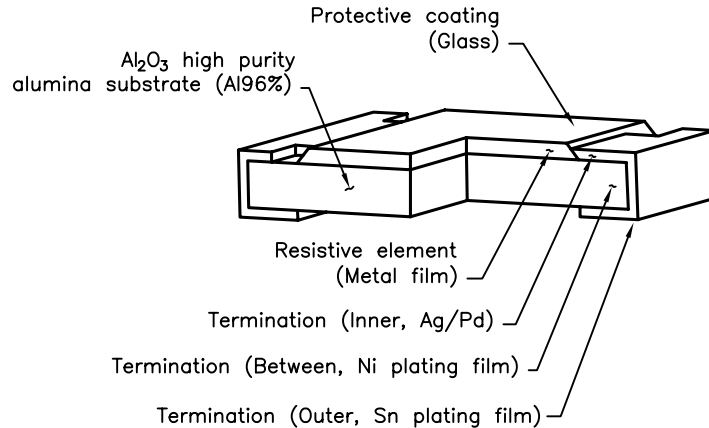
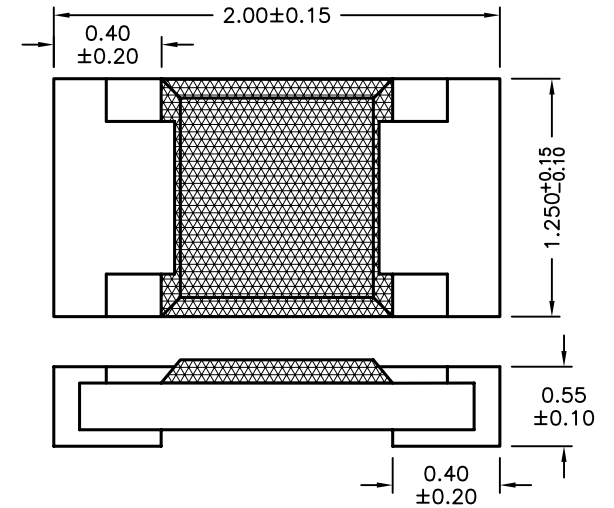
DOC. NO. SPC-F005 * Effective: 7/8/02 * DCP No: 1398

DCP #	REV	DESCRIPTION	DRAWN	DATE	CHECKD	DATE	APPRVD	DATE
1861	A	RELEASED	BYF	11/05/05	HO	11/7/05	JWM	11/7/05



Specifications:

- Rated Current: 2A
- Max. Rated Current: 4A
- Power Rating: 1/10 Watt
- Temperature Range: -55°C ~ +125°C
- Ambient Temperature: 70°C
- Max. Resistance: 50 milliohm
- Insulation Resistance: 1,000 Megaohm or more
- Dielectric Withstanding Voltage: Apply 500 VAC between protective coating and termination for 1 minute
- Solderability: 245°C±5°C for 2-3 Sec. 95% Coverage Min.

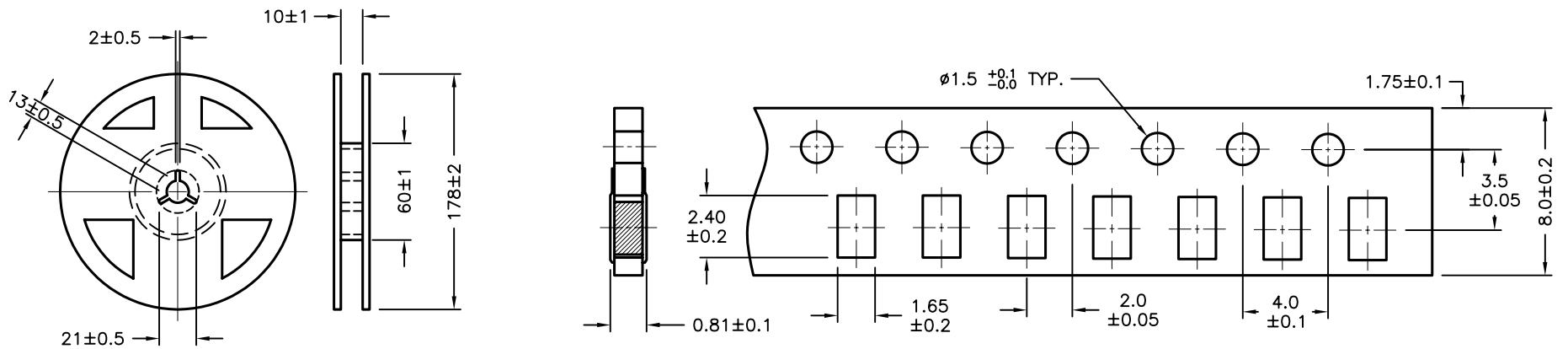


DISCLAIMER: ALL STATEMENTS AND TECHNICAL INFORMATION CONTAINED HEREIN ARE BASED UPON INFORMATION AND/OR TESTS WE BELIEVE TO BE ACCURATE AND RELIABLE. SINCE CONDITIONS OF USE ARE BEYOND OUR CONTROL, THE USER SHALL DETERMINE THE SUITABILITY OF THE PRODUCT FOR THE INTENDED USE AND ASSUME ALL RISK AND LIABILITY WHATSOEVER IN CONNECTION THEREWITH.

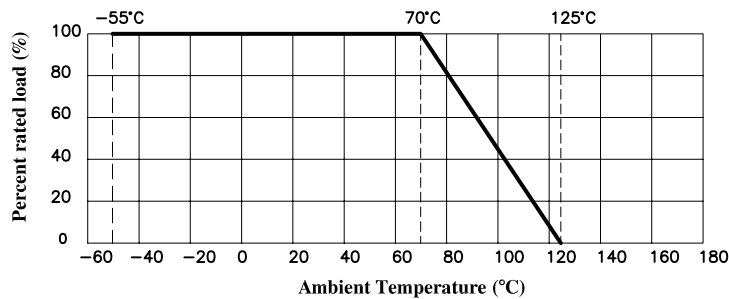
TOLERANCES: UNLESS OTHERWISE SPECIFIED, DIMENSIONS ARE FOR REFERENCE PURPOSES ONLY.

DRAWN BY:	DATE:
BASAM YOUSIF	11/05/05
CHECKED BY:	DATE:
HISHAM ODISH	11/7/05
APPROVED BY:	DATE:
JEFF MCVICKER	11/7/05

DRAWING TITLE: RoHS Compliant Thick Film Chip Resistors, EIA Size 0805, 1/10 Watt, 0 ohm			
SIZE	DWG. NO.	ELECTRONIC FILE	REV
A	TA-678	TA-678.DWG	A
SCALE: NTS	U.O.M.: Millimeters	SHEET: 1 OF 2	



Tape & Reel Dimension



Multicomp Type No	Resistance	Package
MC0805WA00000T5E-TC	0 Ohm	Sold by Each
MC0805WA00000T5E-TR		Sold in Tape & Reel of 5,000