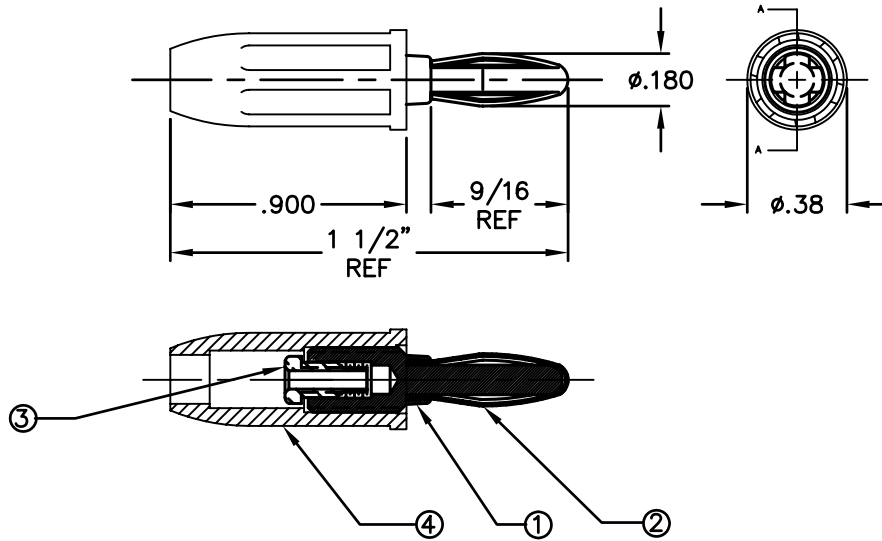


**BILL OF MATERIALS**

DET.	QTY.	DESCRIPTION	MATERIAL	FINISH
1	1	BODY	BRASS	SEE NOTE
2	1	SPRING- CONTACT	BERYLLIUM-COPPER	SEE NOTE
3	1	STUD- SCREW	BRASS	TIN
4	1	HANDLE	LEXAN 940	-

NOTE:  
BODY AND CONTACT TO BE PLATED  
NICKEL AFTER ASSEMBLY

BANANA PLUG	
PART NO.	FINISH
476-101	WHITE
476-102	RED
476-103	BLACK
476-104	GREEN
476-105	BLUE
476-107	YELLOW



RATINGS:  
1000V  
15AMPS

OPERATING TEMP: +240°F MAX

REVISIONS				
SYM	DESCRIPTION	REVISED BY	DATE	APPR
C	REDRAWN ON CAD FROM REV B	TPL	1/14/05	TPL

MATERIAL: SEE BOM		FINISH: SEE BOM		<b>ABBATRON</b>		
DIMENSIONAL TOLERANCES UNLESS OTHERWISE SPECIFIED		TITLE: 476 BANANA PLUG ASSEMBLY				
.XX	.XXX	.XXX	.XXX	DRAWN: T. LORD DATE: 1/14/05		SIZE
±.015	±.005	---	---	CHECKED: T. LORD DATE: 1/14/05		B
FRACTIONS	ANGLES	SCALE		APPROVED: T. LORD DATE: 1/14/05		
±1/64	±1°	4:1				476
HEAT TREAT: ---	PLOT SCALE: 1=1				ISSUE	
						C