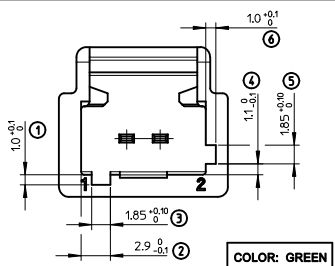
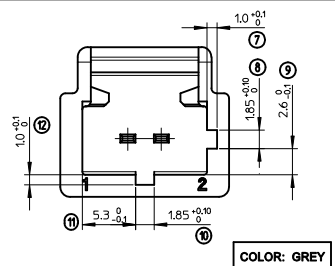


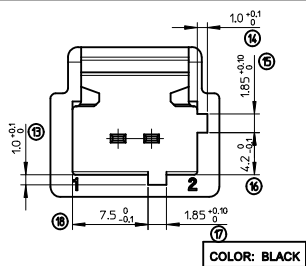
CODINGS



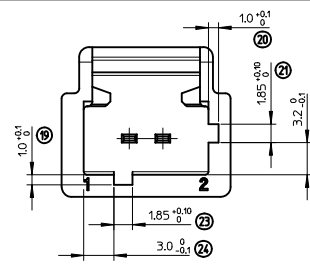
COLOR: GREEN



COLOR: GREY

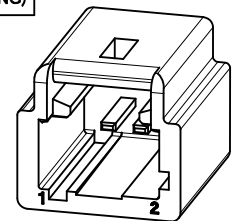


COLOR: BLACK

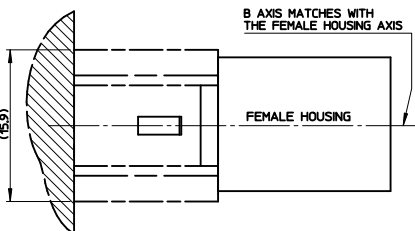
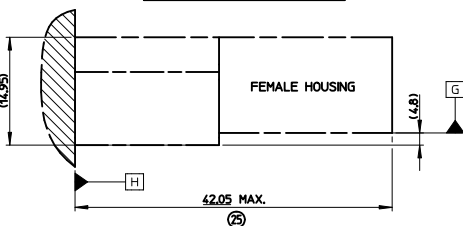


COLOR: WHITE

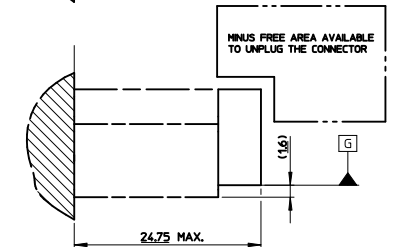
**ISO VIEW
(GREEN CODING)**



OVERALL DIMENSIONS



B AXIS MATCHES WITH THE FEMALE HOUSING AXIS

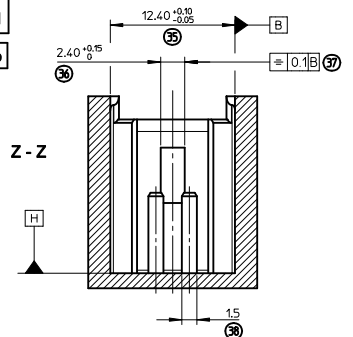
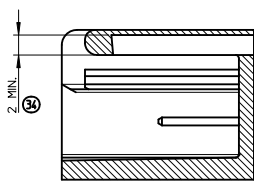


MINUS FREE AREA AVAILABLE TO UNPLUG THE CONNECTOR

HEADER'S DEFINITION

GREEN CODING REPRESENTED

X - X
VARIABLE



NOTES:

MALE TERMINALS:

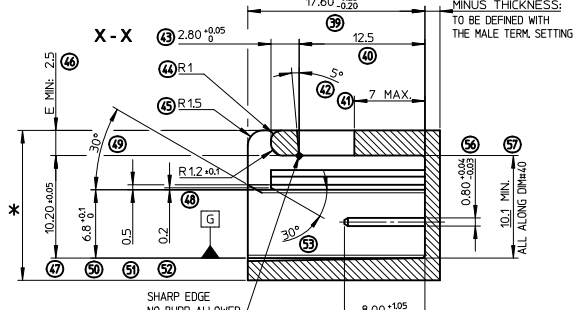
- MALE TERMINALS RESISTANCE: 100N MIN IN MALE TERM. AXIS.
- MATERIAL: COPPER, COPPER ALLOY OR BRASS.
- FINISHES: TIN PLATED 2μ MIN.

HEADER:

- RADIUS WITHOUT DIM: R=0.3MM
- E MIN: MINIMUM MATERIAL THICKNESS RECOMMENDED FOR SPECIFIED MATERIAL
- MATERIAL: PBT (RECOMMENDED) 70
- * WARPING: 0.35MM MAX. ACCEPTED ON "*" DIM. WITH ANOTHER EXTERNAL SHAPE AS DRAWN WHEN PLUGGED.

MATES WITH:

- MOLEX CONNECTORS 9887-102X

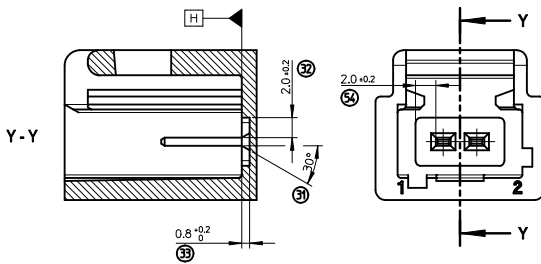


MINUS THICKNESS: TO BE DEFINED WITH THE MALE TERM. SETTING

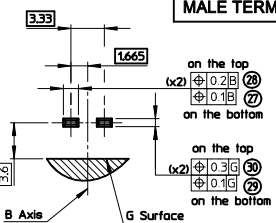
SHARP EDGE NO BURR ALLOWED

ALL ALONG DIM 40

MALE TERMINALS VARIABLE SETTING



MALE TERMINALS SETTING



on the top (x2) 0.2 0.1 0.3 0.1 0.7 0.2

on the top (x2) 0.3 0.1 0.7 0.2

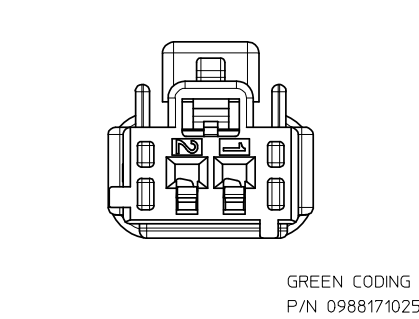
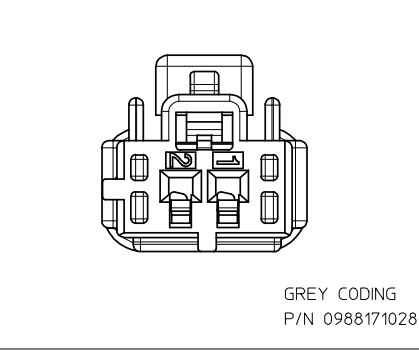
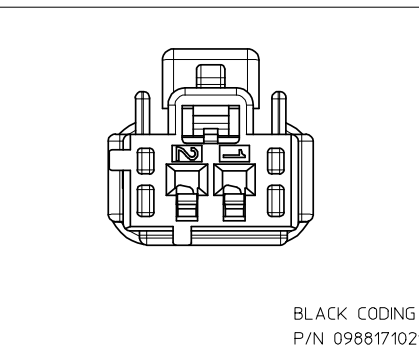
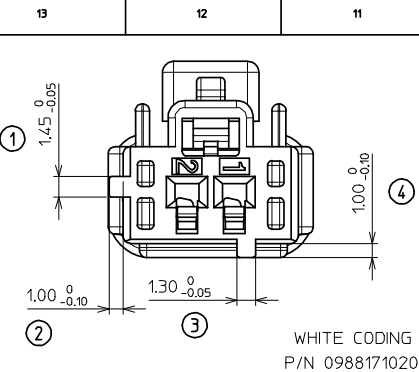
B Axis G Surface

REV.	1	71		
	FIRST	LAST	DELETED	SUPERSEDED
INSPECTION NUMBERS				

PRINT 1ST RELEASE EC NO: G2012-0179 DRAWN BY: GDESBRUERES 2012/04/18 CHKD: JDUCCLOS 2012/04/18 APPROVED: OPLESSIS 2012/04/23	QUALITY SYMBOLS ✓ ✓ ✓	GENERAL TOLERANCES (UNLESS SPECIFIED)	
		mm	INCH
		4 PLACES ±	±
		3 PLACES ±	±
2 PLACES ±	±0.1	±	±
1 PLACE ±	±0.1	±	±
0 PLACE ±	±	±	±
ANGULAR ± 2°		DRAFT WHERE APPLICABLE MUST REMAIN WITHIN DIMENSIONS	

DIMENSION STYLE		SCALE	DESIGN UNITS	FIRST ANGLE PROJECTION
MM ONLY		4:1	METRIC	☑
DRAWN BY	DATE	CHECKED BY	DATE	APPROVED BY
GDESBRUERES	2012/04/18	JDUCCLOS	2012/04/18	OPLESSIS
MATERIAL NO.		N/A		

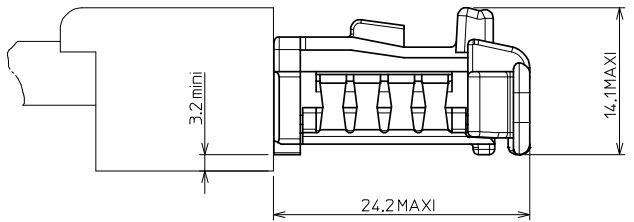
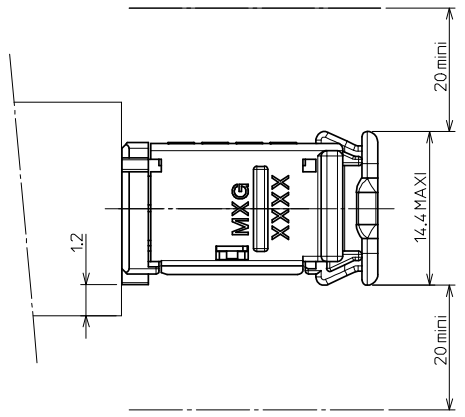
REV.	MODIFICATIONS
A	-PRINT FIRST RELEASE
TITLE	
2W INTERFACE 15 TERM. (FOR FEMALE HOUSING)	
molex	
DOCUMENT NO.	SHEET NO.
SD-98815-002	1 OF 1
THIS DRAWING CONTAINS INFORMATION THAT IS PROPRIETARY TO MOLEX INCORPORATED AND SHOULD NOT BE USED WITHOUT WRITTEN PERMISSION	



CODING 4:1

HANDLING AREA

AREA REQUIRED TO MATE AND UNMATE THE CONNECTOR



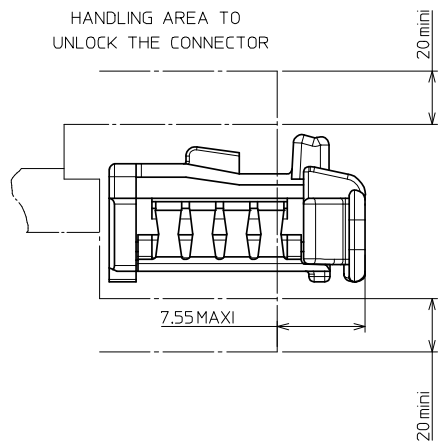
NOTE : 1 - The using conditions of the hinge are shown in the MOLEX specification n°AS-98821-001.

- 2 - Female terminal used : SCC RCPT TERM 1.5mm
 - Range 1 : 0988971109 (0.22 mm² to 2x0.22 mm²)
 - Range 2 : 0988971119 (0.5 mm² to 1 mm² included)
 - Range 3 : 0988971129 (2x0.5 mm² to 2 mm² included)

3 - Female connector will mate with male connector P/N 098822102x.

AREA REQUIRED WHEN THE CONNECTOR IS MATED

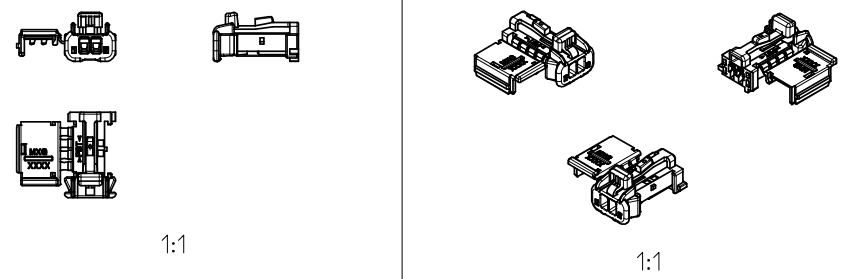
HANDLING AREA TO UNLOCK THE CONNECTOR



FIRST RELEASE EC NO: G2007-0386 DRAWN: LPOUCHAUD 2008/03/10 CHKD: YIGEL 2008/03/10 APPR: LSTICKEIR 2008/03/10	DESCRIPTION REV A	GENERAL TOLERANCES (UNLESS SPECIFIED)		DIMENSION STYLE MM ONLY	SCALE 3:1	DESIGN UNITS METRIC	THIRD ANGLE PROJECTION	
		4 PLACES ± --- ± ---	mm INCH	DRAWN BY LPOUCHAUD	DATE 2008/01/17	TITLE NSCC RCPT HSG 1.5 2CKT		
		3 PLACES ± --- ± ---		CHECKED BY YIGEL	DATE 2008/01/17	MOLEX INCORPORATED		
		2 PLACES ± 0.05 ± ---		APPROVED BY LSTICKEIR	DATE 2008/01/25	MATERIAL NO. SD-98817-001	DOCUMENT NO.	SHEET NO. 1 OF 2
		ANGULAR ± 1 °		SEE CHART				
		DRAFT WHERE APPLICABLE MUST REMAIN WITHIN DIMENSIONS		THIS DRAWING CONTAINS INFORMATION THAT IS PROPRIETARY TO MOLEX INCORPORATED AND SHOULD NOT BE USED WITHOUT WRITTEN PERMISSION				

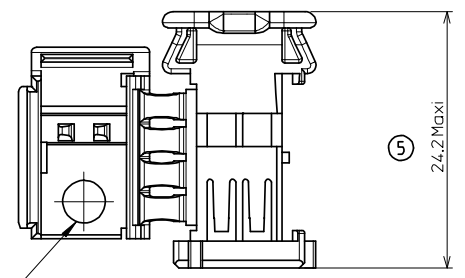
13 12 11 10 9 8 7 6 5 4 3 2 1

J I H G F E D C B A



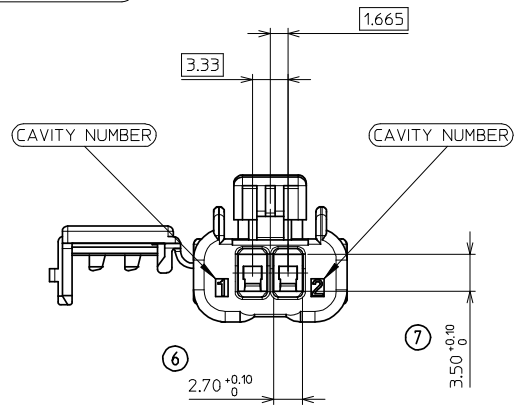
1:1

1:1



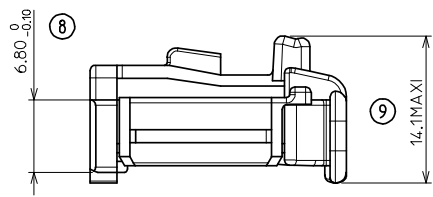
5
24.2 Maxi

DATUM MONTH/YEAR



6

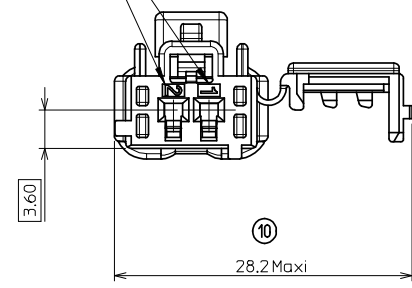
7



6.80 0/0.10
8

9
14.1 MAXI

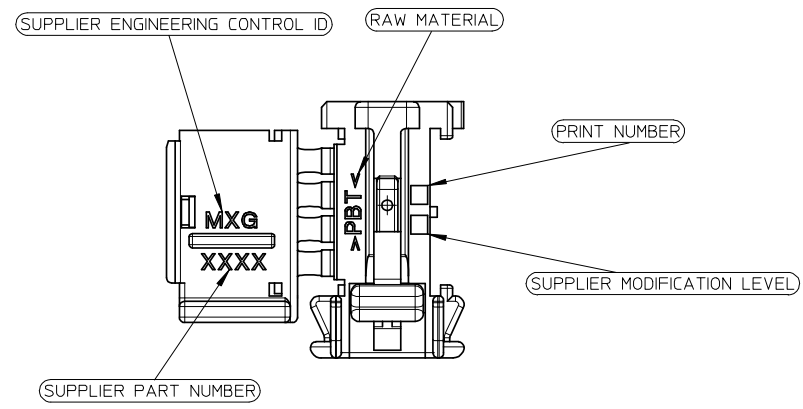
CAVITY NUMBER



0.9E

10

28.2 Maxi



SUPPLIER PART NUMBER

GREEN CODING (P/N 0988171025) IS SHOWN.

NSCC Rcpt Hsg 1.5 2CKT	0988171028	Grey	POLYESTER (PBT)	1.723 g			
	0988171025	Green					
	0988171021	Black					
	0988171020	White					
Description	Part-Number	Color	Raw Material	Weight effective			
FIRST RELEASE EC NO: G2007-0386 DRWN: LPOUCHAUD 2008/03/10 CHKD: YIGEL 2008/03/10 APPR: LSTICKEIR 2008/03/10	QUALITY SYMBOLS ▽=0 ▽=0	GENERAL TOLERANCES (UNLESS SPECIFIED)		DIMENSION STYLE MM ONLY	SCALE 3:1	DESIGN UNITS METRIC	THIRD ANGLE PROJECTION
		4 PLACES ± --- ± --- 3 PLACES ± --- ± --- 2 PLACES ± 0.05 ± --- 1 PLACE ± 0.1 ± --- ANGULAR ± 1 °	mm INCH ± --- ± --- ± 0.05 ± --- ± 0.1 ± ---				
A	DESCRIPTION REV	DRAFT WHERE APPLICABLE MUST REMAIN WITHIN DIMENSIONS		CHECKED BY YIGEL	DATE 2008/01/17	TITLE NSCC RCPT HSG 1.5 2CKT	
		APPROVED BY LSTICKEIR		DATE 2008/01/25	MATERIAL NO. SEE CHART		DOCUMENT NO. SD-98817-001

12 11 10 9 8 7 6 5 4 3 2 1