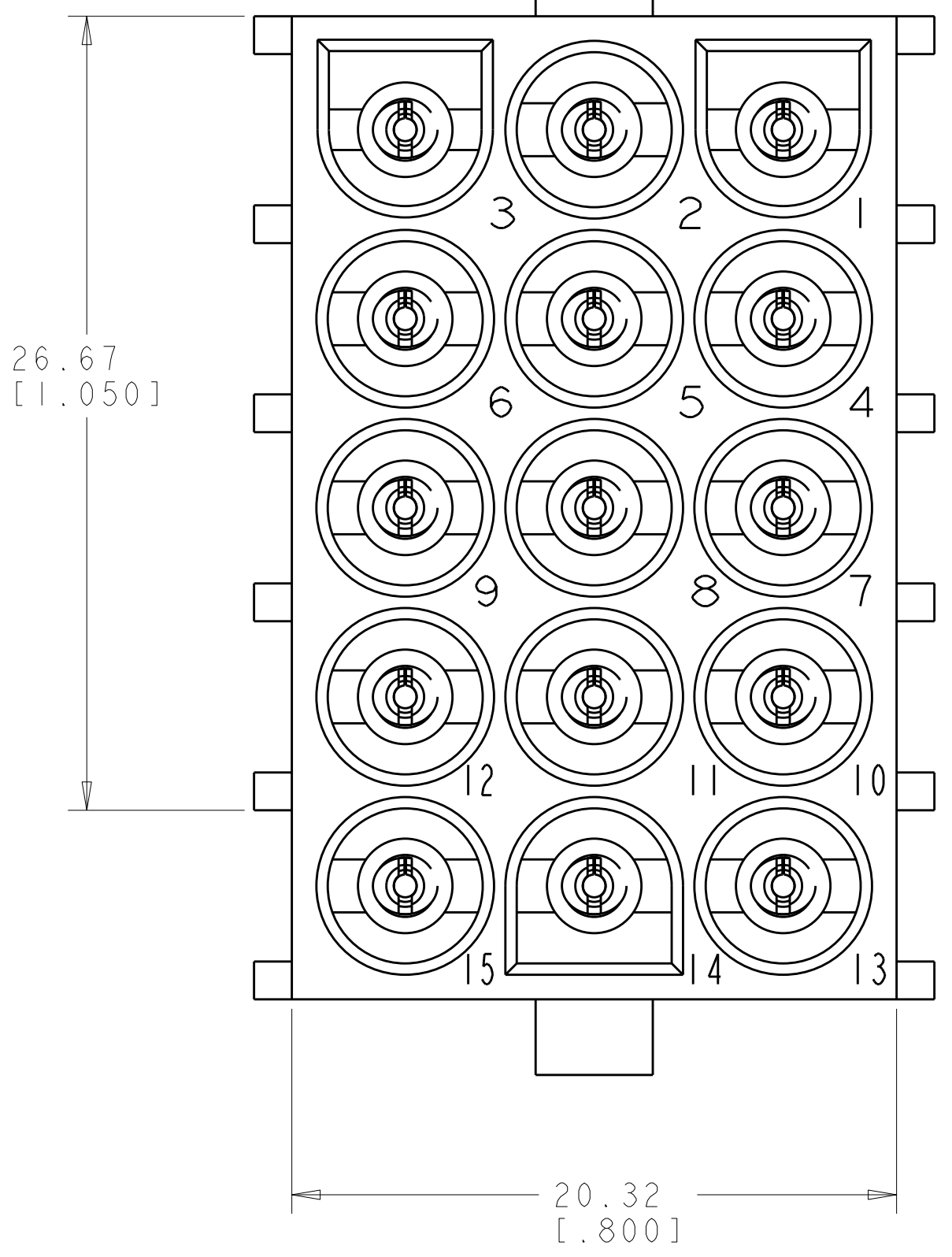
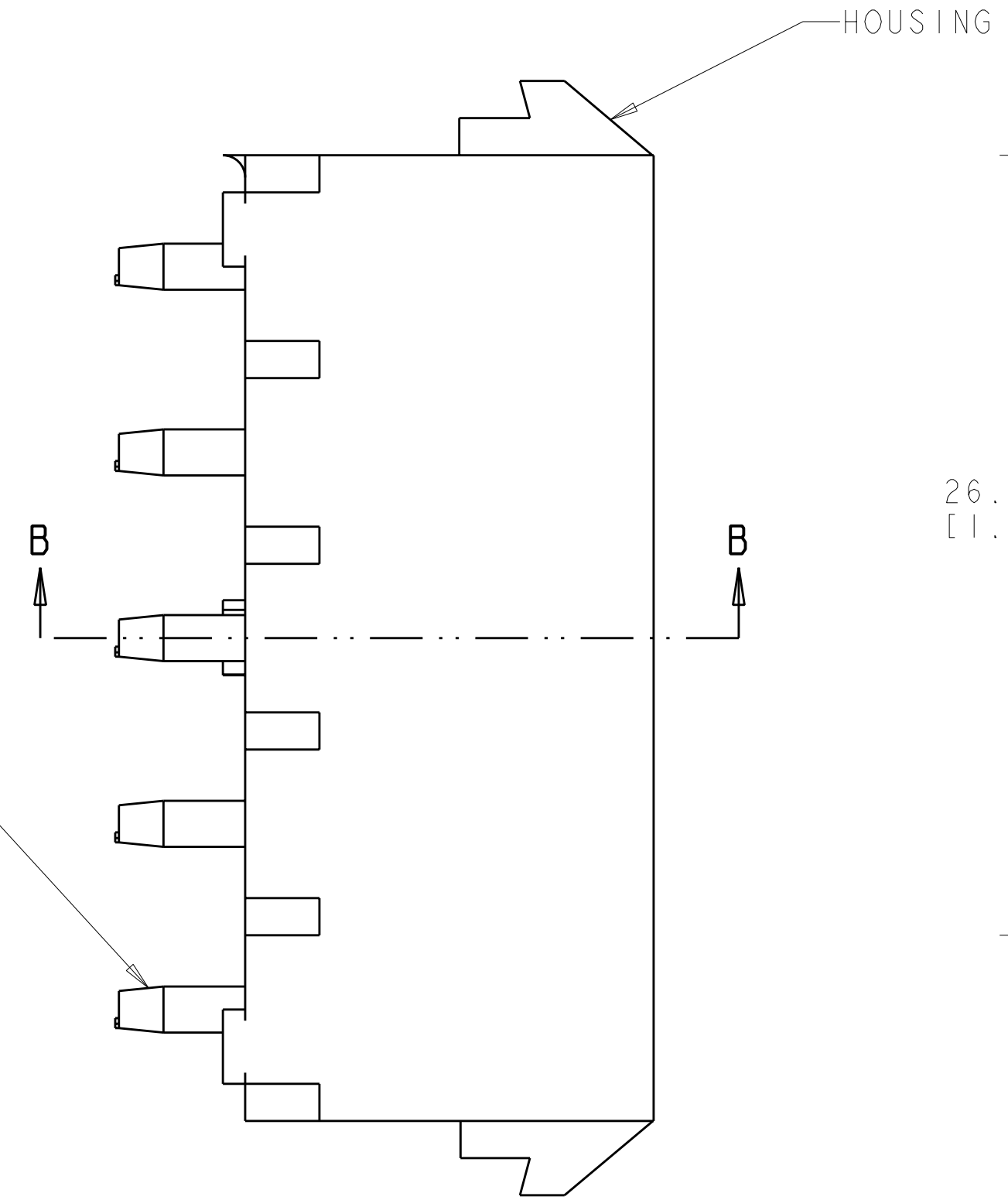
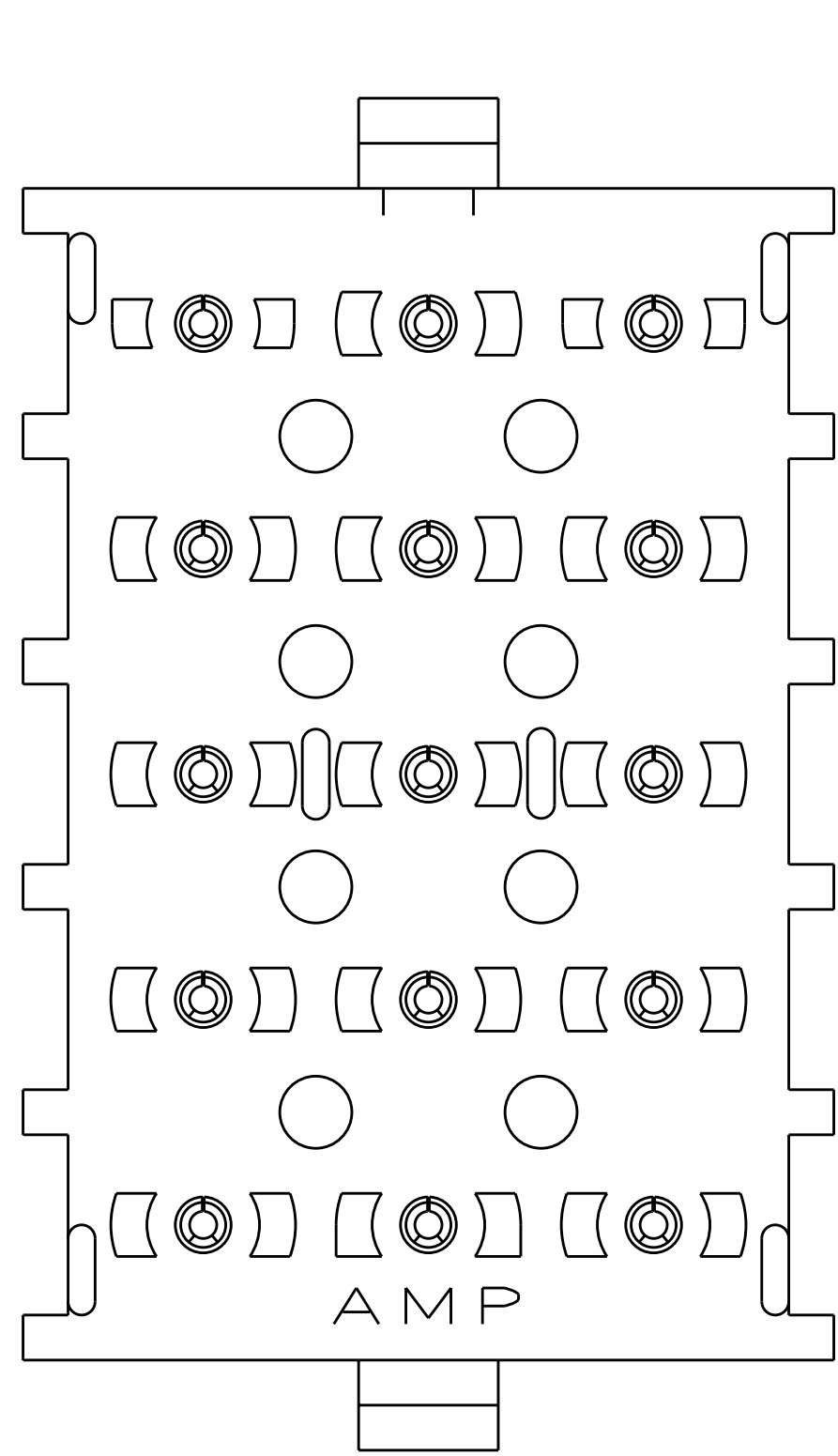
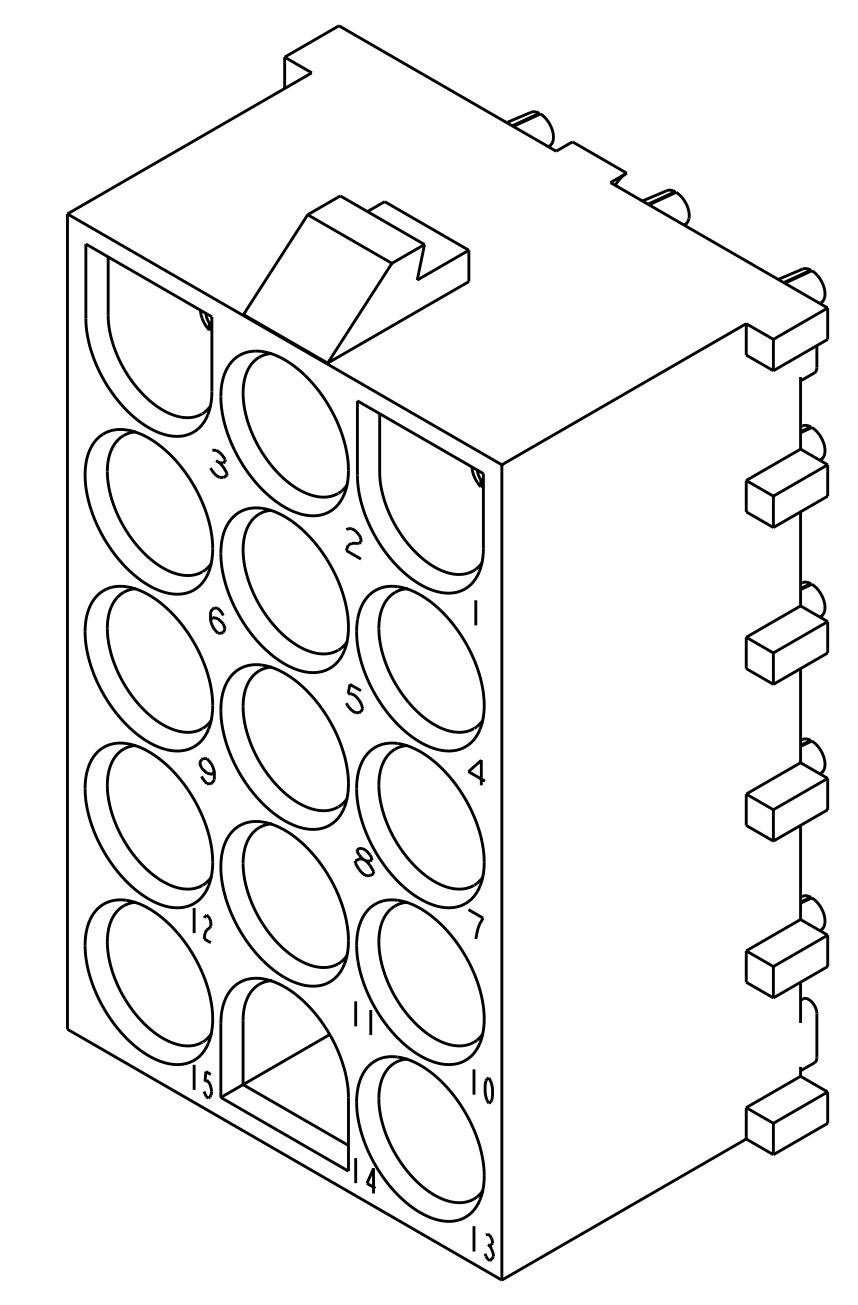


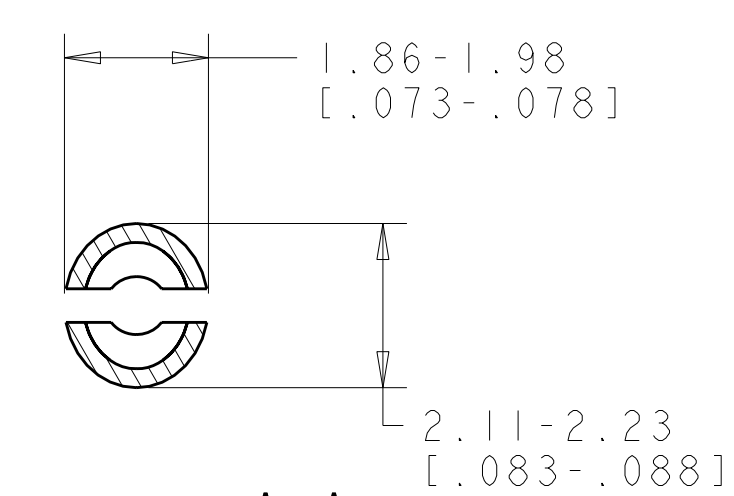
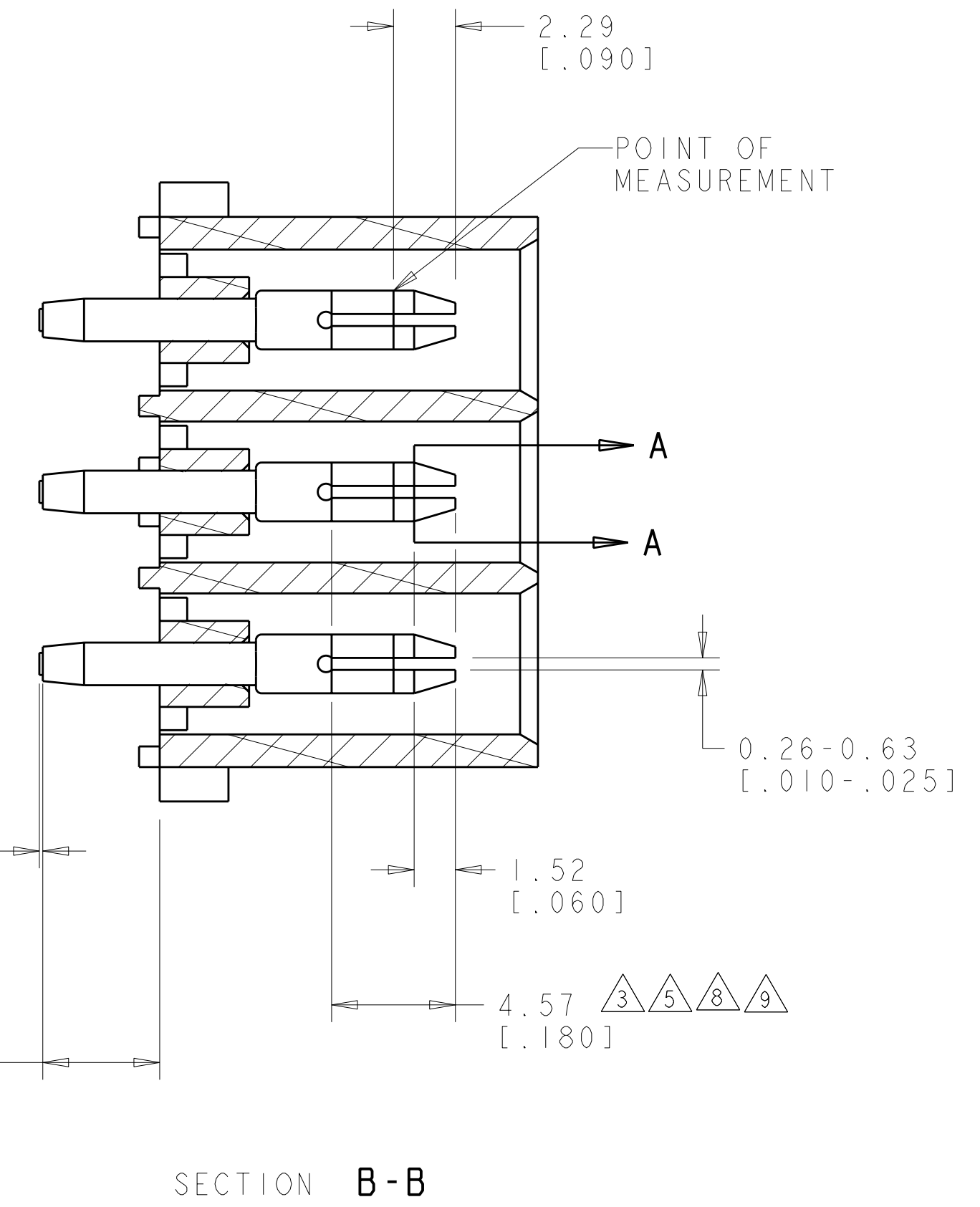
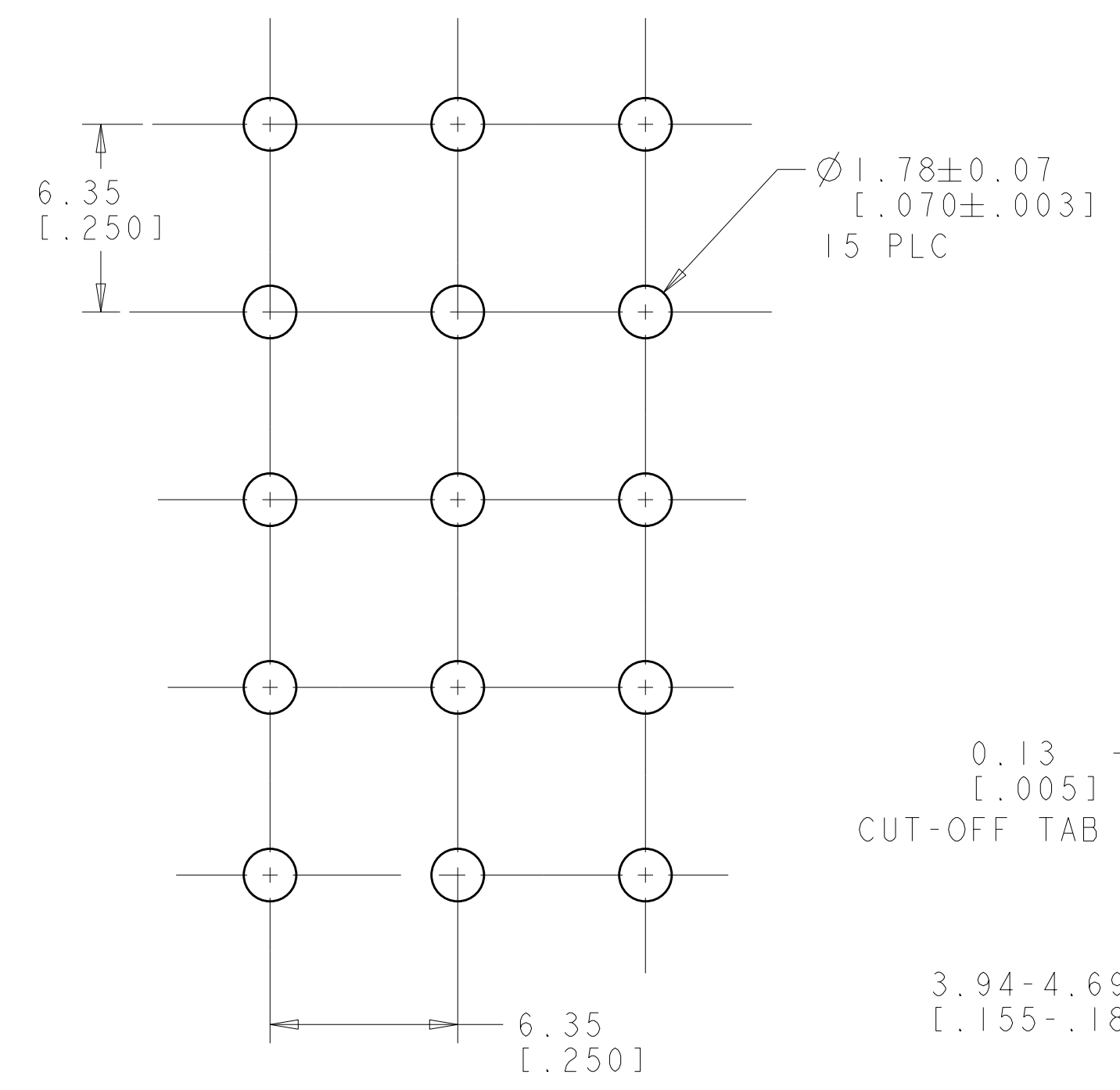
LOC	DIST	REV	DATE	BY	CHK	APPD
CM	00	P	26 JULY 05	KW	SR	
		P1	03 AUG 06	KW	SR	
		P2	07 DEC 2007	KW	DC	
		P3	15 JAN 10	KK	AE	



1. MATES WITH HOUSING 350736.
2. NOTE DELETED.
3. PARTS COMPLY TO AMP SOLDERABILITY SPECIFICATION 109-11-3.
4. CONTACT IS PLATED OVERALL WITH 0.00127 [.000050] NICKEL, THEN 0.00076 [.000030] GOLD OVER CONTACT LENGTH INDICATED AND TIN LEAD ON SOLDER TAIL END.
5. CONTACT IS PLATED OVERALL WITH 0.00127 [.000050] NICKEL, THEN 0.00038 [.000015] GOLD OVER CONTACT LENGTH INDICATED AND TIN LEAD ON SOLDER TAIL END.
6. PACKAGED PER SPEC 107-1202.
7. CIRCUIT IDENTIFICATION CHARACTERS ARE ADJACENT TO THE INDICATED CAVITIES, BUT LOCATION AND ORIENTATION MAY DIFFER FROM PRINT.
8. CONTACT IS PLATED OVERALL WITH 0.00127 [.000050] NICKEL, THEN 0.00076 [.000030] GOLD OVER CONTACT LENGTH INDICATED AND MATTE TIN ON SOLDER TAIL END.
9. CONTACT IS PLATED OVERALL WITH 0.00127 [.000050] NICKEL, THEN 0.00038 [.000015] GOLD OVER CONTACT LENGTH INDICATED AND MATTE TIN ON SOLDER TAIL END.
10. DIMENSIONS IN BRACKETS ARE IN INCHES.
11. OBSOLETE PARTS: OBSOLETE CIS STREAMLINING PER D.RENAUD/D.SINISI



3 DIMENSIONAL MODEL SCALE 4:1



SECTION A-A SCALE 10:1

FINISH	CONTACT MATERIAL	HOUSING MATERIAL AND COLOR	PART NUMBER
6	PHOSPOR BRONZE, PRE-TIN	NYLON, UL94V-0, NATURAL	I-350714-1
9	PHOSPOR BRONZE, GOLD	NYLON, UL94V-0, NATURAL	350714-5
8	PHOSPOR BRONZE, GOLD	NYLON, UL94V-0, NATURAL	350714-4
3	PHOSPOR BRONZE, GOLD	NYLON, UL94V-0, NATURAL	350714-3
4	PHOSPOR BRONZE, GOLD	NYLON, UL94V-0, NATURAL	350714-2
	PHOSPOR BRONZE, PRE-TIN	NYLON, UL94V-0, NATURAL	350714-1
PIN CONTACT MATERIAL AND FINISH		HOUSING MATERIAL AND COLOR	PART NUMBER

RECOMMENDED MOUNTING HOLE PATTERN FOR 1.57 [.062] THICK P.C. BOARD HOLE THAT CORRESPONDS TO REMOVED CONTACT CAN BE OMITTED



DIMENSIONS: mm [INCHES] TOLERANCES UNLESS OTHERWISE SPECIFIED: 9 PLC ± .013 [.005] 5 PLC ± .013 [.005] 4 PLC ± .013 [.005] ANGLES ± 30°		DWN: R. WHITAKER 26 JULY 2005 CHK: S. RIDGILL 26 JULY 2005 APPD: S. RIDGILL 26 JULY 2005 PRODUCT SPEC: - APPLICATION SPEC: - WEIGHT: - FINISH: SEE TABLE		Tyco Electronics Harrisburg, PA 17105-3608 NAME: PIN HEADER ASSEMBLY, 15 CIRCUIT, UNIVERSAL MATE-N-LOK(TM) SIZE: A11 CAGE CODE: 00779 DRAWING NO: 350714 RESTRICTED TO: - SCALE: 1:1 SHEET: 1 OF 1 REV: P3	
--	--	--	--	---	--