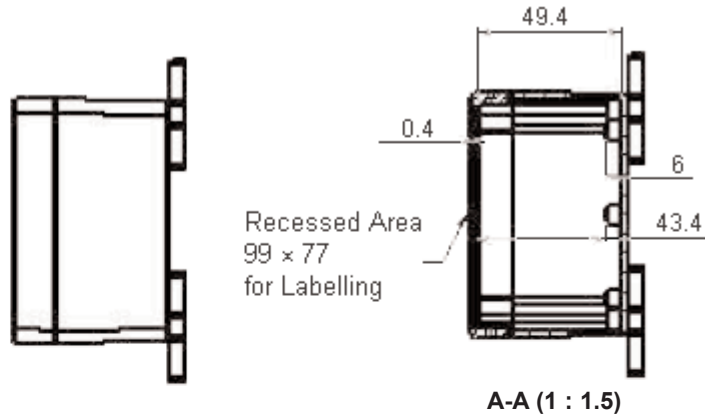
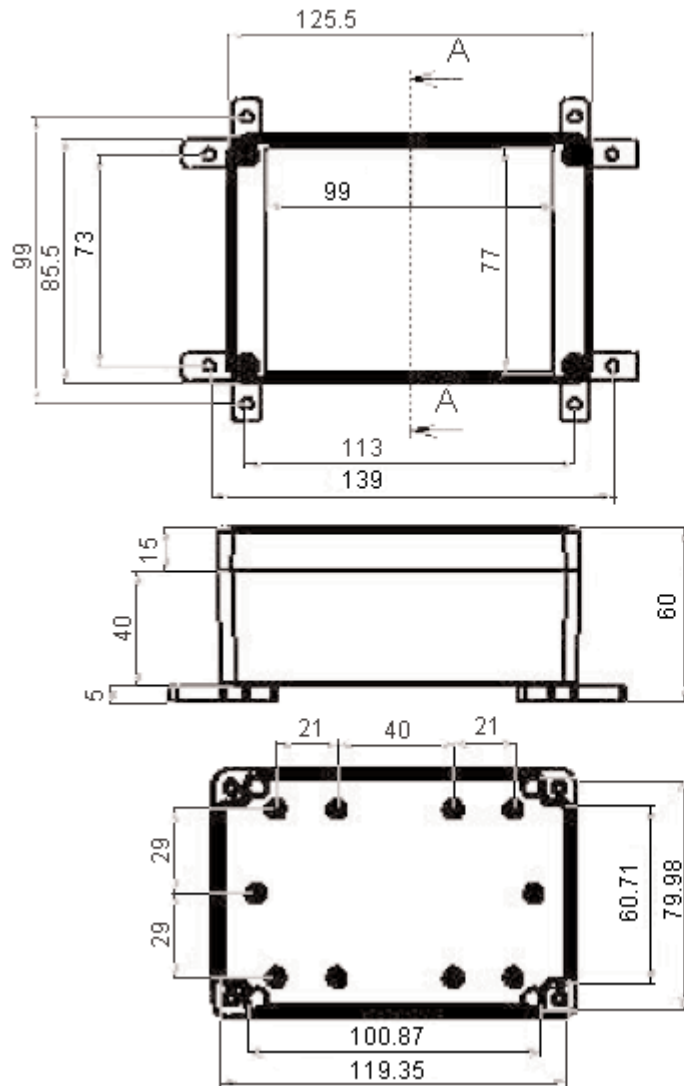


PART NO.

MCRP Series

REVISIONS

ECN #	REV	DESCRIPTION	DRAWN	DATE	CHECKD	DATE	APPRVD	DATE
-	A	RELEASED	ASH	14/5/12	SID	14/5/12		28/5/12



Recessed Area  
99 x 77  
for Labelling

A-A (1 : 1.5)

Dimensions : Millimetres

**Important Notice :** This data sheet and its contents (the "Information") belong to the members of the Premier Farnell group of companies (the "Group") or are licensed to it. No licence is granted for the use of it other than for information purposes in connection with the products to which it relates. No licence of any intellectual property rights is granted. The Information is subject to change without notice and replaces all data sheets previously supplied. The Information supplied is believed to be accurate but the Group assumes no responsibility for its accuracy or completeness, any error in or omission from it or for any use made of it. Users of this data sheet should check for themselves the Information and the suitability of the products for their purpose and not make any assumptions based on information included or omitted. Liability for loss or damage resulting from any reliance on the Information or use of it (including liability resulting from negligence or where the Group was aware of the possibility of such loss or damage arising) is excluded. This will not operate to limit or restrict the Group's liability for death or personal injury resulting from its negligence. Multicomp is the registered trademark of the Group. © Premier Farnell plc 2012.

**TOLERANCES:**  
**UNLESS OTHERWISE SPECIFIED, DIMENSIONS ARE FOR REFERENCE PURPOSES ONLY.**

<b>DRAWN BY:</b>	<b>DATE:</b>
ASH	14/05/12
<b>CHECKED BY:</b>	<b>DATE:</b>
SID	14/05/12
<b>APPROVED BY:</b>	<b>DATE:</b>
	28/05/12

<b>DRAWING TITLE:</b>			
<b>Weatherproof Enclosure - Polycarbonate and ABS</b>			
<b>SIZE</b>	<b>DWG NO.</b>	<b>ELECTRONIC FILE</b>	<b>REV</b>
A	M10000712	RP1135_DWG	A
<b>SCALE: NTS</b>		<b>U.O.M.: mm</b>	<b>SHEET: 1 OF 2</b>



PART NO.

MCRP Series

REVISIONS

ECN #	REV	DESCRIPTION	DRAWN	DATE	CHECKD	DATE	APPRVD	DATE
-	A	RELEASED	ASH	14/5/12	SID	14/5/12		28/5/12

Specifications:

Waterproof : IP65  
 Supply : Stainless fixing screws × 4 pieces  
           EPDM gasket × 1 piece  
           PCB mounting screw × 4 pieces  
 Option : Mounting plate : Sheet metal × 1 piece  
           Mounting feet : MF0045 × 4 pieces

Specification Table

Material	Size (L × W × D)	Part Number
Polycarbonate	125 × 85 × 55	MCRP1130
ABS		MCRP1135

Dimensions : Millimetres

www.element14.com  
 www.farnell.com  
 www.newark.com

**Important Notice :** This data sheet and its contents (the "Information") belong to the members of the Premier Farnell group of companies (the "Group") or are licensed to it. No licence is granted for the use of it other than for information purposes in connection with the products to which it relates. No licence of any intellectual property rights is granted. The Information is subject to change without notice and replaces all data sheets previously supplied. The Information supplied is believed to be accurate but the Group assumes no responsibility for its accuracy or completeness, any error in or omission from it or for any use made of it. Users of this data sheet should check for themselves the information and the suitability of the products for their purpose and not make any assumptions based on information included or omitted. Liability for loss or damage resulting from any reliance on the Information or use of it (including liability resulting from negligence or where the Group was aware of the possibility of such loss or damage arising) is excluded. This will not operate to limit or restrict the Group's liability for death or personal injury resulting from its negligence. Multicomp is the registered trademark of the Group. © Premier Farnell plc 2012.

<b>TOLERANCES:</b>  <b>UNLESS OTHERWISE SPECIFIED, DIMENSIONS ARE FOR REFERENCE PURPOSES ONLY.</b>	<b>DRAWN BY:</b>	<b>DATE:</b>	<b>DRAWING TITLE:</b> <b>Weatherproof Enclosure - Polycarbonate and ABS</b>			
	ASH	14/05/12				
	<b>CHECKED BY:</b>	<b>DATE:</b>	<b>SIZE</b> <b>A</b>	<b>DWG NO.</b> <b>M10000712</b>	<b>ELECTRONIC FILE</b> <b>RP1135_DWG</b>	<b>REV</b> <b>A</b>
	SID	14/05/12				
	<b>APPROVED BY:</b>	<b>DATE:</b>	<b>SCALE: NTS</b>		<b>U.O.M.: mm</b>	
	28/05/12	<b>SHEET: 2 OF 2</b>				