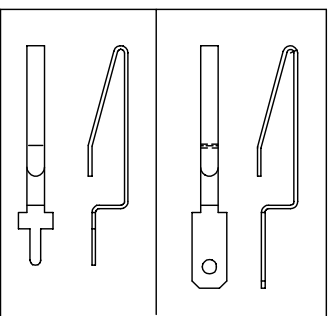
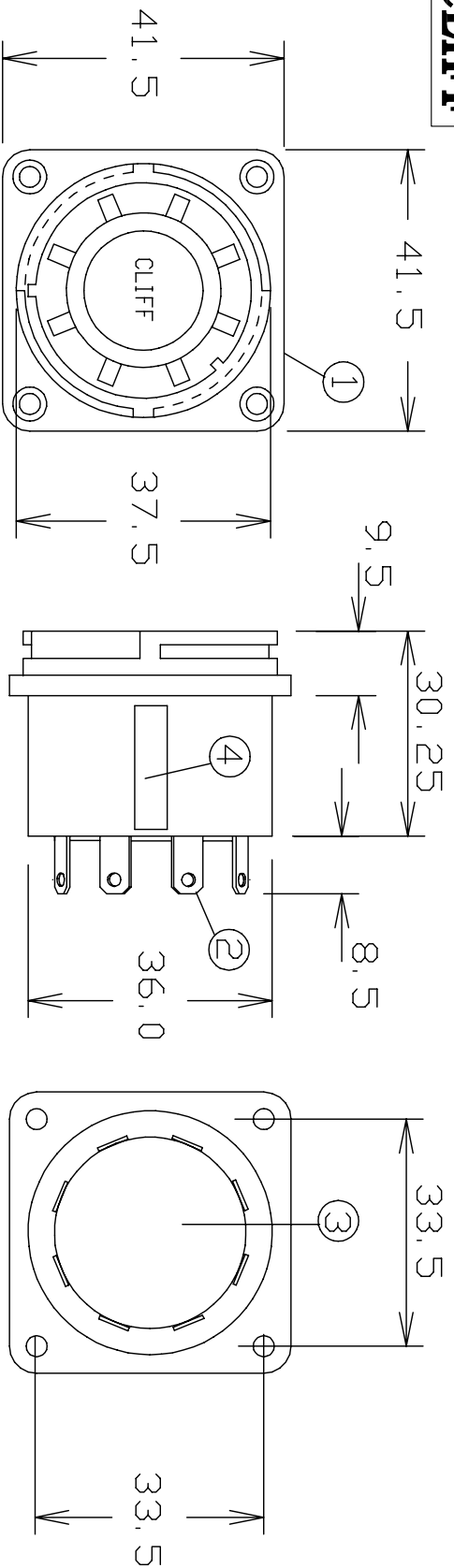


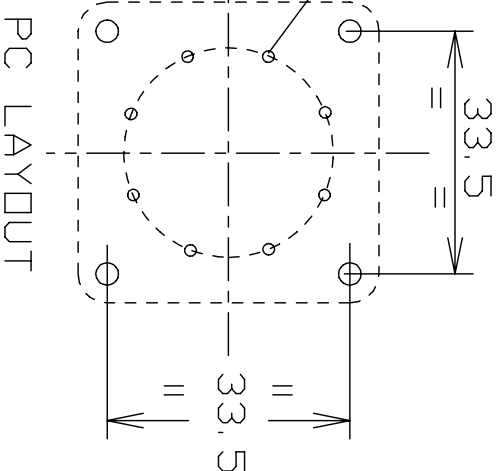
**CLIFF**



STD CONTACT #633  
FCR 6930SA2T

PC CONTACT #633PC  
FCR 6930SA6T

8 HOLES 1.6 Ø  
EQUI-SPACED ON  
28.9 P.C.D.



ITEM	DESC	MATL	No PER	P/No.	NOTES
1	BODY	GF / POLYAMIDE (BLK)	1	FCR2074SA1	
2	CONTACT	PbRz / Sn PLATED	8	FCR6930SA2T	TIN PLATED
3	RETAINER	POLYAMIDE (BLK)	1	FCR2074SA2	
4	PRINTING (CUSTOM MODEL)	INK (WHITE)	1	FCR20741	

IMPORTANT: FOR USE WITH PLUG FCR2072 ISSUE 12 OR LATER.  
NOT COMPATIBLE WITH OLDER VERSION PLUG FCR2072 ISSUE 11 AND BEFORE.

**Cliff Electronic Components Ltd.**

76 Holmechurpe Avenue, Holmechurpe Industrial Estate,  
Redhill, Surrey, RH1 2PF, England, UK  
Tel: 01737-771375 Fax: 01737-766012 Website: www.cliffuk.co.uk

THE CONTENTS OF THIS DOCUMENT MUST NOT BE COPIED OR DISCLOSED  
TO A 3rd PARTY WITHOUT WRITTEN PERMISSION OF CLIFF UK. © 1996

DIMENSIONS IN MILLIMETERS UNLESS OTHERWISE STATED. WORK TO DIMENSIONS, REMOVE ALL BURRS, IF IN DOUBT ASK

MATERIAL:	COMPOSITE
FINISH:	CLEAN
DRAWN:	CAMU
APPROVED:	RWT

TITLE: CLIFFCON 8PC/S SOCKET (8 POLE)  
DRAWG. No. **FCR 2074**

3rd ANGLE PROJECTION:

DO NOT SCALE

**ROHS**  
COMPLIANT

TOLERANCE  
NO DEC. PLACE ±  
1 DEC. PLACE ±0.20  
2 DEC. PLACE ±  
HOLE Ø ±  
ANGLES ±1/2°  
UNLESS  
OTHERWISE STATED

VARIANTS

P/No.	DESC
FCR 20741	8PC/S RS215-6420
FCR 20742	8PC/S-PC

RATED  
15A @ 20°C INTERMITTANT.

ISS.	AMEND	DATE
1	1 <sup>st</sup> DRAWN	20/03/96
2	FCR6930SA2 ADD	26/04/96
3	PbRz WAS BeCu	26/06/96
4	WAS FCG936	04/07/96
5	CONTACTS ADD	11/10/96
6	PC P/No CORRECT	09/01/97
7	WAS CL2074	07/12/04
8	NOTE REMOVED	21/03/05
9	LOCATION RB ADD	20/03/12