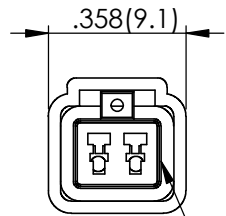
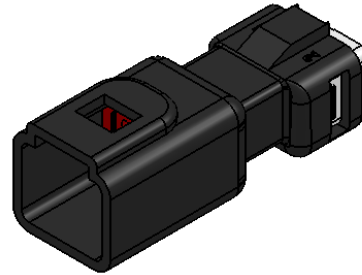
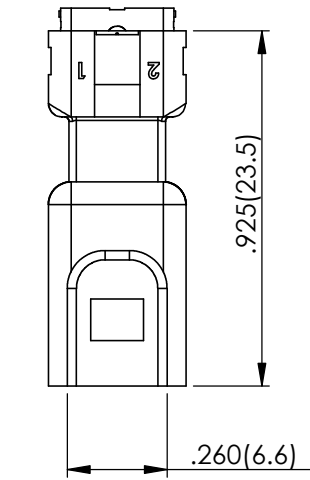


THIS IS A C.A.D. GENERATED DRAWING  
DO NOT MAKE MANUAL REVISIONS TO MASTER

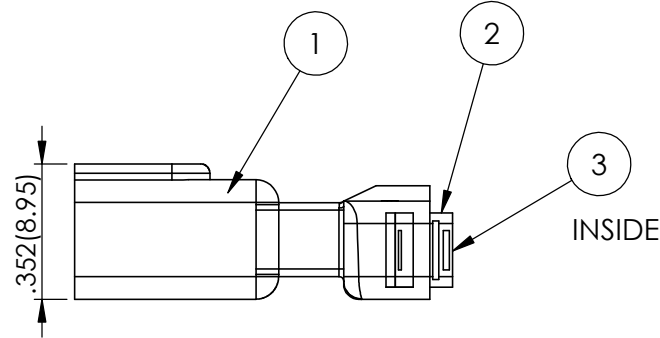


ISSUE NUMBER

ORIGINAL



4 INSIDE



**MATERIALS:**

1. HOUSING: PBT, UL94V-0, BLACK COLOR
2. INSULATOR: PBT, UL94V-0, WHITE COLOR
3. WIRE-HOUSING SEAL: SILICON RUBBER

**SPECIFICATIONS**

1. PITCH: 2.5MM
2. RATED VOLTAGE: 250V
3. RATED CURRENT: 3A MAX
4. WITHSTAND VOLTAGE: AC 1000V R.M.S.
5. CONTACT RESISTANCE: 15 MOHMS MAX
6. INSULATION RESISTANCE:  
1000 MOHMS MIN/DC 500V
7. TEMPERATURE RANGE: -40°C ~ +105°C
8. WATERPROOF GRADE: TESTED AND  
CERTIFIED TO IP67

ITEM NO.	DESCRIPTION	QTY.
1	565-002-000-310_Housing	1
2	565-002-000-310_Rear Insulator	1
3	565-002-000-310_Rear Gasket	1
4	565-002-000-310_Front Gasket	1

Waterproof Connector, Insulator, Male, Black,  
2Pin (22-28AWG)  
565-002-000-310

ACAD REFERENCE NO. 565-002-000-310

DRAWN: R.STA.MONICA DATE: OCT.22/10

CHECKED: DATE:

SCALE: NOT TO SCALE SHEET 1 OF 1

DRAWING NUMBER ISSUE

565-002-000-310

1



THIS SERIES FULLY CONFORMS TO THE  
EUROPEAN UNION DIRECTIVES 2002/95/EC  
AND 2002/96/EC FOR RoHS COMPLIANCY

**EDAC** EDAC INC  
TORONTO, ONTARIO  
CANADA  
YOUR CONNECTION TO QUALITY & SERVICE

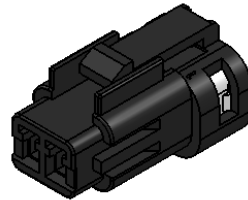
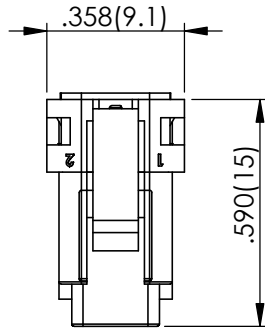
THESE DRAWINGS AND SPECIFICATIONS  
ARE THE PROPERTY OF EDAC INC., AND  
SHALL NOT BE REPRODUCED, OR COPIED  
OR USED AS THE BASIS FOR THE  
MANUFACTURE OR SALE OF APPARATUS  
WITHOUT WRITTEN PERMISSION.

THIS IS A C.A.D. GENERATED DRAWING  
DO NOT MAKE MANUAL REVISIONS TO MASTER



ISSUE NUMBER

ORIGINAL

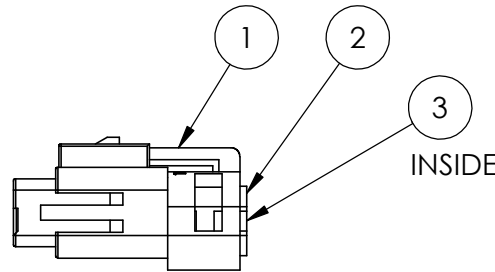
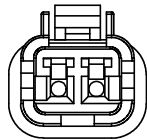


**MATERIALS:**

1. HOUSING: PBT, UL94V-0, BLACK COLOR
2. INSULATOR: PBT, UL94V-0, WHITE COLOR
3. WIRE-HOUSING SEAL: SILICON RUBBER

**SPECIFICATIONS**

1. PITCH: 2.5MM
2. RATED VOLTAGE: 250V
3. RATED CURRENT: 3A MAX
4. WITHSTAND VOLTAGE: AC1000V R.M.S.
5. CONTACT RESISTANCE: 15 mOHMS MAX
6. INSULATION RESISTANCE:  
1000 MOHMS MIN/DC 500V
7. TEMPERATURE RANGE: -40°C ~ +105°C
8. WATERPROOF GRADE: TESTED AND  
CERTIFIED TO IP67



ITEM NO.	DESCRIPTION	QTY.
1	565-002-000-410_Housing	1
2	565-002-000-410_Rear Insulator	1
3	565-002-000-410_Rear Gasket	1

Waterproof Connector, Insulator, Female,  
Black, 2Pin (22-28AWG)  
565-002-000-410

ACAD REFERENCE NO. 565-002-000-410

DRAWN: R.STA.MONICA DATE: OCT.22/10

CHECKED: DATE:

SCALE: NOT TO SCALE SHEET 1 OF 1

DRAWING NUMBER ISSUE

565-002-000-410

1



THIS SERIES FULLY CONFORMS TO THE  
EUROPEAN UNION DIRECTIVES 2002/95/EC  
AND 2002/96/EC FOR RoHS COMPLIANCY



EDAC INC  
TORONTO, ONTARIO  
CANADA  
YOUR CONNECTION TO QUALITY & SERVICE

THESE DRAWINGS AND SPECIFICATIONS  
ARE THE PROPERTY OF EDAC INC., AND  
SHALL NOT BE REPRODUCED, OR COPIED  
OR USED AS THE BASIS FOR THE  
MANUFACTURE OR SALE OF APPARATUS  
WITHOUT WRITTEN PERMISSION.