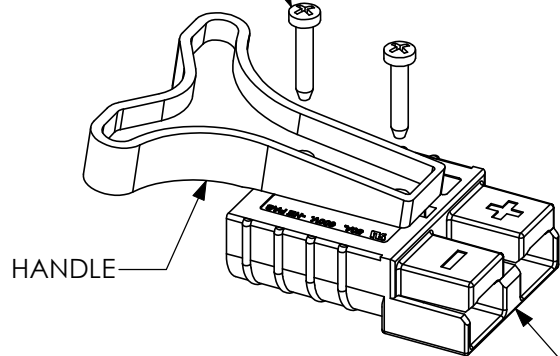


THE INFORMATION CONTAINED IN THIS DRAWING IS THE SOLE PROPERTY OF ANDERSON POWER PRODUCTS. ANY REPRODUCTION IN PART OR WHOLE WITHOUT THE WRITTEN PERMISSION OF ANDERSON POWER PRODUCTS IS PROHIBITED.

Copyright 2008

ANDERSON POWER PRODUCTS RESERVES THE RIGHT TO ALTER PRODUCT TYPES, THEIR TECHNICAL DATA, DIMENSION, STYLE AND ACCESSORIES WITHOUT PRIOR NOTIFICATION.

(2) SELF-TAPPING SCREWS

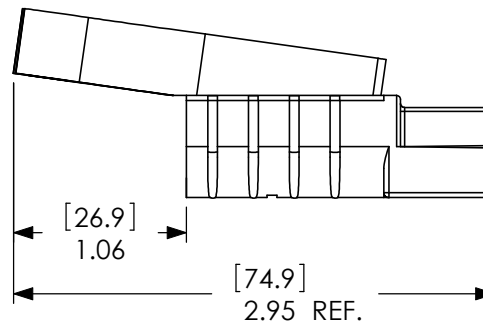
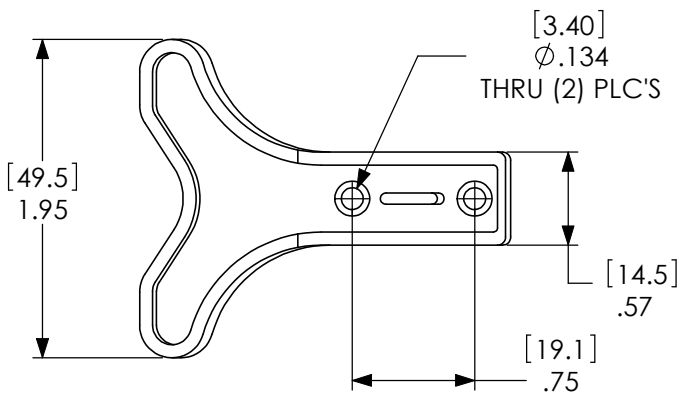
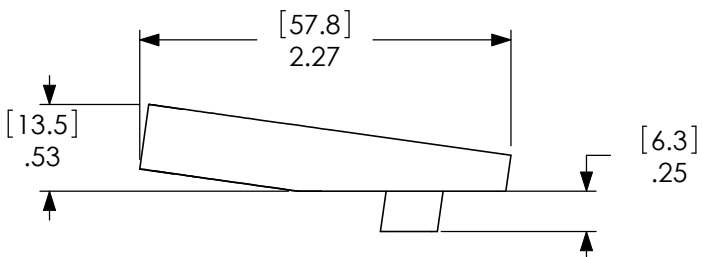


HANDLE

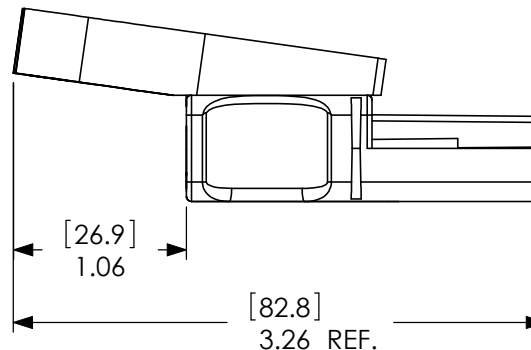
NOTES:

1. CONNECTORS SOLD SEPARATELY
2. KIT INCLUDES HANDLE AND (2) SELF-TAPPING SCREWS
3. MATERIALS:
HANDLE - POLYCARBONATE
SCREWS - STEEL, ZINC-PLATED

CONNECTOR HOUSING (SB50, SBS50, SBS75X)



SB50 MOUNTING ORIENTATION



SBS50 & SBS75X MOUNTING ORIENTATION

DIMENSIONS ARE IN:		APPROVALS	
INCH[MM]		DRAWN	GN 06/03/96
UNLESS OTHERWISE STATED		CHECKED	CMS 08/25/97
TOLERANCES:		MFG APP	KJ 08/25/97
DECIMALS (INCH)	DECIMALS (MM) ANGLES	QC APP	DJM 08/26/97
.XX ±.02	.X ±.5 ±2°	ENG APP	UFN 08/26/97
SURFACE FINISH:		MATERIAL: SEE NOTES	
MACHINED 128 [3.2] ✓		FINISH: SEE NOTES	
MOLDED 64 [1.6] ✓			

ANDERSON POWER PRODUCTS		
TITLE		
PLASTIC HANDLE		
FOR USE WITH SB50, SBS50, SBS75X CONNECTORS (CAT. NO. SB50-HDL-RED)		
SIZE	DWG NO.	REV.
A/A4	113923S1	4

CAD GENERATED DRAWING - DO NOT MANUALLY UPDATE DO NOT SCALE

SCALE	CADFILE	SHEET
NONE	01422	1 OF 1

4	ECRN 14347 - REVISE & REDRAW	AMS	11/17/08
REV.	DESCRIPTION OF CHANGES	APPROVED	DATE