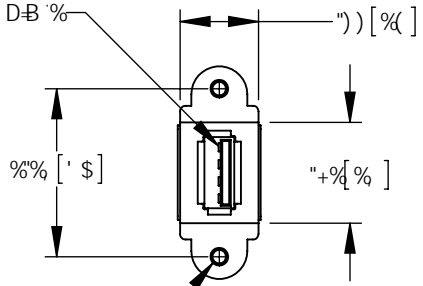
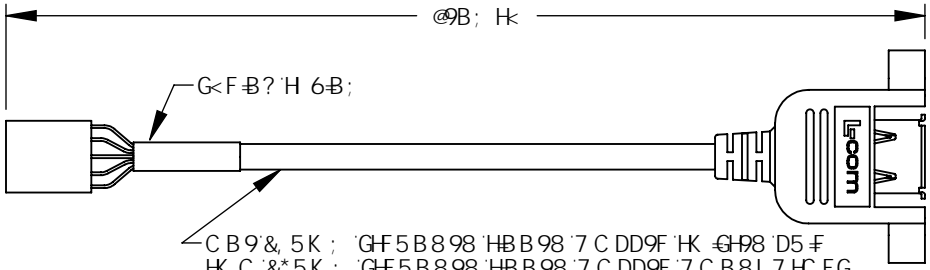
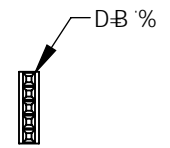


H:9`B: CFA 5HC B`7C B H5-B98`B`H:G`8F5K`B: "G`H:9`GC`@  
 DFC D9F HMC: @7CA 2-B7`5B MF9DFC81 7HC B`B D5FHC F K <C`@  
 K`H:C1 H H:9K F`H B D9FA`GGC B C: @7CA 2-B7`GDFC <6+98`

# Fc<G7ca d`JubhU

F9J GC BG			
F9J	89G7 F-DHC B	85H9	5DDFCJ 98
:	97B`((`.58898`\$)A 5B8`A`@9B: H:G	%#`\$#S-	8":F G9@C
:	97B`",.58898`@9B: H:G`\$+)A 2F9J`@98`\$`A`HC`-,".	%@#`#98	8":F G9@C
<	97B`" `&\$`58898`B9K`@7CA`@C: C 2F9J`@98`K`#9A 5D	,`#`#98	8":F G9@C
>	97B`"&+.58898`7C B H57 HD@5HB: BC H71 D85H98: CFA 5H	\$`#%`#98	8: D

8



C B9&, 5K; `GF5B898`H B B98`7C DD9F`H K`G`H8`D5 F  
 H K C`&\*5K; `GF5B898`H B B98`7C DD9F`7C B81`7HC FG  
 C J 9F5 @5 @A`B`A98`DC`@MG`H F`G<`9@8`K`H`8F5`B`  
 K`#9D@`G H B B98`7C DD9F`6F5`8`98`G<`9@8`  
 DJ`7`C I`H9F`>57?9H?;`F5 MFD5 BHC B9`(&(7 L

A C @898`<C C 8  
 5B8`GF5`B`F9@9: z  
 DJ 7 z;`F5 MFD5 BHC B9`(&(7 L

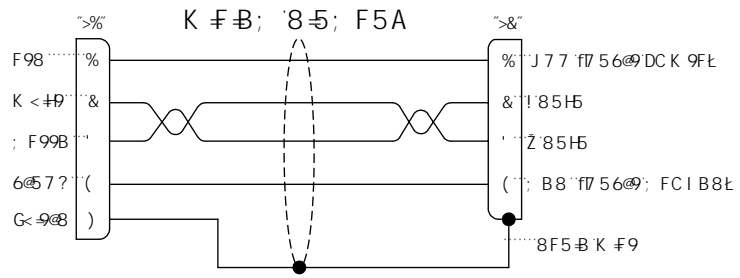
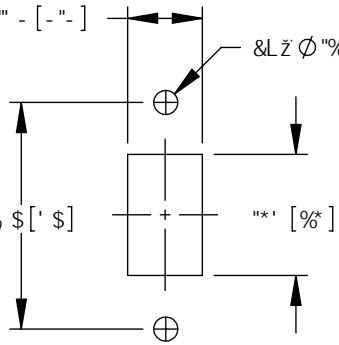
&L z`(!`\$! B7!&6  
 H: F95`898`B`G9F H  
 F9A`698`898 L  
 D9A`"G`P`6!`((`\$!`(  
 C F`9E I`#`5 @9B H

7

">%  
 )`D B: 9A 5 @  
 <C I`G B;  
 fl`%\$`\$`" `Q`"(a a Q  
 GD57`B: L  
 :`@5A`9F9H5F85BH  
 H`9FA`C D`@5GH7`z`6`57?

">&"  
 I G6`G9F`9G`"5`"F97`9DH57`@  
 D5B9@A`C I`B H  
 7C B H57`HG`" `S`±B7<9G  
 ;`C @8`D @5HB;

6



A C 89@B1 A 69F	@9B; H: A 9HFG`O`99H D
I DA 5)!\$`A	\$""`O`-,`Q
I DA 5)!\$)A	\$)"`O`*`*(Q
I DA 5)!\$+)A	\$"+`Q`*`*(`*Q
I DA 5)!\$A	%`\$`O`"&`,`Q
I DA 5)!&A	&`\$`O`")`*`Q
I DA 5)!`A	'`"\$`O`",`Q

5



BC H9G

%`"756@`5GG9A`6@MG<5@@<5J9`\*`\$`G<`9@8`H9FA`B5HC`B`  
 &`"756@`5GG9A`6@MG<5@@A`99HI`G6`&`\$`F9E I`#`9A`9BH`G`  
 ("`"756@`5GG9A`6@MG<5@@69`H9GH98: `C`F`7`C`B`H`B1`#`M  
 ('`"A`C`I`B`H`B;`<5F8K`5F9`B7`@`898:.`&L`",`((`(\$`L`",`@`,"`D`<`@@DG<8`G7`F9K  
 )"756@`5GG9A`6@MG<5@@69`B8`#`8I`5`@`MD57?5;`98`B`  
 "7577CF85B79K`H`K`@7CA`GD97`#`75HC`B`DG`\$`\$`%"`

<p>I B @9GC H:9K`@9D97`#`982          8A`9BGC BG5F9`B`B7&lt;9G`Q`a`Q          C J 9F5 @756@9 @9B: H: HC @9F5B79`          @&amp;O`S) O1`2`%`Q) O#1\$          2`%`O`S) O`%`S`O`&amp;`O1`Z`&amp;`O`%`#1\$          2`%`S`O`S) O`%`S`O`&amp;`O1`Z`&amp;`O`%`#1\$          2`\$`S`O`-`85O1`Z)1`#1\$1</p>	<p>5DDFCJ 5@G</p>	<p>85H9</p>		<p>( ) 6997&lt;K C C 8 8F#9          BC FH: 5B8C J 9FA 5          \$% ( )</p>			
<p>5@C H:9F`8A`9BGC B5@HC @9F5B79G          L`1`-`&amp;          L L 1`-`\$&amp;          L L L 1`-`\$\$</p>	<p>8F5K`B`6M          B": F`G`9@C          7&lt;97798`6M          B": C`F`H`B          5DDFCJ 98`6M          GGA`H:</p>	<p>(`#`#S.          (%`#S.          (%`#S.</p>		<p>75H9: CFM</p>	<p>I G6</p>		
<p>DFC &gt;97`HC B</p>	<p>7CB: #`1F5HC`B`89H5`@GC:          1B8`A`9BGC`B98: 95H`F9G          A`5MJ`5FM</p>	<p>7C @CFJ 5F5HC BG          A`5MC`771F</p>	<p>GAN          5          ('`&amp;`</p>	<p>DFC B1 7 H89G7 F-DHC B</p>	<p>75 I`G6!5`DB`@`DC`G</p>	<p>I DA 5)</p>	<p>F9J`          &gt;</p>
<p>G7 5@9. BC B9</p>		<p>758: @9: "I DA 5)" @88FK</p>		<p>G&lt;99H`%`C`%`</p>			

8

7

6

5