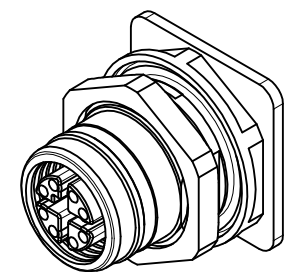


Technical Data:
 M12 CAT6A receptacle back mount PCB 360° shielded.
 Suited for reflow application.

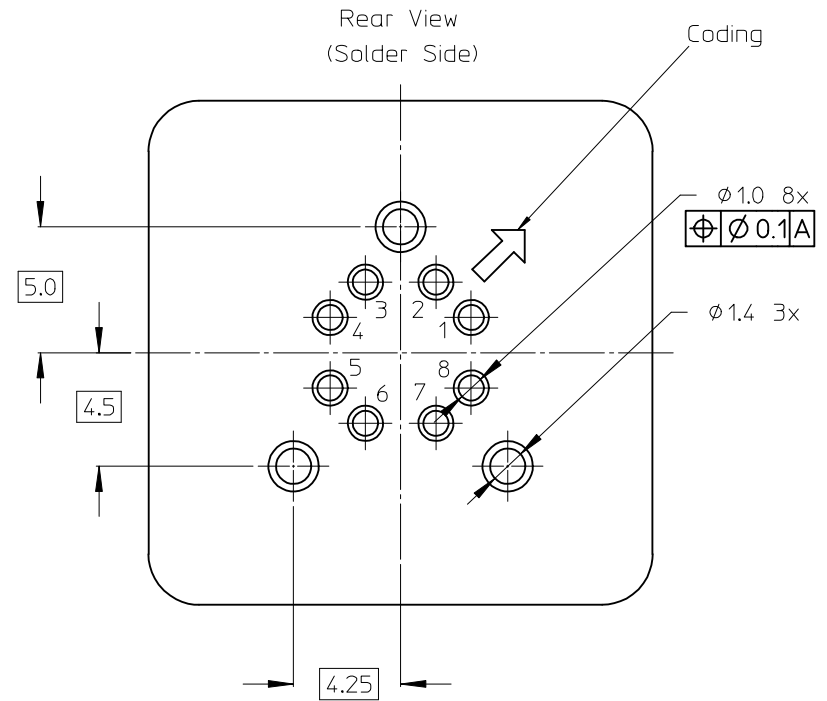
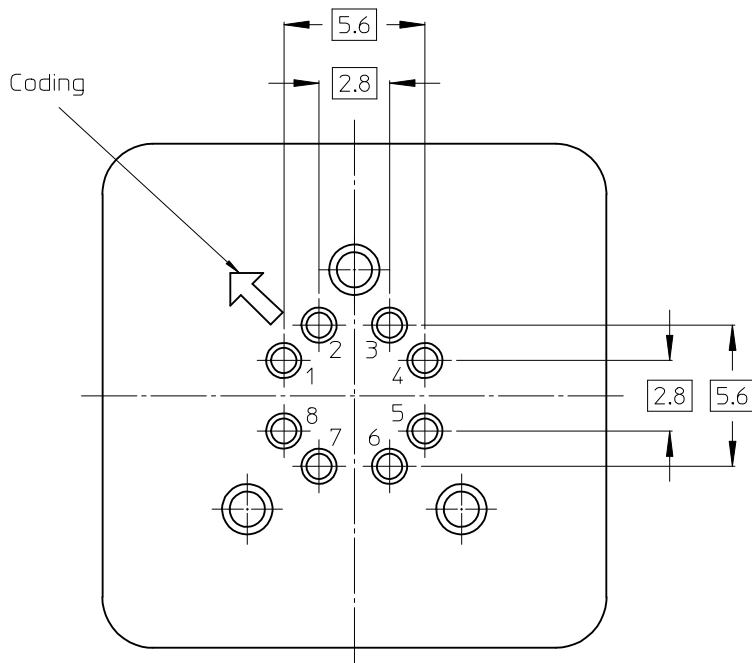
Poles: 8
 Max. Voltage: 48V
 Max Current: 0,5A
 Contact resistance: <5m Ohm
 Insulation withstand: >100M Ohm
 Protection: IP67
 Temperature range: -25°C to 85°C
 Transmission characteristics (category) CAT6_A

POS	DESCRIPTION	MATERIAL	FINISH
01	INSERT	PA	BLACK
02	SCHIELDING CROSS	BRASS	NICKEL PLATED
03	CONTACT	BRASS	GOLD OVER NICKEL
04	HOUSING	BRASS	NICKEL PLATED
05	O-RING	FKM	NONE
06	O-RING	FPM	NONE
07	O-RING	EPDM	NONE
08	LOCK NUT	BRASS	NICKEL PLATED



For product specification see: PS-120341-001
 Packaging:
 The receptacles are delivered in blister packs a 25 parts.
 8 blister packages per carton.
 All together 200 parts.

ENTER DESCRIPTION EC NO: IPG2013-0077 DRWN:ZISMAYILOV 2012/07/27 CHKD:RSCHIEBER 2012/07/30 APPR:AVOGT 2012/07/30	QUALITY SYMBOLS	GENERAL TOLERANCES (UNLESS SPECIFIED)		DIMENSION STYLE MM ONLY		SCALE 5:1	DESIGN UNITS METRIC	THIRD ANGLE PROJECTION	
	▽=0 ◻=0	mm	INCH	DRAWN BY ZISMAYILOV	DATE 2011/09/29	TITLE M12 CAT6A REC ASSY BACK MOUNT			
		4 PLACES ± --- ± ---	3 PLACES ± --- ± ---	CHECKED BY RSCHIEBER	DATE 2012/01/23	MOLEX INCORPORATED			
		2 PLACES ± 0.05 ± ---	1 PLACE ± 0.1 ± ---	APPROVED BY AVOGT	DATE 2012/01/23	MATERIAL NO. 1203410150		DOCUMENT NO. SD-120341-150	SHEET NO. 1 OF 3
A2	REV	DRAFT WHERE APPLICABLE MUST REMAIN WITHIN DIMENSIONS		SIZE A3		THIS DRAWING CONTAINS INFORMATION THAT IS PROPRIETARY TO MOLEX INCORPORATED AND SHOULD NOT BE USED WITHOUT WRITTEN PERMISSION			

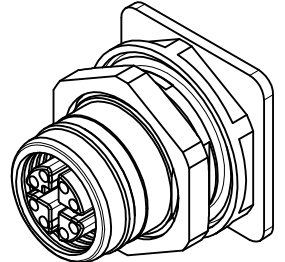
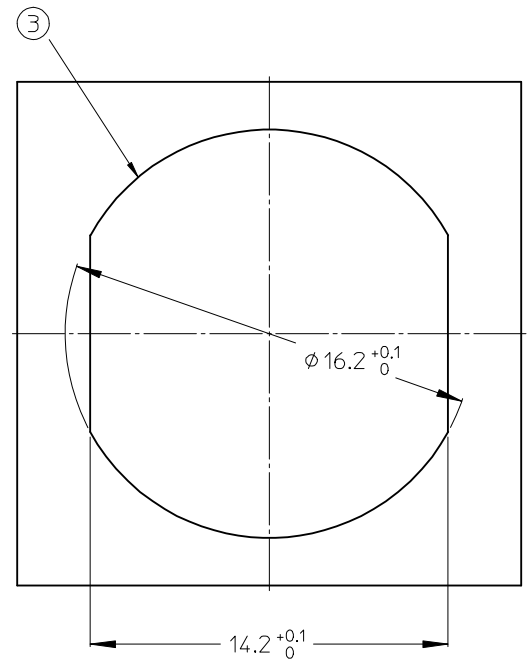
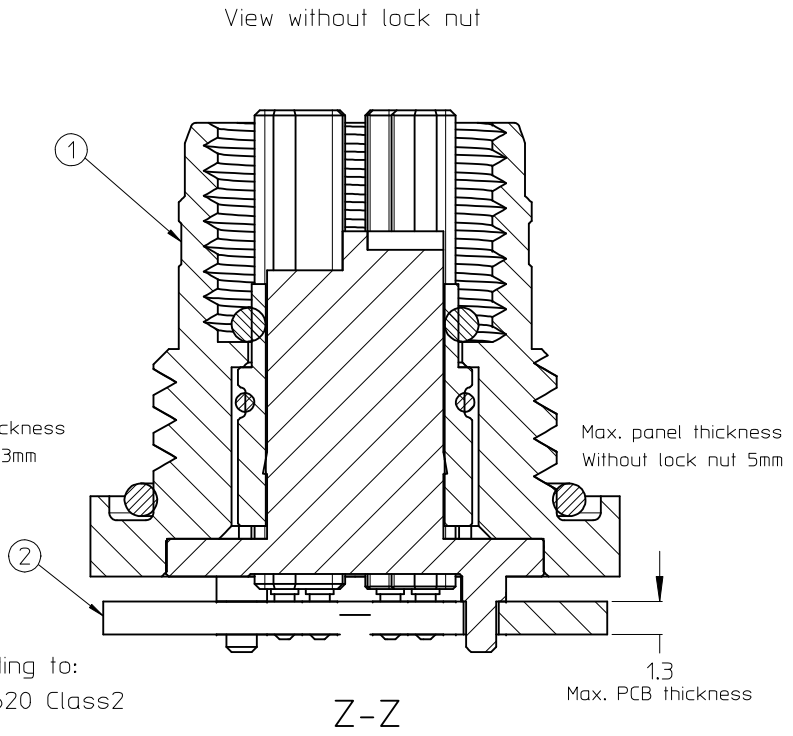
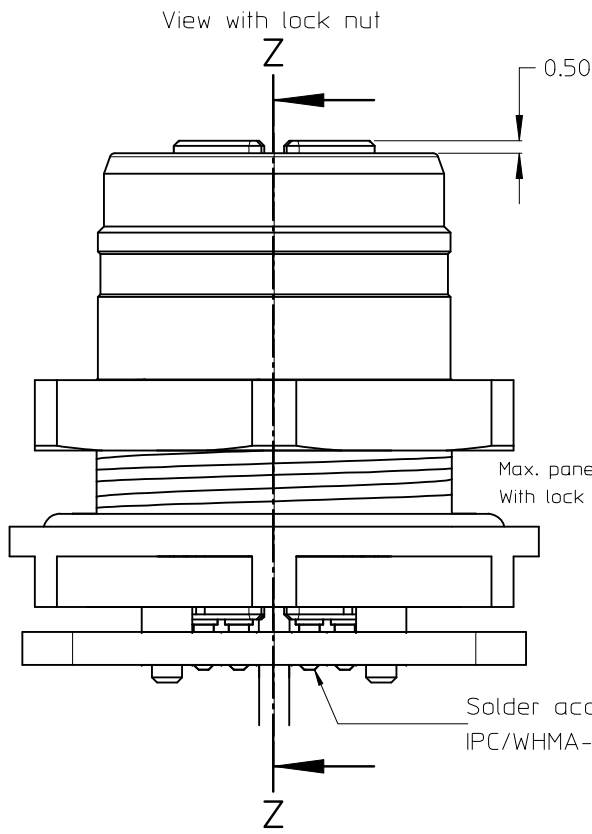


Cable color code and position on receptacle:

- 1 white-orange
- 2 orange
- 3 white-green
- 4 green
- 5 white-brown
- 6 brown
- 7 white-blue
- 8 blue

PCB Pinout

ENTER DESCRIPTION EC NO: IPG2013-0077 DRWN: ZISMAYILOV 2012/07/27 CHKD: RSCHIEBER 2012/07/30 APPR: AVOGT 2012/07/30	DESCRIPTION REV	QUALITY SYMBOLS ▽=0 ◻=0	GENERAL TOLERANCES (UNLESS SPECIFIED)		DIMENSION STYLE MM ONLY		SCALE 5:1	DESIGN UNITS METRIC	THIRD ANGLE PROJECTION		
			mm	INCH	DRAWN BY	DATE	TITLE				
		4 PLACES	± ---	± ---	ZISMAYILOV	2011/09/29	M12 CAT6A REC ASSY BACK MOUNT				
		3 PLACES	± ---	± ---	CHECKED BY	DATE					
2 PLACES	± 0.05	± ---	RSCHIEBER	2012/01/23	MOLEX INCORPORATED						
1 PLACE	± 0.1	± ---	APPROVED BY	DATE							
	ANGULAR ± ---°		AVOGT	2012/01/23	MATERIAL NO.		DOCUMENT NO.		SHEET NO.		
DRAFT WHERE APPLICABLE MUST REMAIN WITHIN DIMENSIONS			1203410150		SD-120341-150		2 OF 3				
			SIZE A3		THIS DRAWING CONTAINS INFORMATION THAT IS PROPRIETARY TO MOLEX INCORPORATED AND SHOULD NOT BE USED WITHOUT WRITTEN PERMISSION						



- Pos. Description
- 1 Receptacle Back Mount
 - 2 PCB
 - 3 Cutout

ASSEMBLY OF THE RECEPTACLE:

1. The receptacle (1) is soldered to PCB (2)(wave or reflow possible)
The grounding can be over the ground pins of her receptacle and, if needed, over the midpoint of the shielding cross.
2. The PCB with receptacles is mounted from the back side into the cutout(3) and fastened per screwing in or locknut.

ENTER DESCRIPTION EC NO: IPG2013-0077 DRW:ZISMAYILOV 2012/07/27 CHK:DRSCHIEBER 2012/07/30 APPR:AVOGT 2012/07/30	DESCRIPTION REV	QUALITY SYMBOLS	GENERAL TOLERANCES (UNLESS SPECIFIED)		DIMENSION STYLE	SCALE	DESIGN UNITS	THIRD ANGLE PROJECTION	
		▽=0 ◻=0	mm	INCH	MM ONLY	5:1	METRIC		
		4 PLACES	±---	±---	DRAWN BY	DATE	TITLE		
		3 PLACES	±---	±---	ZISMAYILOV	2011/09/29	M12 CAT6A REC ASSY BACK MOUNT		
2 PLACES	±0.05	±---	CHECKED BY	DATE	MOLEX INCORPORATED				
1 PLACE	±0.1	±---	RSCHIEBER	2012/01/23	DOCUMENT NO.				
	ANGULAR ±---°		APPROVED BY	DATE	SHEET NO.				
			AVOGT	2012/01/23	3 OF 3				
			MATERIAL NO.	1203410150					
			SIZE	A3					
DRAFT WHERE APPLICABLE MUST REMAIN WITHIN DIMENSIONS									
THIS DRAWING CONTAINS INFORMATION THAT IS PROPRIETARY TO MOLEX INCORPORATED AND SHOULD NOT BE USED WITHOUT WRITTEN PERMISSION									