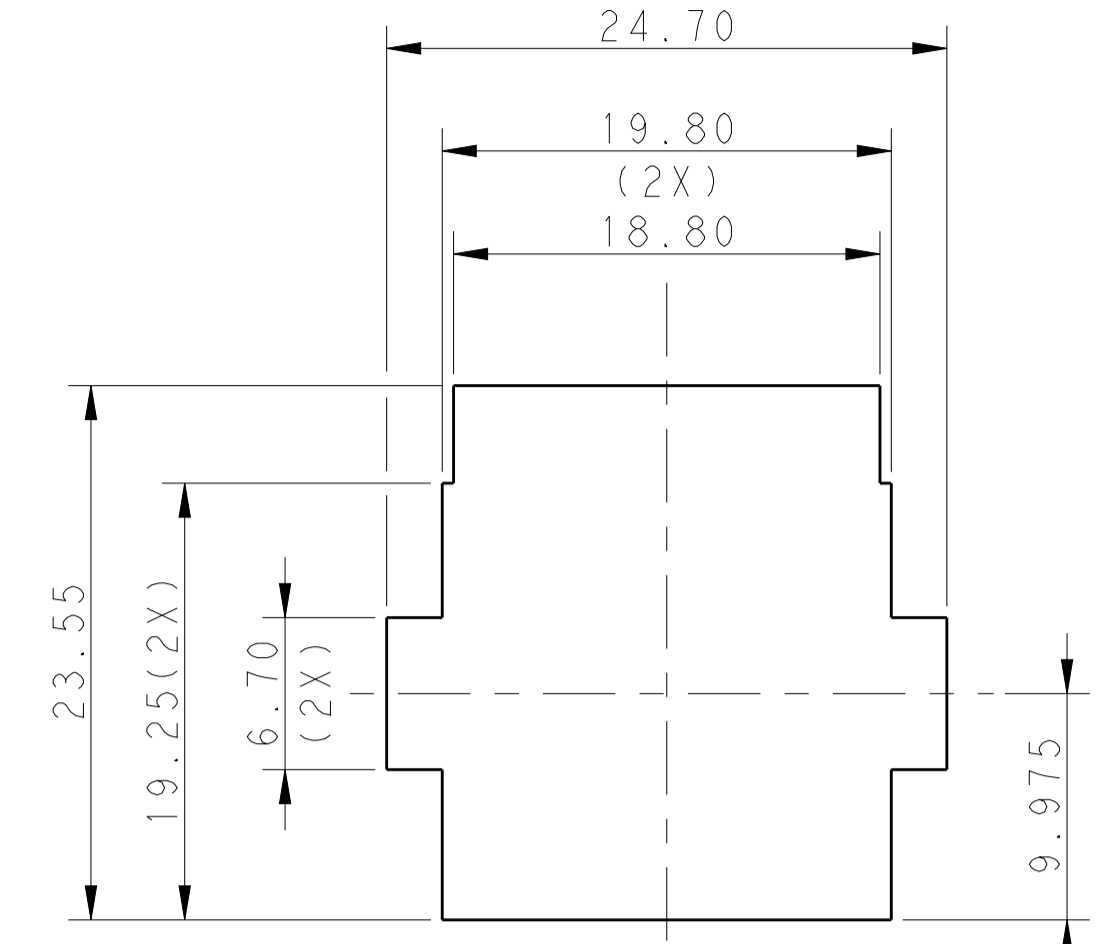
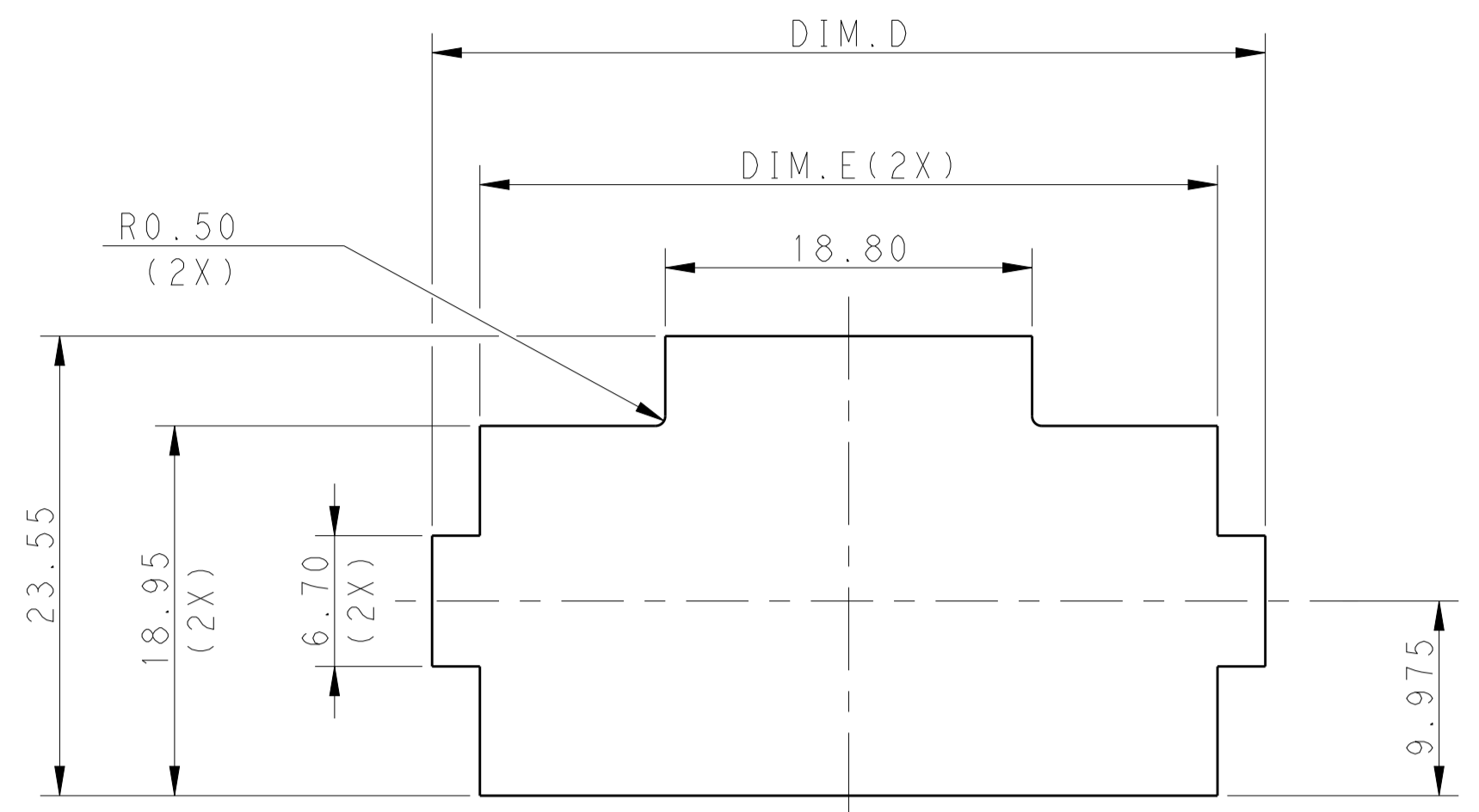
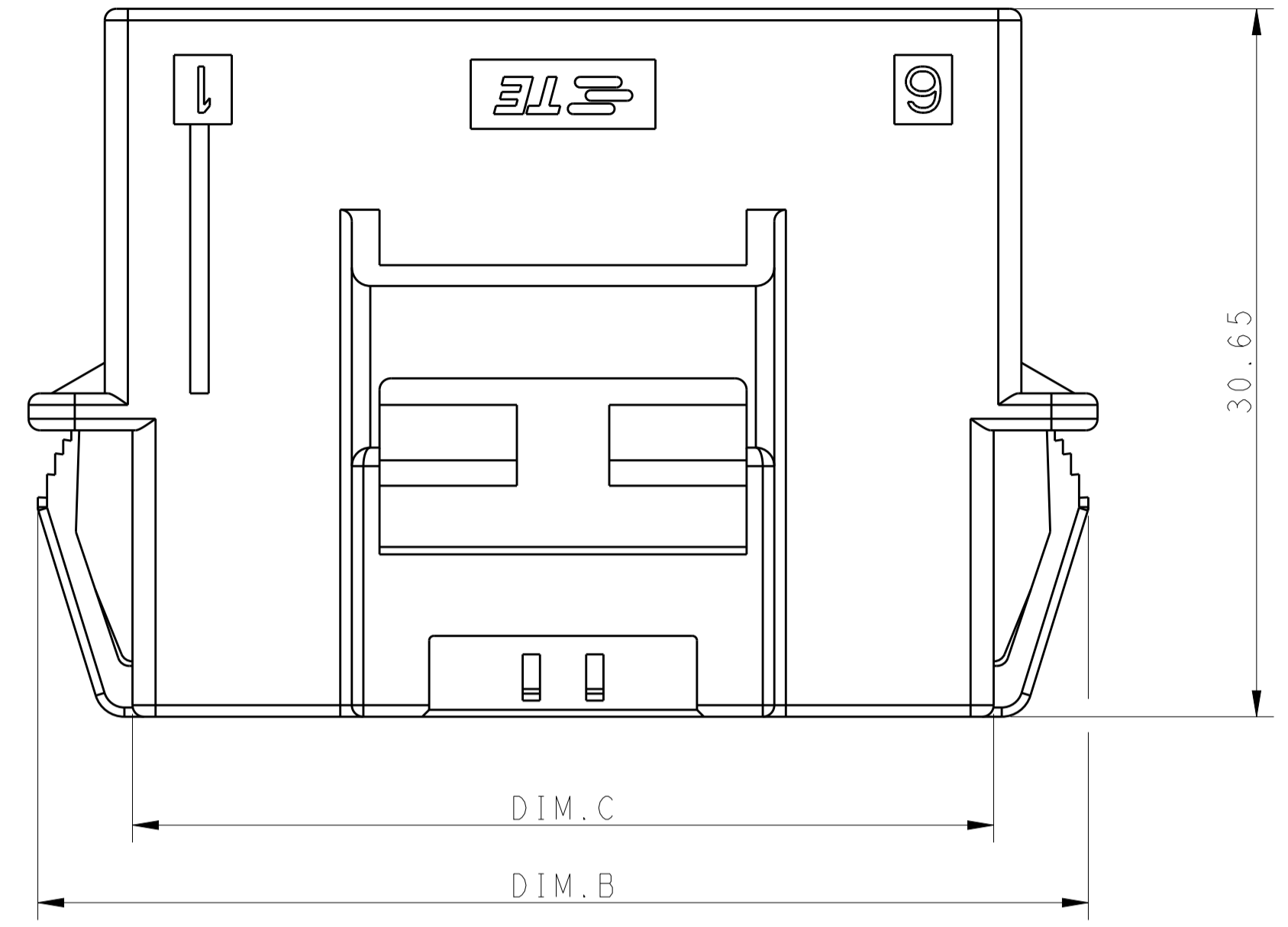
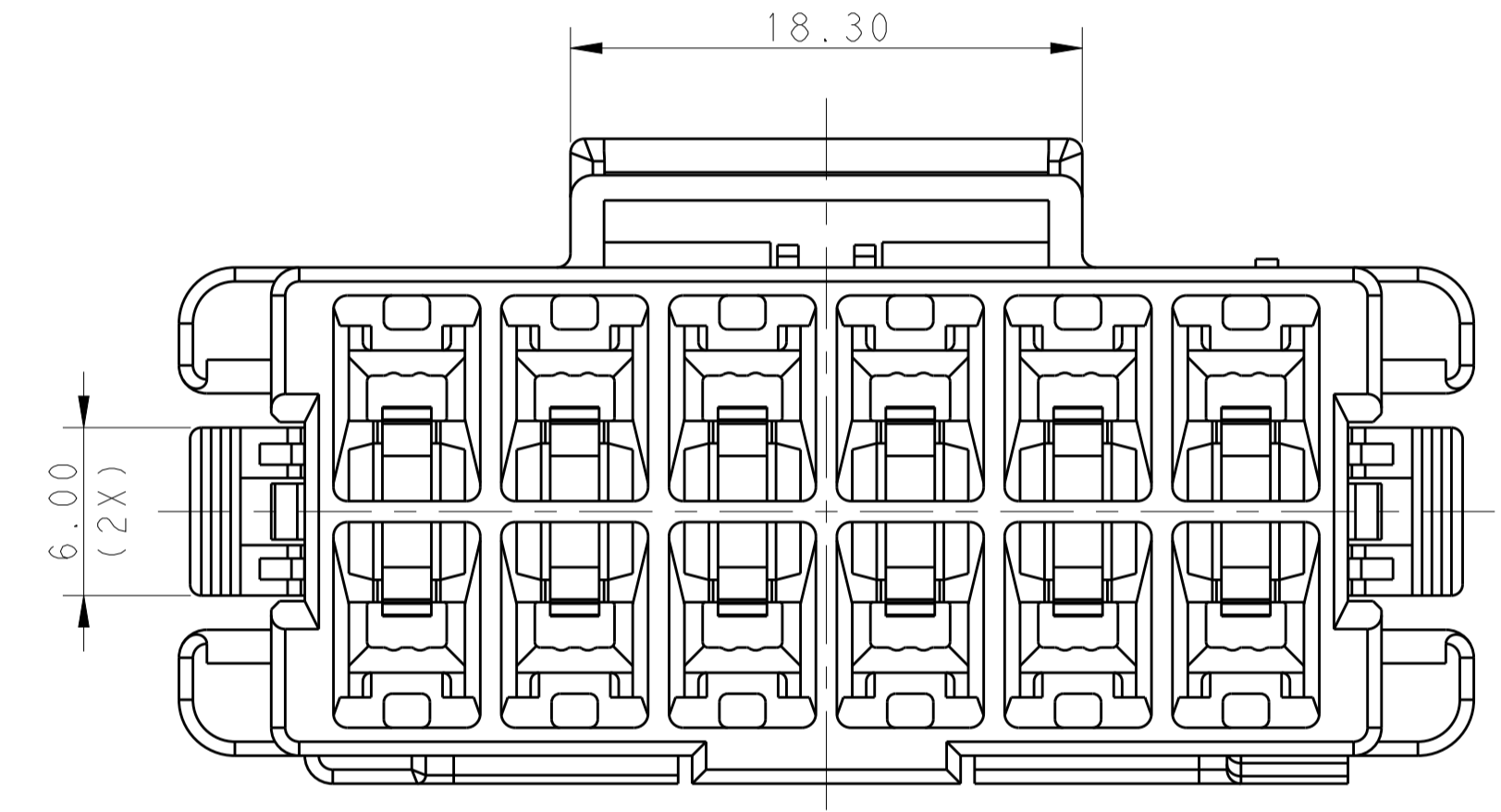
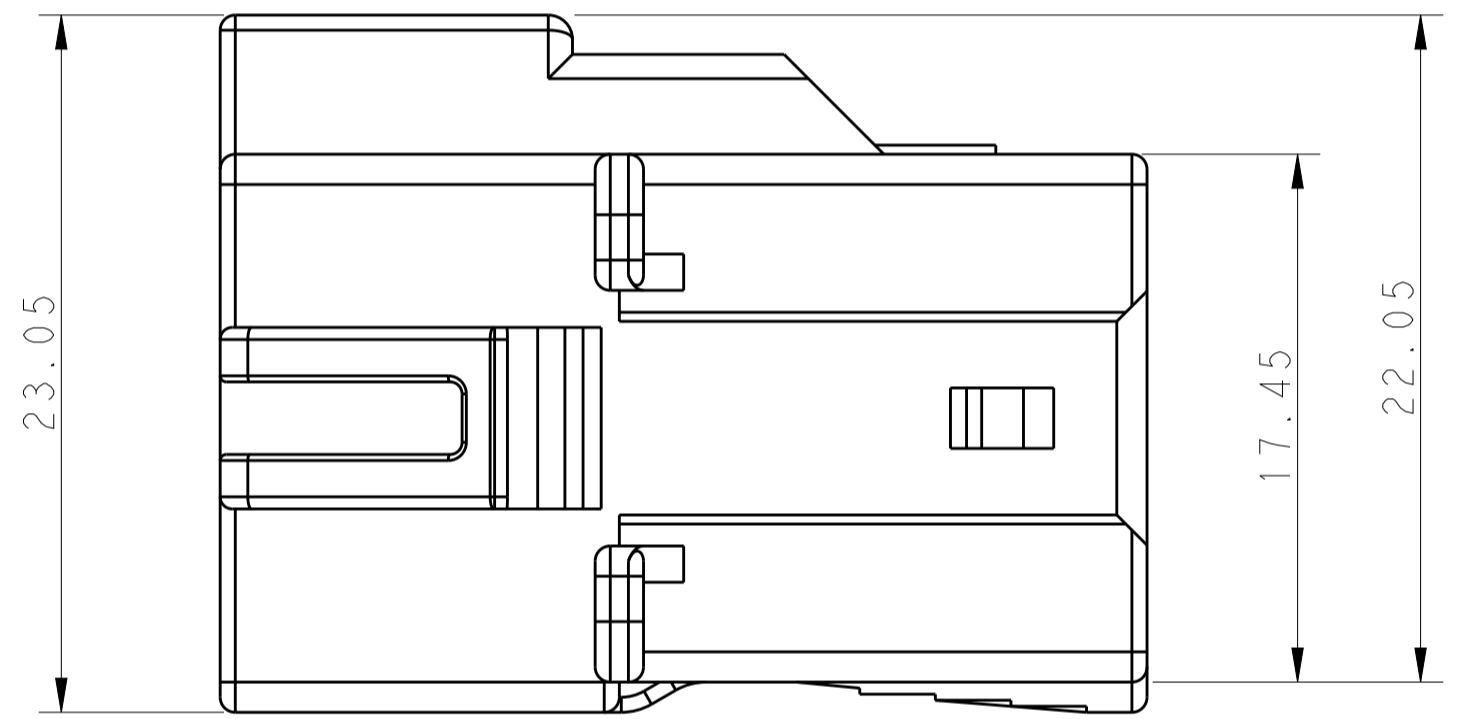
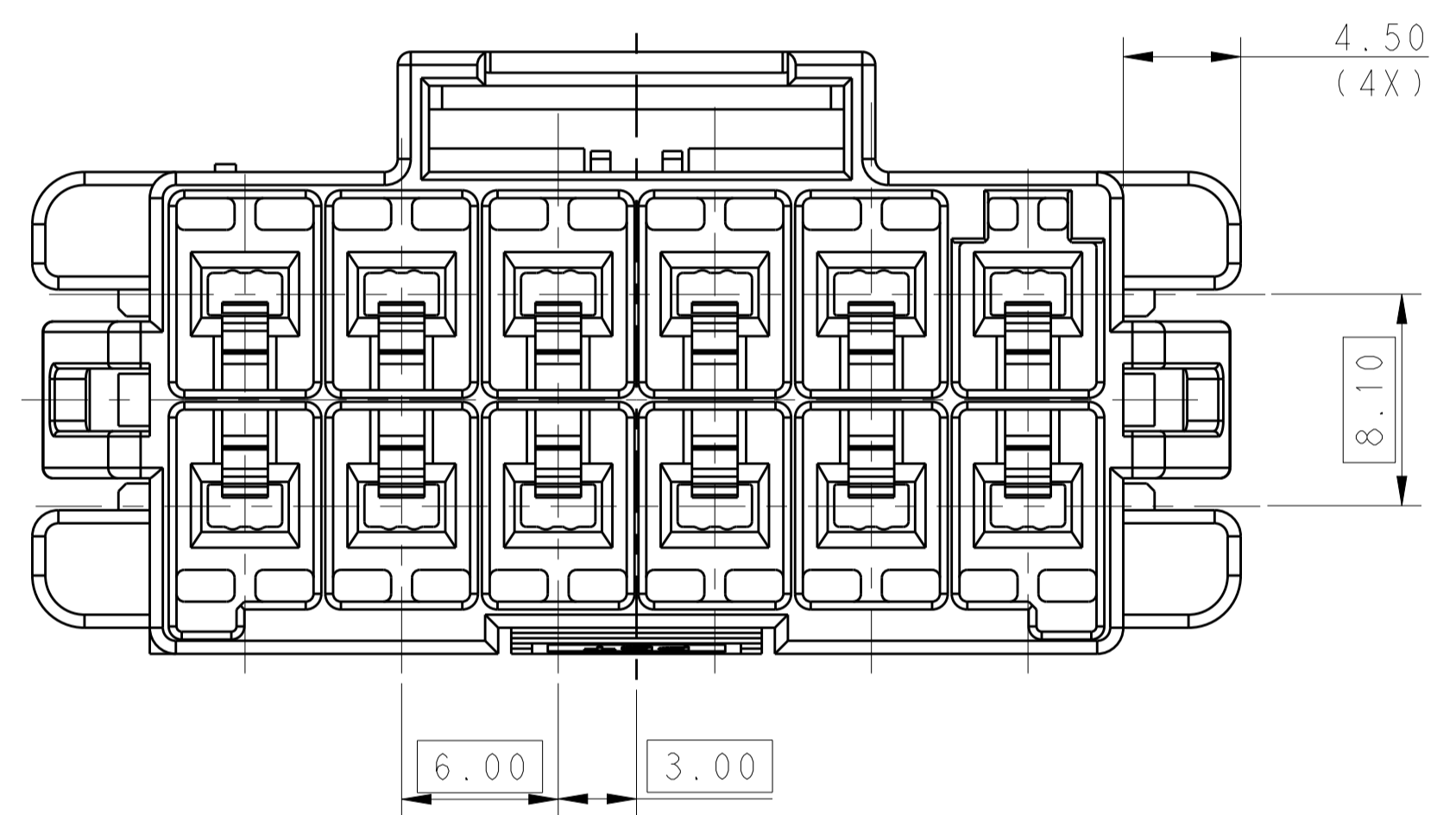


| LOC |     | DIST            |           | REVISIONS |       |  |  |
|-----|-----|-----------------|-----------|-----------|-------|--|--|
| P   | LTR | DESCRIPTION     | DATE      | DMN       | APVD  |  |  |
| A   |     | RELEASE DRAWING | 04FEB2013 | T.W       | Y.H.M |  |  |
| A1  |     | ECR-13-005295   | 26MAR2013 | T.W       | Y.H.M |  |  |

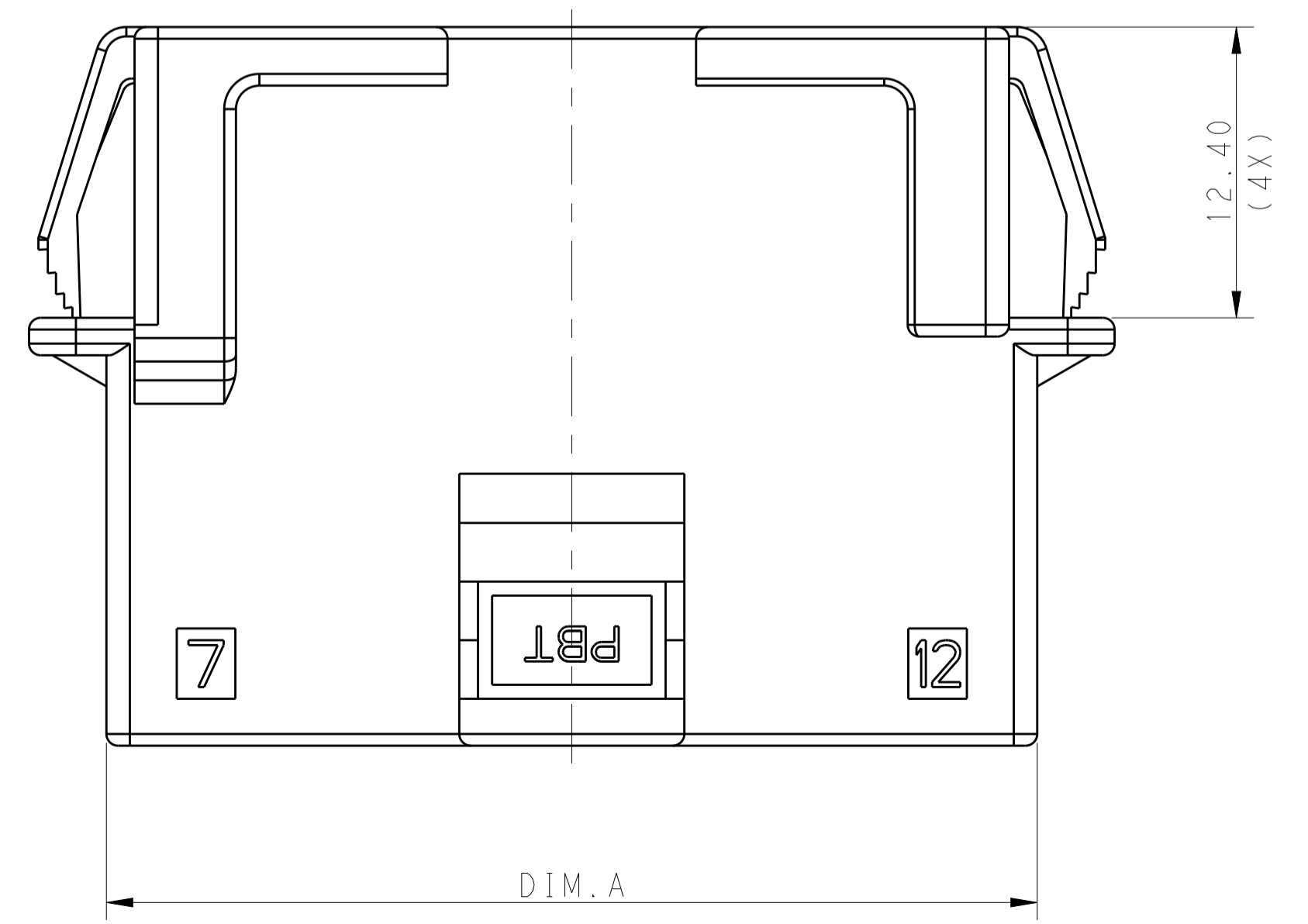


RECOMMENDED PANEL OPENING DIMENSIONS FOR CAP HOUSING 2\*6 AND 2\*5 AND 2\*4 POSITIONS (TOLERANCE: ±0.15mm)

RECOMMENDED PANEL OPENING DIMENSIONS FOR CAP HOUSING 2\*3 POSITION (TOLERANCE: ±0.15mm)



1. This product has not completed validation testing.

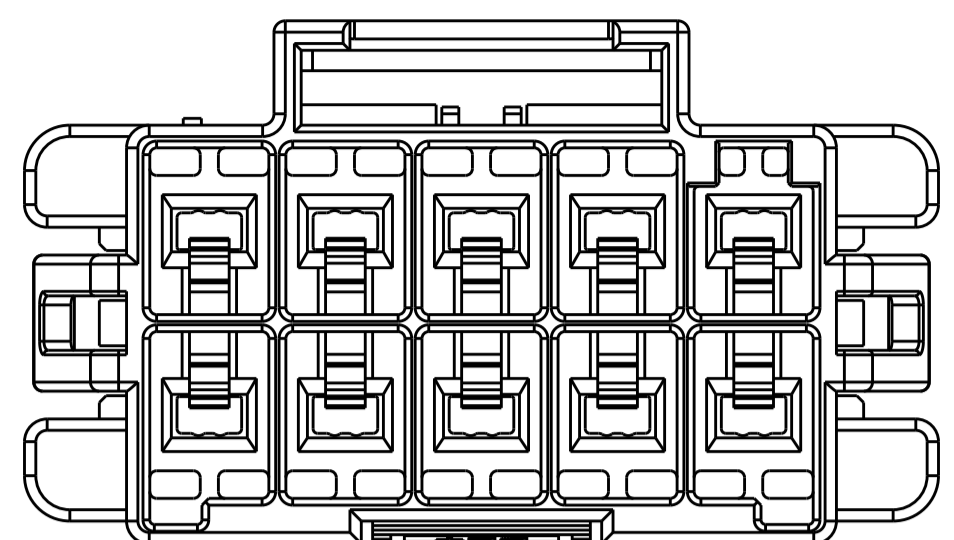
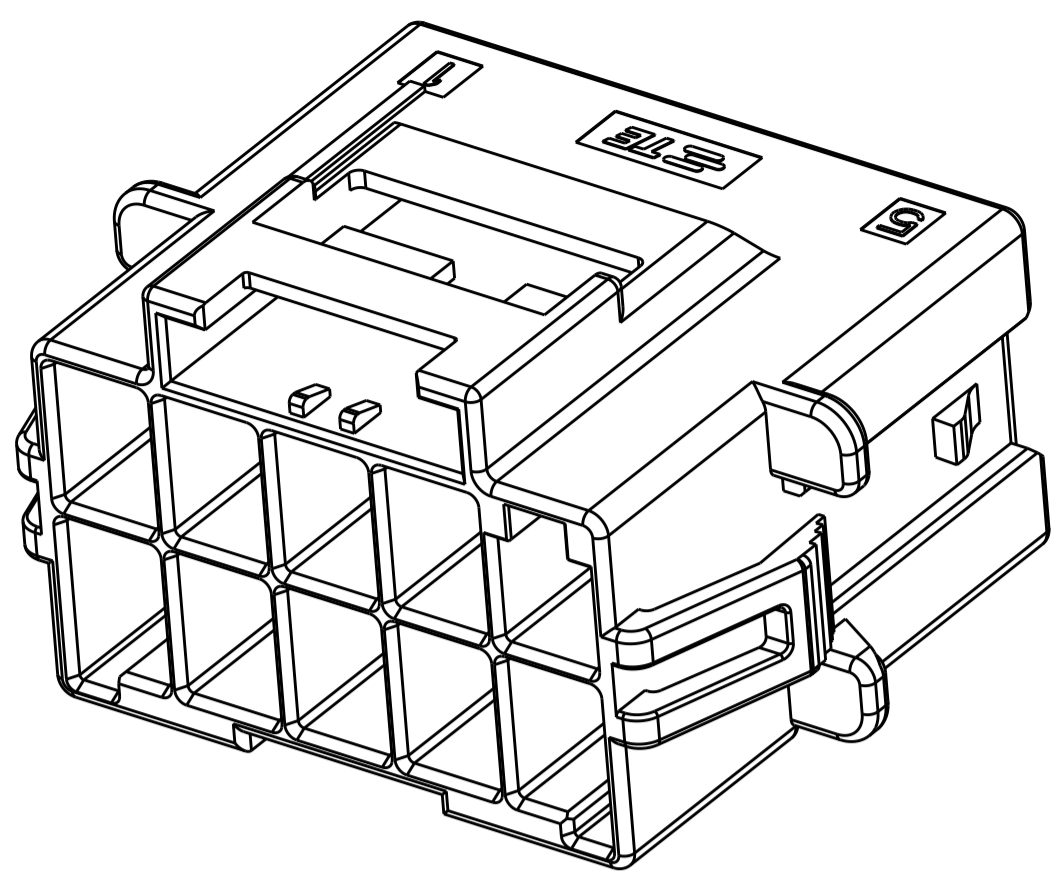


- NOTE
- MATERIAL:  
 LEVEL 1: PBT, STANDARD  
 KEY A: NATURAL; KEY B: PURPLE; KEY C: BLUE; KEY D: YELLOW  
  
 LEVEL 2: NYLON, HIGH TEMPERATURE 150°C  
 KEY A: LIGHT GREY; KEY B: LIGHT GREY; KEY C: LIGHT GREY; KEY D: LIGHT GREY
  - MATERIAL MARK:  
 LEVEL 1: PBT, LEVEL 2: HDT
  - APPLICABLE CONTACT P/N  
 TAB CONTACT: 1971238/1971780/82/84/86/88-\*
  - MATING CONN. P/N  
 PLUG HSG: \*-1971776-  
 DOUBLE LOCK PLATE: \*-1971778-\*
  - PRODUCT SPEC: 108-106118
  - APPLICATION SPEC: 114-106118
  - RECOMMENDED PANEL THICKNESS: 1.0~2.0mm

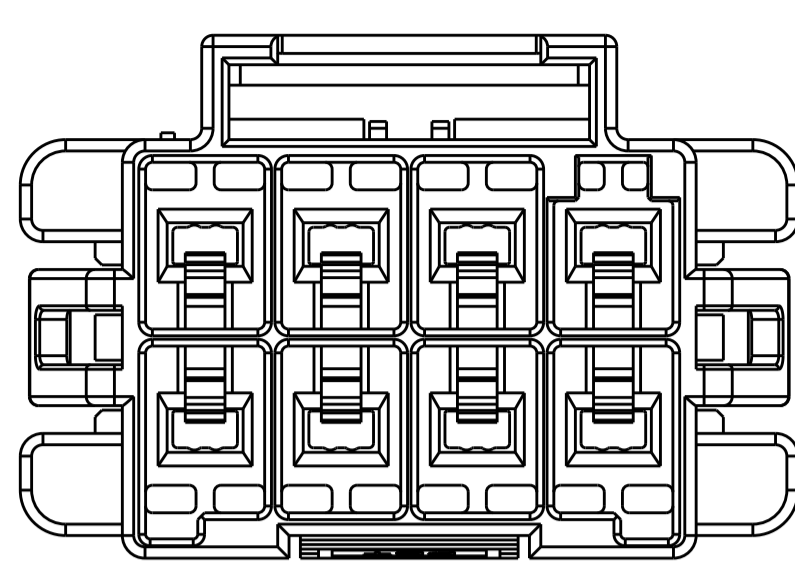
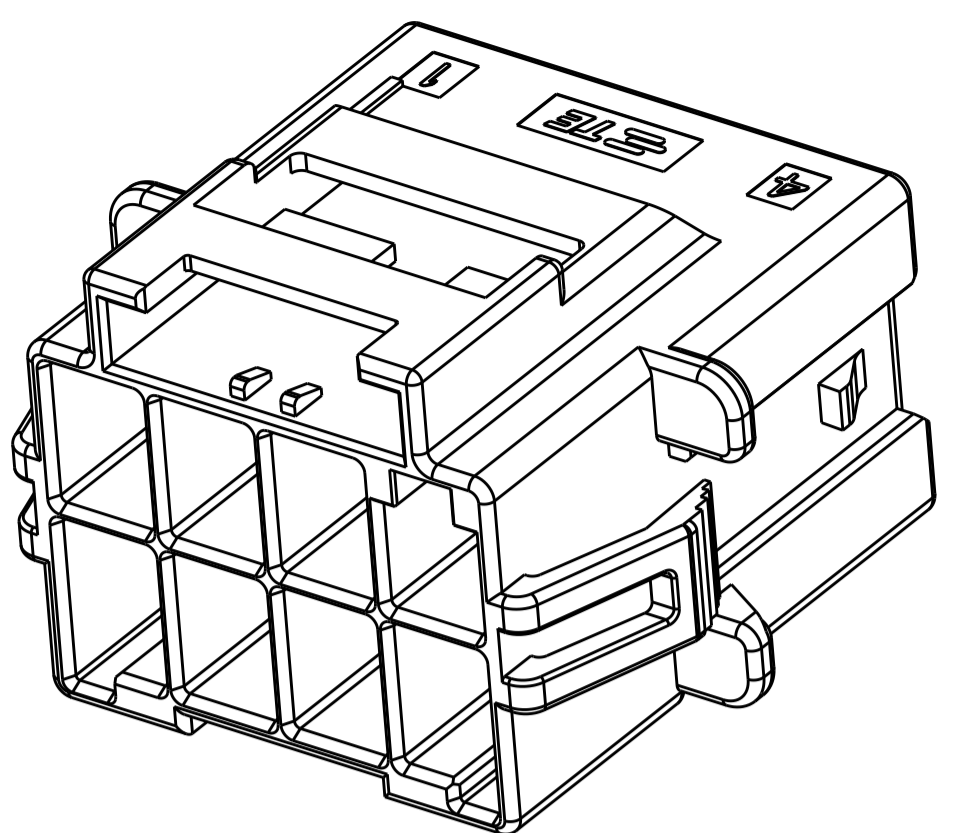
| POS | A     | B    | C     | D     | E     |
|-----|-------|------|-------|-------|-------|
| 2*6 | 39.70 | 45.5 | 37.30 | 42.70 | 37.80 |
| 2*5 | 33.70 | 39.5 | 31.30 | 36.70 | 31.80 |
| 2*4 | 27.70 | 33.5 | 25.30 | 30.70 | 25.80 |
| 2*3 | 21.70 | 27.5 | 19.30 |       |       |

|  |  |                            |   |
|--|--|----------------------------|---|
| THIS DRAWING IS A CONTROLLED DOCUMENT. |  | DMN TOMMY WU 06JUL2012     |   |
| DIMENSIONS:                            |  | CHK HAPYE WU 06JUL2012     |   |
| mm                                     | TOLERANCES UNLESS OTHERWISE SPECIFIED: | APVD YUZHONG MAO 06JUL2012 | NAME CAP HOUSING, PANEL MOUNT, DOUBLE ROW POWER TRIPLE LOCK |
| 0 PLC ±                                | 1 PLC ±0.35                            | PRODUCT SPEC               | SIZE CAGE CODE DRAWING NO                                   |
| 2 PLC ±0.25                            | 3 PLC ±                                | 108-106118                 | A100779C=1971775  |
| 4 PLC ±                                | ANGLES ±                               | APPLICATION SPEC           | RESTRICTED TO   |
| MATERIAL                               | FINISH                                 | 114-106118                 | SCALE   |
|  |  | WEIGHT                     | SHEET 1 OF 2  |
|  |  | Customer Drawing           | REV A1  |

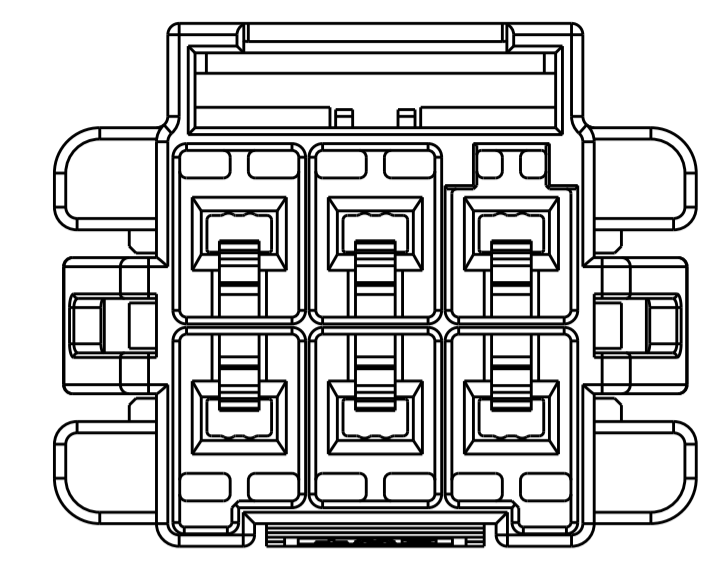
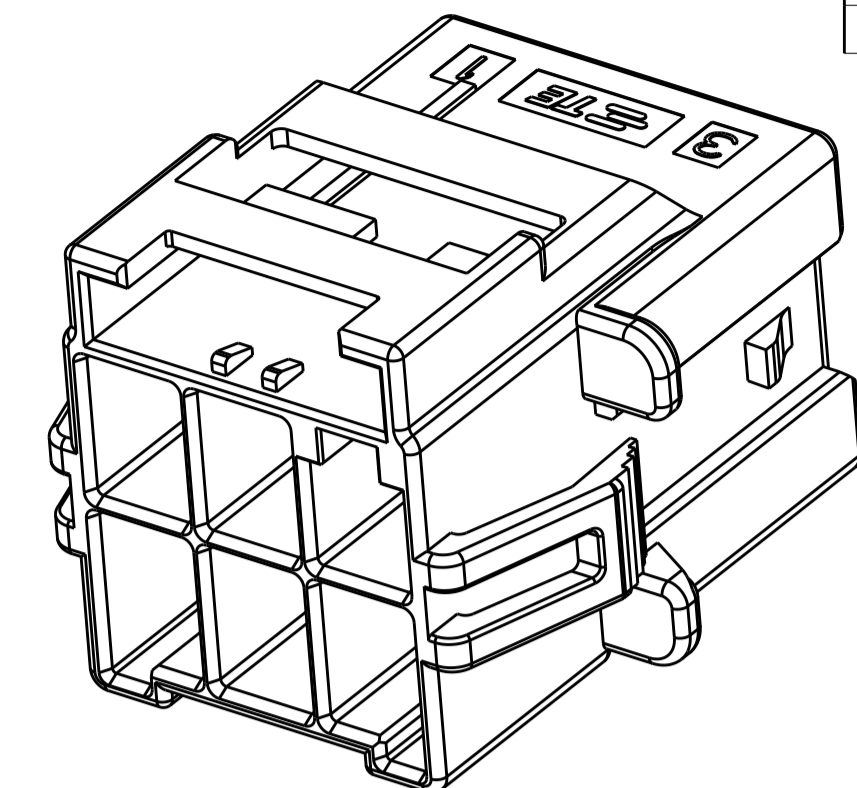
| LOC |     | DIST        |      | REVISIONS |      |   |   |
|-----|-----|-------------|------|-----------|------|---|---|
| P   | LTN | DESCRIPTION | DATE | OWN       | APVD |   |   |
| -   | -   | SEE SHEET 1 | -    | -         | -    | - | - |



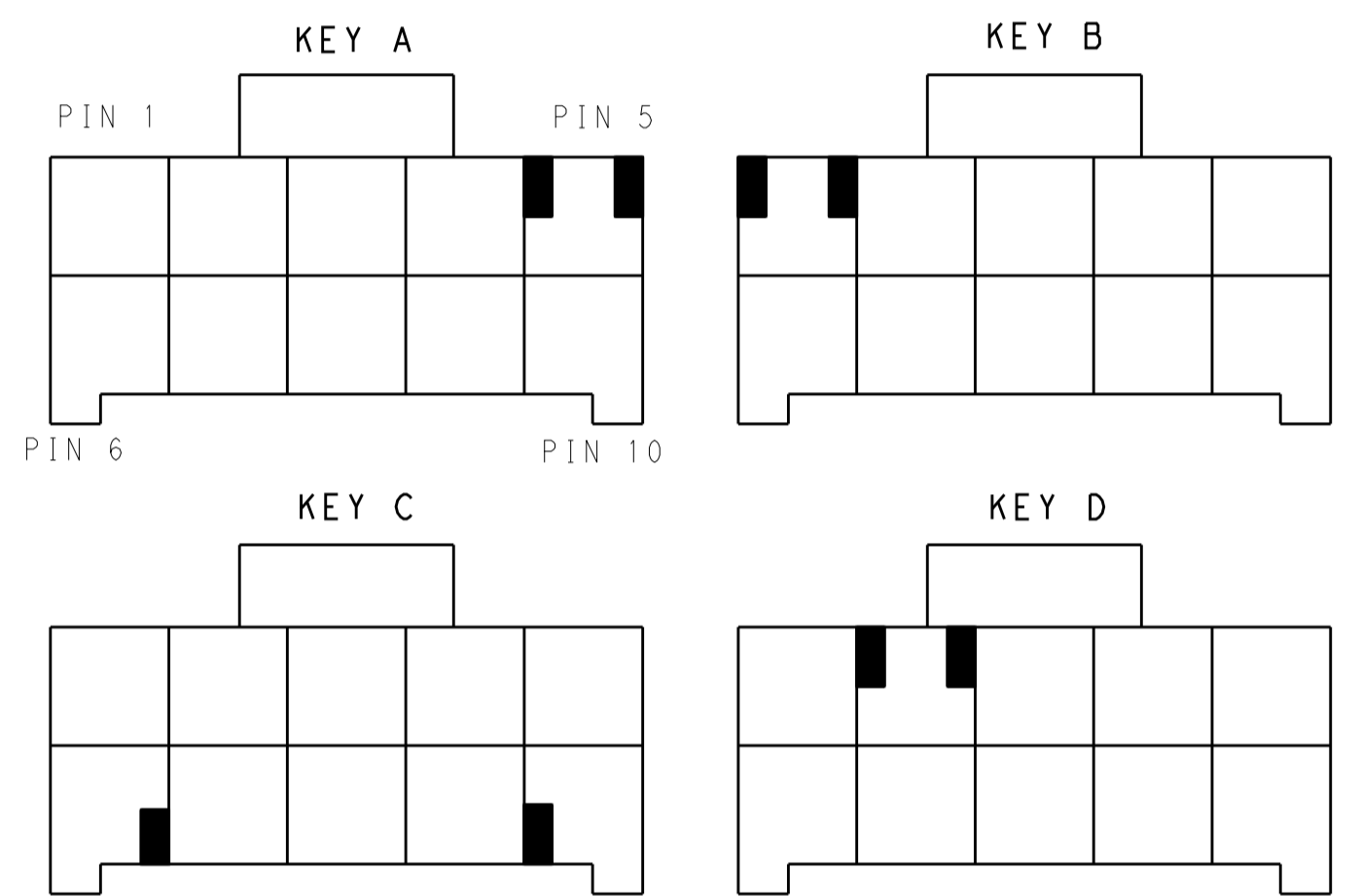
2\*5 POSITIONS



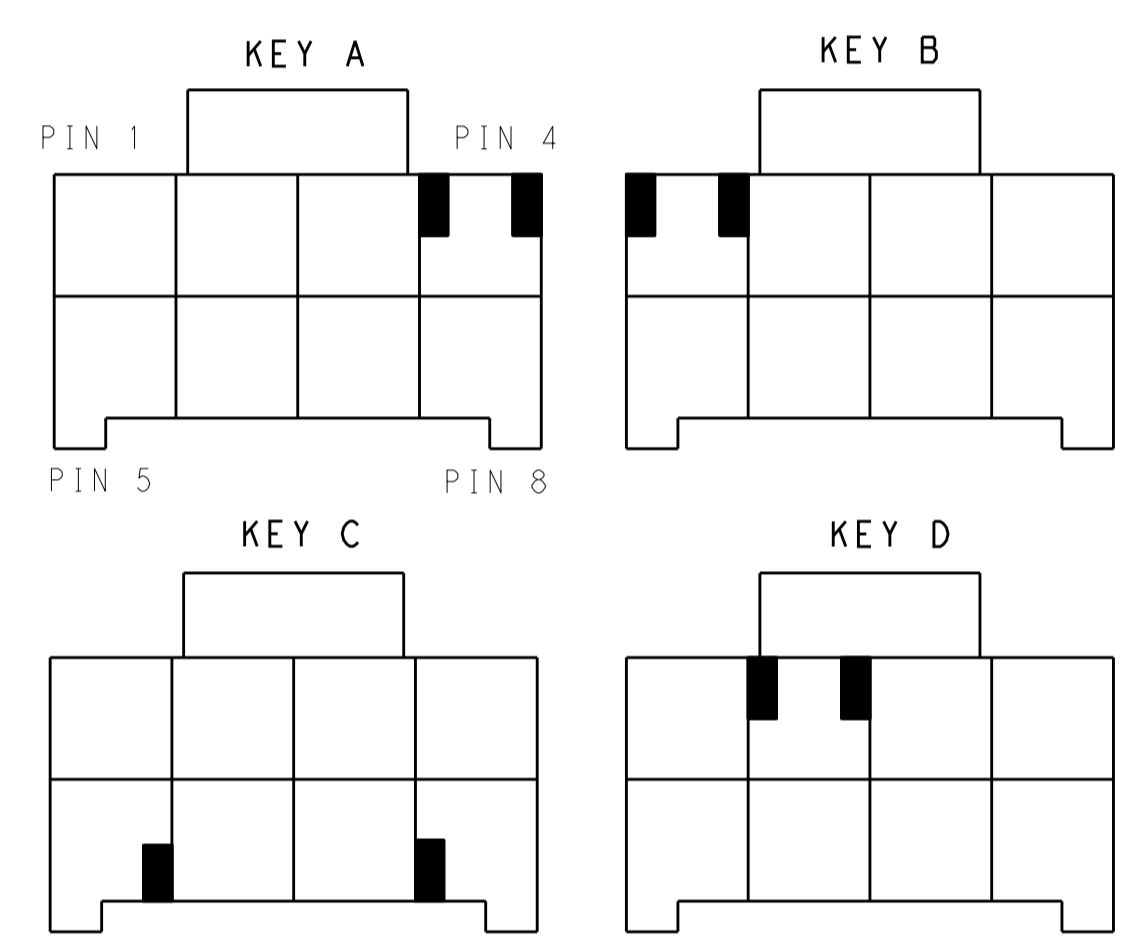
2\*4 POSITIONS



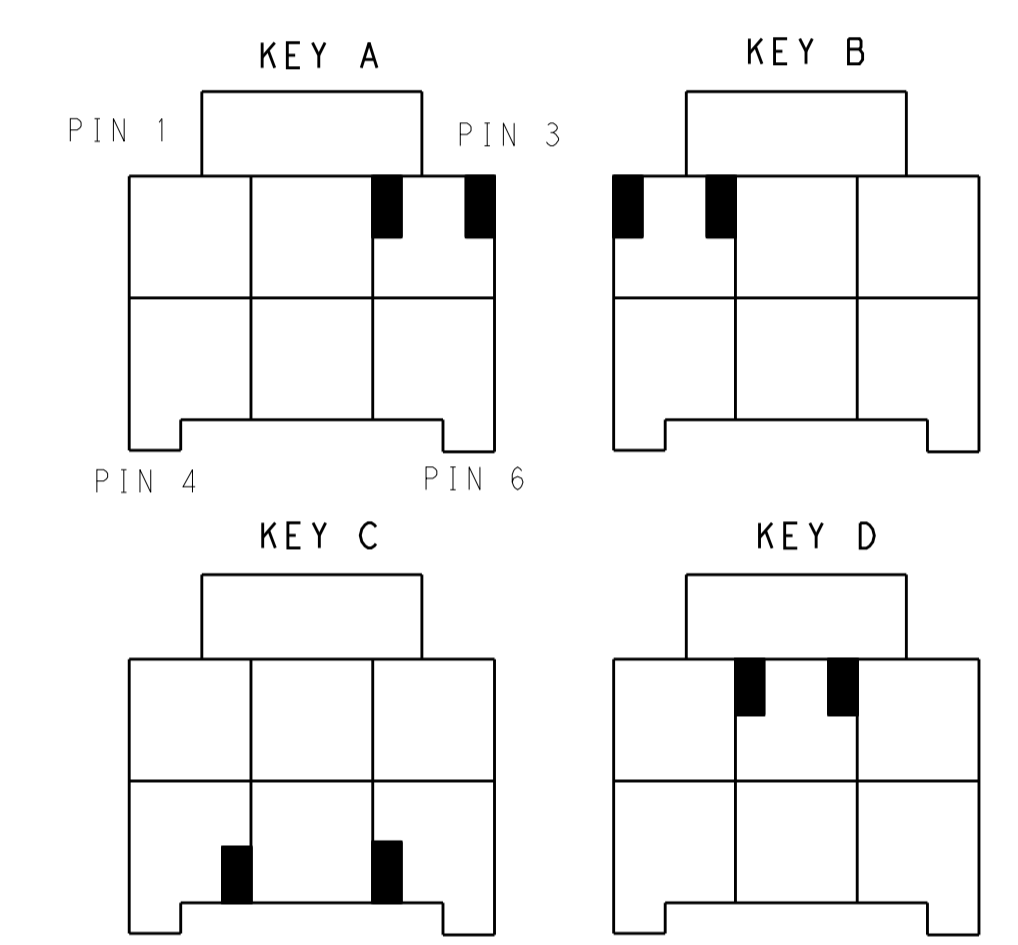
2\*3 POSITIONS



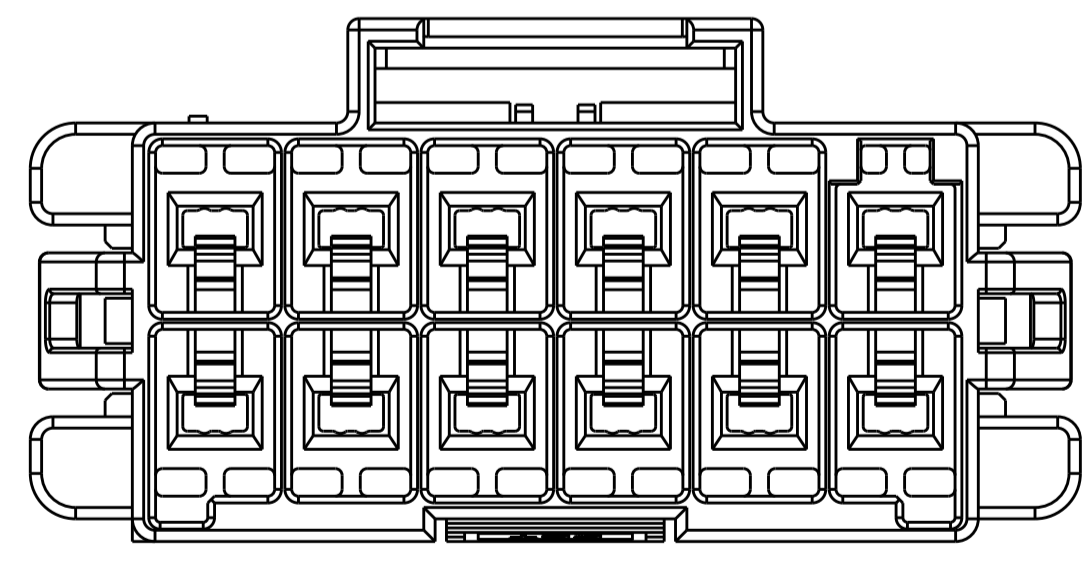
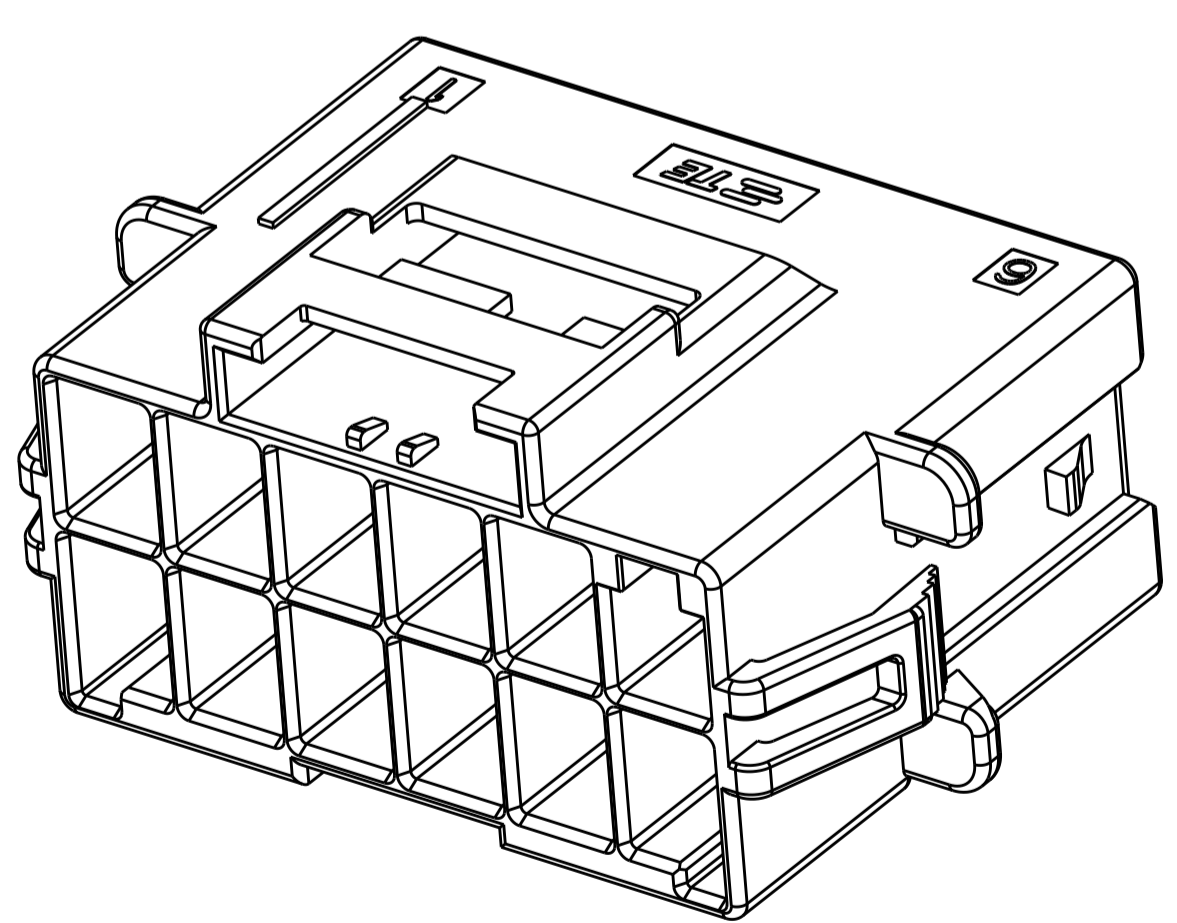
KEYING FOR 2\*5 POS.



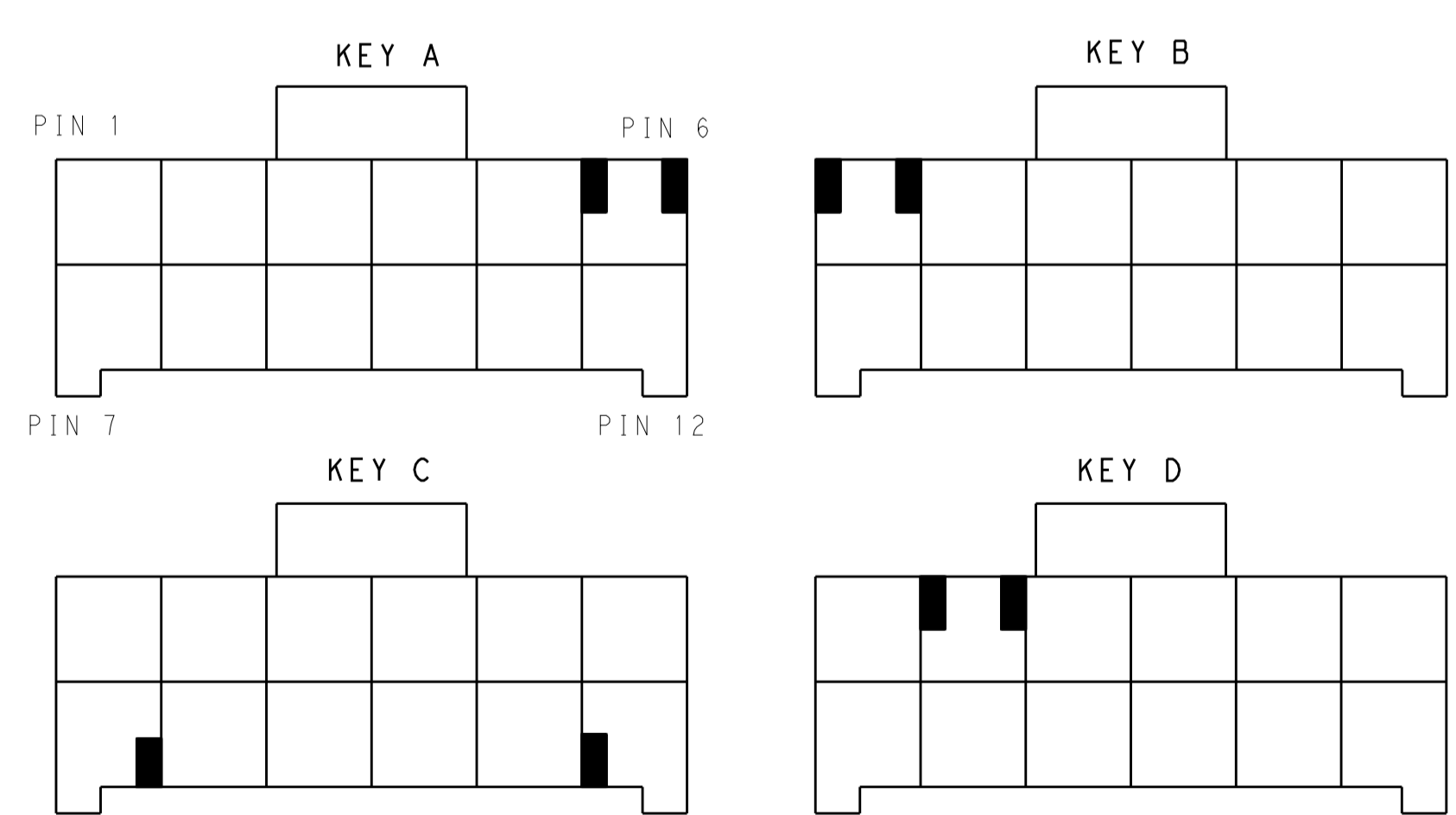
KEYING FOR 2\*4 POS.



KEYING FOR 2\*3 POS.



2\*6 POSITIONS



KEYING FOR 2\*6 POS.

| POS. | MATERIAL | KEY   | P/N         |
|------|----------|-------|-------------|
| 2*6  | LEVEL 1  | KEY A | 1-1971775-6 |
|      |          | KEY B | 2-1971775-6 |
|      |          | KEY C | 3-1971775-6 |
|      |          | KEY D | 4-1971775-6 |
| 2*6  | LEVEL 2  | KEY A | 5-1971775-6 |
|      |          | KEY B | 6-1971775-6 |
|      |          | KEY C | 7-1971775-6 |
|      |          | KEY D | 8-1971775-6 |
| 2*5  | LEVEL 1  | KEY A | 1-1971775-5 |
|      |          | KEY B | 2-1971775-5 |
|      |          | KEY C | 3-1971775-5 |
|      |          | KEY D | 4-1971775-5 |
| 2*5  | LEVEL 2  | KEY A | 5-1971775-5 |
|      |          | KEY B | 6-1971775-5 |
|      |          | KEY C | 7-1971775-5 |
|      |          | KEY D | 8-1971775-5 |

| POS. | MATERIAL | KEY   | P/N         |
|------|----------|-------|-------------|
| 2*4  | LEVEL 1  | KEY A | 1-1971775-4 |
|      |          | KEY B | 2-1971775-4 |
|      |          | KEY C | 3-1971775-4 |
|      |          | KEY D | 4-1971775-4 |
| 2*4  | LEVEL 2  | KEY A | 5-1971775-4 |
|      |          | KEY B | 6-1971775-4 |
|      |          | KEY C | 7-1971775-4 |
|      |          | KEY D | 8-1971775-4 |
| 2*3  | LEVEL 1  | KEY A | 1-1971775-3 |
|      |          | KEY B | 2-1971775-3 |
|      |          | KEY C | 3-1971775-3 |
|      |          | KEY D | 4-1971775-3 |
| 2*3  | LEVEL 2  | KEY A | 5-1971775-3 |
|      |          | KEY B | 6-1971775-3 |
|      |          | KEY C | 7-1971775-3 |
|      |          | KEY D | 8-1971775-3 |

THIS DRAWING IS A CONTROLLED DOCUMENT.

OWN: TOMMY WU 06JUL2012  
 CHG: TOMMY WU 06JUL2012  
 HAPYE WU 06JUL2012  
 APVD: YUZHONG MAO 06JUL2012

**STE** TE Connectivity

NAME: CAP HOUSING, PANEL MOUNT, DOUBLE ROW POWER TRIPLE LOCK

PRODUCT SPEC: 108-106118  
 APPLICATION SPEC: 114-106118

SIZE: A1 CAGE CODE: 00779 DRAWING NO: 1971775  
 SCALE: SHEET 2 OF 2 REV: A1

MATERIAL: - FINISH: - WEIGHT: -

Customer Drawing