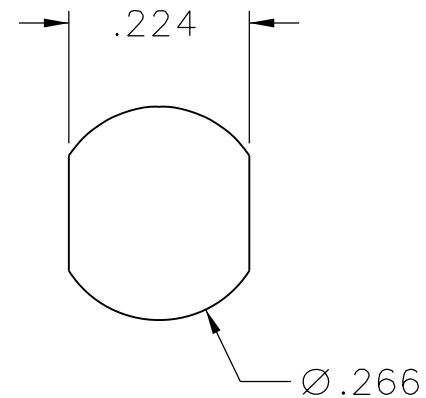
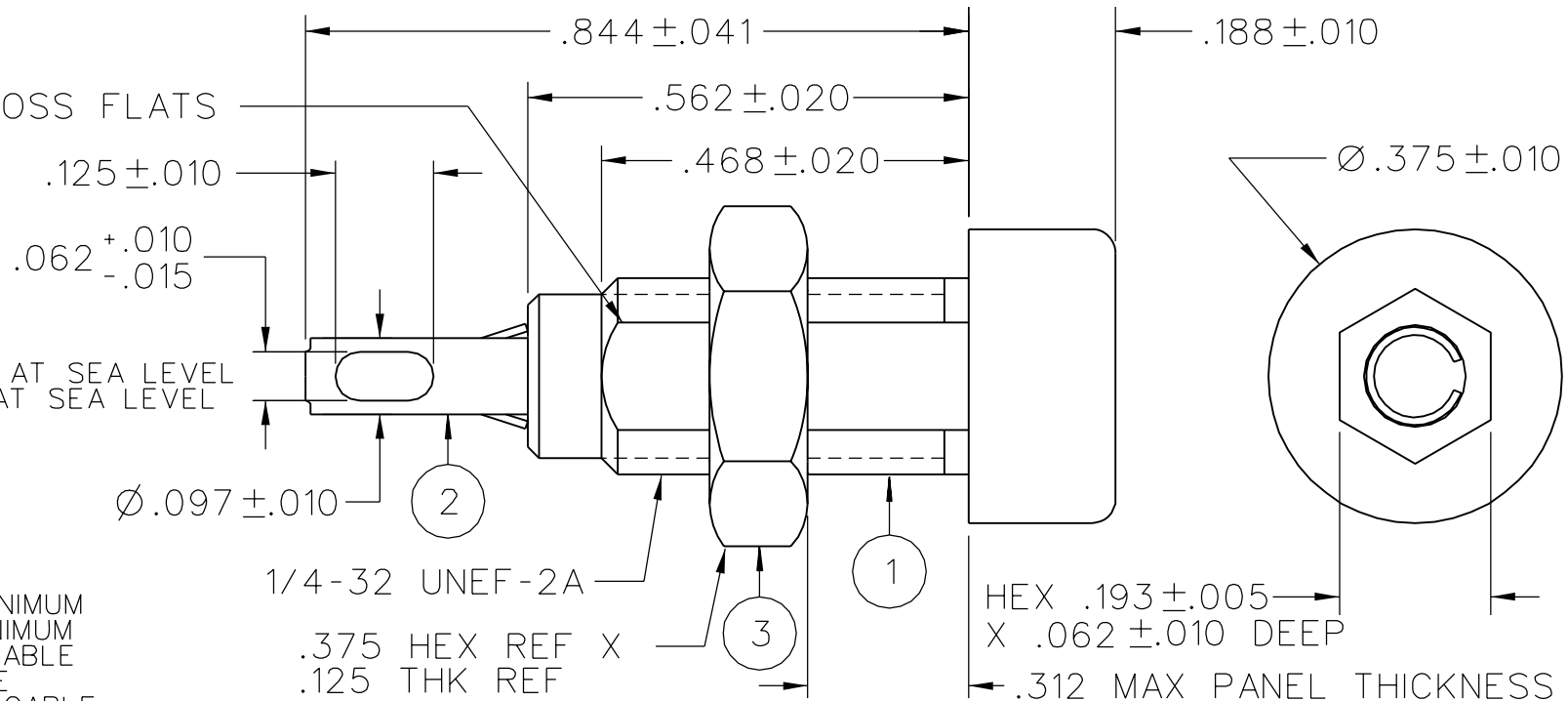


PART NUMBER	ITEM ①	COLOR	ITEM ②	ITEM ③
105-0801-001	NYLON	WHITE	PHOSPHOR BRONZE TIN PL .0002 MIN OVER NICKEL PL .00005 MIN	BRASS NICKEL PL .0001 MIN
105-0802-001		RED		
105-0803-001		BLACK		
105-0804-001		GREEN		
105-0805-001				
105-0806-001		ORANGE		
105-0807-001		YELLOW		
105-0808-001		BROWN		
105-0809-001				
105-0810-001		BLUE		
105-0811-001				
105-0812-001		VIOLET		
105-0813-001		GRAY		
105-0814-001				
105-0815-001				
105-0816-001				
105-0817-001				
105-0818-001				
105-0819-001				
105-0820-001				



RECOMMENDED MOUNTING HOLE

2X "D" FLATS .209±.010 ACROSS FLATS



NOTES:

SPECIFICATIONS:

ELECTRICAL:

CURRENT RATING: 10 AMPS DC MINIMUM
 DIELECTRIC WITHSTANDING VOLTAGE: 5700 VRMS MINIMUM AT SEA LEVEL
 RECOMMENDED WORKING VOLTAGE: 2850 VRMS MAXIMUM AT SEA LEVEL
 INSULATION RESISTANCE: 5000 MEGOHMS MINIMUM
 CONTACT RESISTANCE: 10 MILLIOHMS MAXIMUM
 CAPACITANCE: 2 PF NOMINAL

MECHANICAL:

INSERTION/WITHDRAWAL FORCE: 0.5 - 5.0 POUNDS
 CONTACT RETENTION IN INSULATOR FORCE: 10 POUNDS MINIMUM
 CONTACT RETENTION IN INSULATOR TORQUE: 12 IN OZ MINIMUM
 INSULATOR RETENTION IN .062 PANEL FORCE: NOT APPLICABLE
 INSULATOR RETENTION IN SLEEVE FORCE: NOT APPLICABLE
 INSULATOR RETENTION IN .062 PANEL TORQUE: NOT APPLICABLE
 PLASTIC MOUNTING THREAD STRIPPING TORQUE: 4 IN LBS MINIMUM
 RESISTANCE TO TEST PROBE DAMAGE TORQUE: 2 IN LBS MINIMUM
 MATING TIP PLUG DIAMETER: .080
 DURABILITY: 1000 CYCLES MINIMUM

ENVIRONMENTAL:

(MEETS OR EXCEEDS THE APPLICABLE PARAGRAPH OF MIL-PRF-39024)
 OPERATING TEMPERATURE: -55 DEG C TO 85 DEG C
 TEMPERATURE RISE AT RATED CURRENT: 10 DEG C MAXIMUM
 CORROSION: MIL-STD-1344, METHOD 1001, CONDITION B
 SHOCK: MIL-STD-1344, METHOD 2004, CONDITION G
 VIBRATION: MIL-STD-1344, METHOD 2005, CONDITION I
 HUMIDITY: MIL-STD-1344, METHOD 1002, CONDITION B

DRAWING NO.
B - 105-0801/0820-001

0 REVISIONS

REVISED AND REDRAWN. DRAWING WAS "C" SIZE 105-0801/0820-001/025 DATED 8-6-93. SPLIT INTO 2 SEPERATE DWGS. CREATED SHEET 2.

 * REVISION NUMBER FOLLOWED BY AN ALPHA *
 * CHARACTER INDICATES DRAWING CLARIFICATION OR PART NUMBER ADDITION ONLY. *

18b 1-7-03 R H R J B 10-16-03 ECN 48698

CUSTOMER DRAWING

THIS DRAWING TO BE INTERPRETED PER ASME Y 14.5M - 1994

"μSTATION"

COMPANY CONFIDENTIAL

TOLERANCE UNLESS OTHERWISE SPECIFIED		DRAWN BY	DATE
DECIMALS	mm	RJB	12-6-02
.XX		CHECKED BY	DATE
.XXX REF			
MATL		APPROVED BY	DATE
		RJB	10-16-03
FINISH		RELEASE DATE	10-16-03
		U/M	INCH
		SCALE	4:1

EMERSON Network Power
Connectivity Solutions
 P.O. Box 1732
 Waseca, MN 56093
 1-800-247-8256

TITLE
 ASSEMBLY, .080 (2.0mm) TIP JACK,
 INSULATED PANEL MOUNT,
 SOLDER TERMINAL

SHEET 2 OF 2
 DRAWING NO. B - 105-0801/0820-001