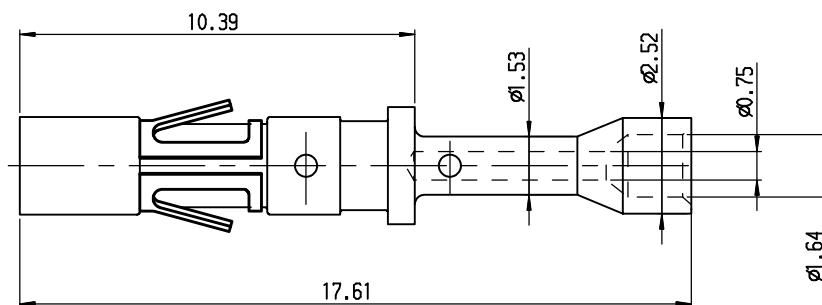


DIT IS ONZE EIGENDOM EN MAG NOCH NAGEMAKT, HERDRUKT, OVERGEMAKT, AAN
BEREIDEN, NOCH VOOR FABRIKATIE GEBRUIKT WORDEN, ZONDER ONZE SCHRIFTELIJKE
TOELATING. BIJ NIET GEBRUIK IS DE TERUGZENDING VERPLICHT.

THIS IS OUR EXCLUSIVE PROPERTY. IT IS NOT TO BE COPIED, REPRINTED,
OR DISCLOSED TO A THIRD PARTY, NOR USED FOR MANUFACTURING WITHOUT
OUR WRITTEN CONSENT, AND HAS TO BE RETURNED TO US IN CASE OF NO USAGE

REV.	DATE	DESCRIPTION	BY	C'K'D'
00	10/10/05	CREATION	R.Ch	
A	04/01/12	CHANGE CRIMP HAND TOOL	R.Ch	



PERFORMANCE CHARACTERISTICS

- CURRENT RATING : 13 A MAX.
- CONTACT RESISTANCE : $\leq 3 \text{ m Ohm}$
- CONTACT RETENTION IN INSERT : 110 N MIN.
- INDIVIDUAL INSERTION FORCE : 3.5 N MAX.
- INDIVIDUAL WITHDRAWAL FORCE : 0.55 N MIN.

CONTACTS SUITABLE FOR :

- UTO
- UTG
- UTP
- MSM
- SMS QIKMATE

EXTRACTION TOOL : RX2025GE1

CRIMP TOOL : HAND TOOL: SHANDLES / HEAD: S16RCM20

WIRE SIZE : AWG 26-24


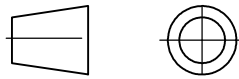
0.12 - 0.25 mm²

WIRE STRIP LENGTH = 4.8 MM

MATERIAL

- CONTACT BODY :
MATERIAL : BRASS
*PLATING : K = GOLD FLASH ALL-OVER, OVER 2 μ NICKEL MIN. ALL-OVER
- CONTACT INNER SPRING :
MATERIAL : BERYLLIUM COPPER
*PLATING : K = 0.4 μ MIN. GOLD ALL-OVER, OVER 2 μ NICKEL MIN. ALL-OVER
- RETAINING SPRING :
MATERIAL : BERYLLIUM COPPER - UNPLATED

GEN. ST.	01	02	03	04	05	06	07	08	0D	50	60	70	80	90																	
INT. ST.	10	11	12	13	14	18	20	31	32	33	34	38	39	40	42	43	44	45	46	48	56	70	72	73	75	76	81	82	83	84	88

1DEC $\pm 0,2$ 1DEC 2DEC $\pm 0,1$ 2DEC ANGLES $\pm 1'$ HOEKEN	APPR.	DATE	SIGN.	SHORT FEMALE CRIMP CONTACT-AWG24													
	DRAFT	10-10-05	ROUILLARD Ch	CAT.N°. RC24M9GE7K													
WE RESERVE THE RIGHT TO CHANGE DIMENSIONS OR REQUIREMENTS WITHOUT PRIOR NOTICE.	PROD. MGR.			 SOURIAU Connection Technology	SOURIAU Route Nationale 23 72470 CHAMPAGNE												SCALE
	PR.ENG.MGR.																
ALL DIMENSIONS IN MM	PR.MGT.MGR.			REFERENCES BS-A-202060-002													
	DRAWING NR. CUSTOMER DRAWING																
ALLE AFMETINGEN IN MM																	