

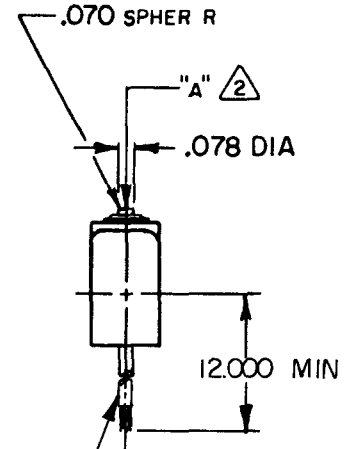
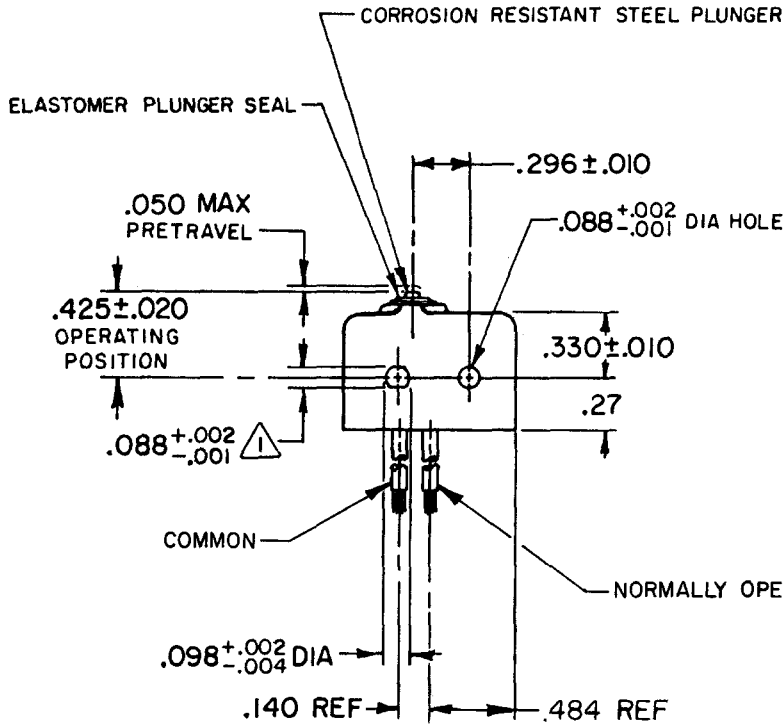
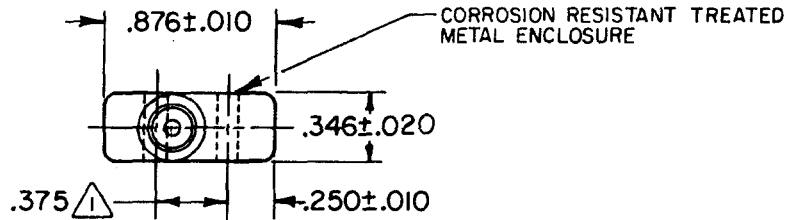
# MICRO SWITCH

FREEPORT ILLINOIS, U.S.A  
A DIVISION OF HONEYWELL  
FED. MFG. CODE 91929

# SWITCH - BASIC

CATALOG LISTING

# 1 S E 3



(2) NO. 20 WIRE LEAD  
PER MIL-W-22759/11  
EMBEDDED IN EPOXY  
CASTING RESIN

### NOTES

- 1 MOUNTING HOLES WILL ACCEPT .087 MAX DIA PINS OR SCREWS ON .375±.002 CENTERS
- 2 ACTUATION IN LINE WITH ARROW "A" IS RECOMMENDED
- 3 WEIGHT OF SWITCH ONLY IS .26 OZ MAX WEIGHT OF SWITCH WITH WIRE LEADS IN .51 OZ MAX

THIS DRAWING COVERS A PROPRIETARY ITEM AND IS THE PROPERTY OF MICRO SWITCH, A DIVISION OF HONEYWELL. THIS DRAWING IS NOT TO BE COPIED OR USED WITHOUT THE APPROVAL OF MICRO SWITCH.

THIRD ANGLE PROJECTION

### CHARACTERISTICS

OPERATING FORCE ----- 5-17 OZ  
RELEASE FORCE ----- 4 OZ MIN  
RELEASE TRAVEL ----- .004 MIN  
DIFFERENTIAL TRAVEL ----- .004 MAX  
OVERTRAVEL ----- .003 MIN

### ELECTRICAL DATA

CONTACT ARRANGEMENT  
S P N O  
250 VAC ----- 5 AMP  
30 VOLTS DC RATING  
INDUCTIVE ----- SEA LEVEL -- 3 AMP  
50,000 FT -- 2.5 AMP  
RESISTIVE ----- SEA LEVEL -- 5 AMP  
50,000 FT -- 5 AMP  
MAXIMUM INRUSH ----- 24 AMP

SCALE FULL

DO NOT SCALE PRINT

### TOLERANCES

APPLY TO DESIGN UNITS. CONVERSIONS ARE ONLY FOR REFERENCE. UNLESS NOTED, TOLERANCES ARE ±

	DIM. mm	TOL. mm/in	DIM. in	TOL. mm/in
NO PLACES	X	1/.04	X	0.01/0.05
TWO PLACES	X.X	0.4/.018	X.XX	0.38/.018
THREE PLACES	X.XX	0.16/.008	X.XXX	0.13/.008
ANGLES				

DESIGN UNITS  SI METRIC  US CUSTOMARY

WEIGHT  $\Delta$  3

**FORMTEK**  
 FO-52848-A  
 DRAWN  
 G J W  
 14 JUL 82  
 CHECK  
 G J W  
 27 JUL 82  
 REVISIONS  
 A CO 51463  
 G J W  
 14 JUL 82  
 B CO57041A  
 C J H  
 21 MAR 85  
 C OBS DWG  
 CO76001  
 C S L  
 28 JUL 93  
 D REINST  
 CO79228  
 S A D  
 7 DEC 94  
 E CO94274  
 D L M  
 MAR 99  
 ISSUE  
 213  
 DRAWING NUMBER  
 M  
 1 S E 3  
 PAGE 1 OF 1  
 RELEASE NO. SR-4521  
 REPLACES