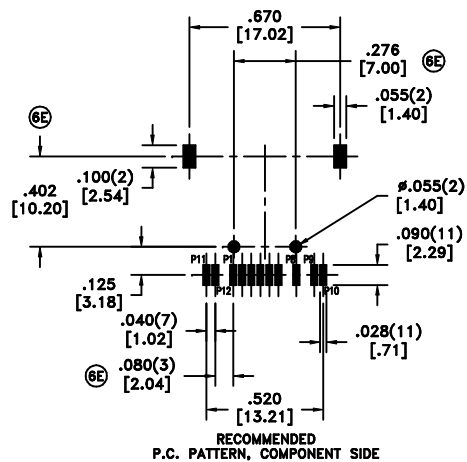
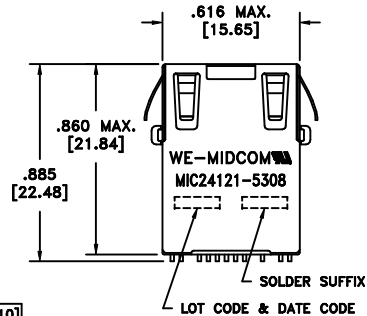
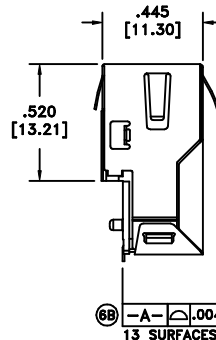
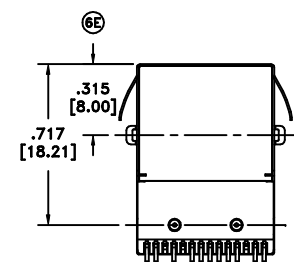
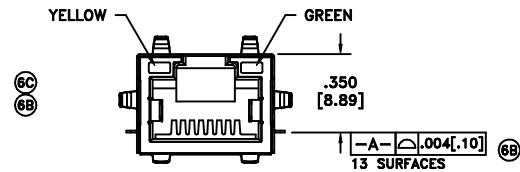


SOLDER SUFFIX	CUSTOMER TERMINAL	RoHS	LEAD(Pb)-FREE
LF3	Sn100%	Yes	No



**ELECTRICAL SPECIFICATIONS @ 25°C unless otherwise noted:**

INDUCTANCE: 350uH min., 100kHz, 100mV, 8mADC, J1-J2; J3-J6, Lp.

⑥ DIELECTRIC RATING: 2250VDC for 1 minute between P1-J1(tie P1+P4).

TURNS RATIO/POLARITY: (P1-P3):(J1-J2) = 1:1, ±2%.  
(P4-P6):(J3-J6) = 1:1, ±2%.

INSERTION LOSS: -1.0dB max., 1MHz - 100MHz.

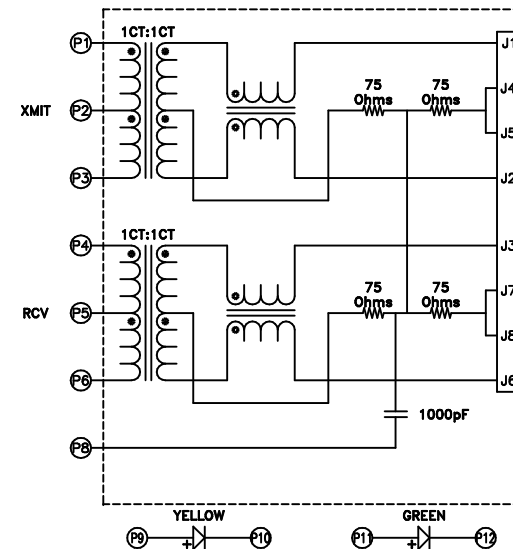
RETURN LOSS: -18dB min., 1M - 30MHz.  
-16dB min., 30M - 45MHz.  
-14dB min., 45M - 60MHz.  
-12dB min., 60M - 80MHz.

CROSSTALK: -35dB min., 1MHz - 100MHz.

COMMON MODE REJECTION: -35dB min., 1MHz - 100MHz.

OPERATING TEMPERATURE RANGE: -40°C to +85°C.

Designed for 10/100Base-T Application.



REV.	DATE
6E	8/07
6D	3/07
6C	1/07
6B	10/06
6A	2/06

Packaging Specifications  
Method: Tray  
PKG-0586  
www.midcom-inc.com

Unless otherwise specified:  
Tolerances: Fractions: ±1/64 ⑥  
Angles: ±1° Decimals: ±.005[.127]

This drawing is dual dimensioned. Dimensions in brackets are in millimeters.

DRAWING TITLE

TRANSFORMER  
10/100Mbps

eiSos p/n: 7498011122



PART NO.

MIC24121-5308W-LF3

SEE REVISION SHEET FOR REVISION LEVEL

SPECIFICATION SHEET 1 OF 1

AGENCY NUMBER

UL60950-1 E205930