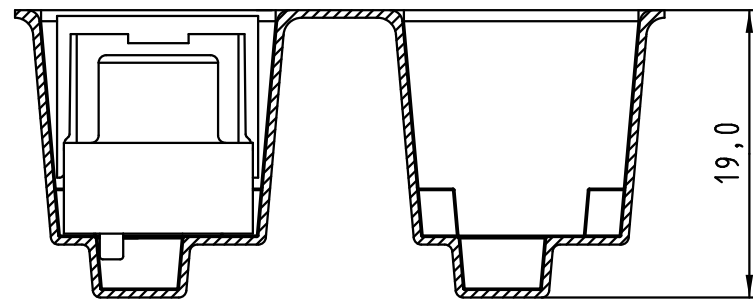


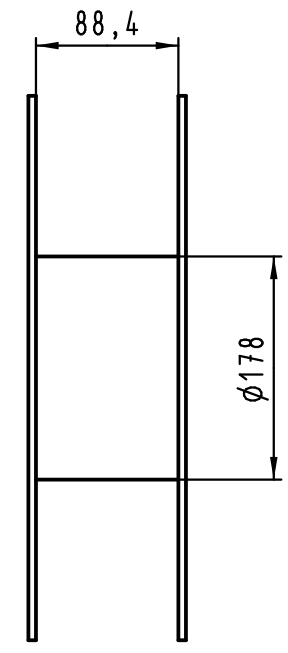
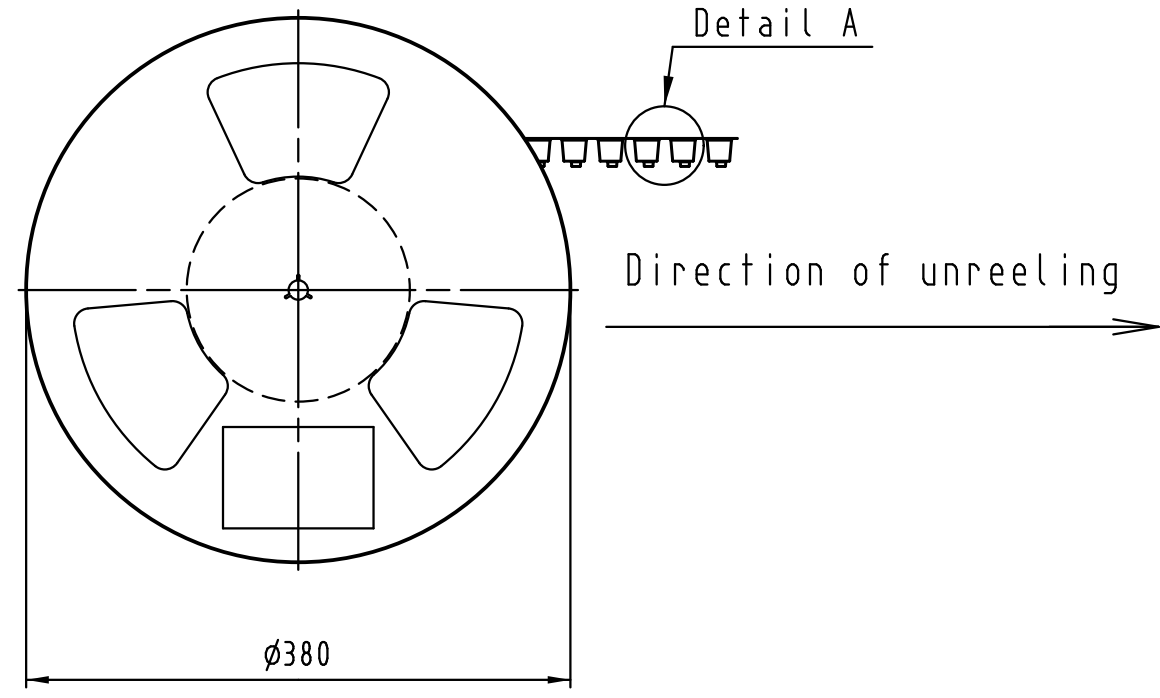
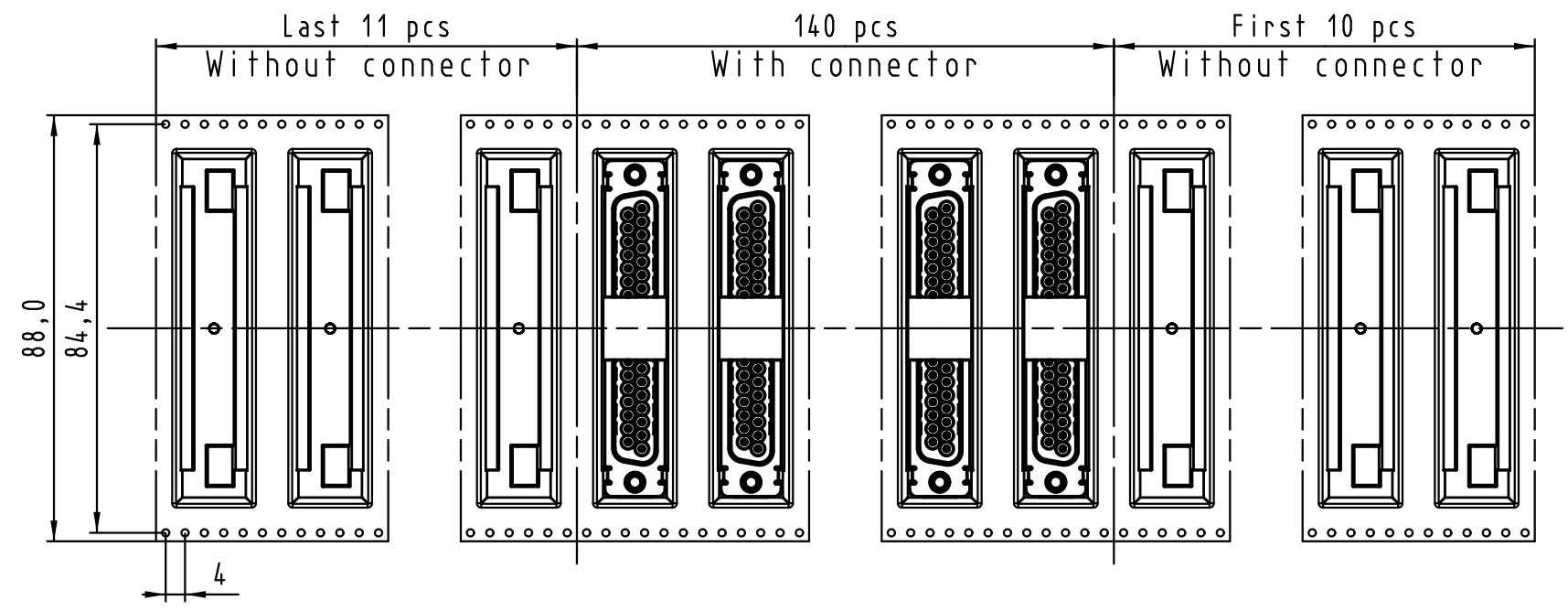
Max. Temperature: 260° during 10 seconds.

0955 429 3811 741	1	M3	Black insulator	Reel Packaging: 140 connectors (See details on page2/2)	
0955 429 3812 741	1	4-40 UNC			
0955 429 6811 741	2	M3			
0955 429 6812 741	2	4-40 UNC			
0955 429 7811 741	3	M3			
0955 429 7812 741	3	4-40 UNC			
Part number	PL	Nut	Index designation		
		Techn. Character.		Free size tolerances	
			Dat.	Name	Scale
			Detail.	25-Oct-11 Johnson.S	1.5:1
			Insp.	17-Nov-11 Steven.W	
			Stand.	17-Nov-11 Steven.W	
EC04070	17-Nov-11	Johnson.S	Zhuhai HARTING Limited		
Mod.	Dat.	Name	TB 09 55 429 x81x		
					Page 1/2

All rights reserved



Detail A



See TB 09 55 429 x81x folio 1/2 for connector dimensions and PCB layout

Packaging in accordance with EIA 481-2.

0955 429 3811 741	1	M3	Black insulator	Reel Packaging: 140 connectors
0955 429 3812 741	1	4-40 UNC		
0955 429 6811 741	2	M3		
0955 429 6812 741	2	4-40 UNC		
0955 429 7811 741	3	M3		
0955 429 7812 741	3	4-40 UNC		
Part number	PL	Nut	Index designation	

	All Dimensions in mm Original Size DIN A 3			Techn. Character.			Free size tolerances		
EC04070	17-Nov-11	Johnson.S	Zhuhai HARTING Limited						TB 09 55 429 x81x Sub.
Mod.	Dat.	Name							
									D-Sub SMT, 37 poles Male, Straight with nuts and ground pads
									Page 2 / 2