



# MICRO SWITCH

A DIVISION OF MINNEAPOLIS-HONEYWELL REGULATOR COMPANY  
MINNEAPOLIS, MINN. 55412

FED. MFR. CODE 91929

## SWITCH - BASIC

CATALOG LISTING

BZ-RW8435-A2

M BZ-RW8435-A2

DRAWING NUMBER

ISSUE

X 9

REPLACES

RELEASE NO.

CHECK

CHECK

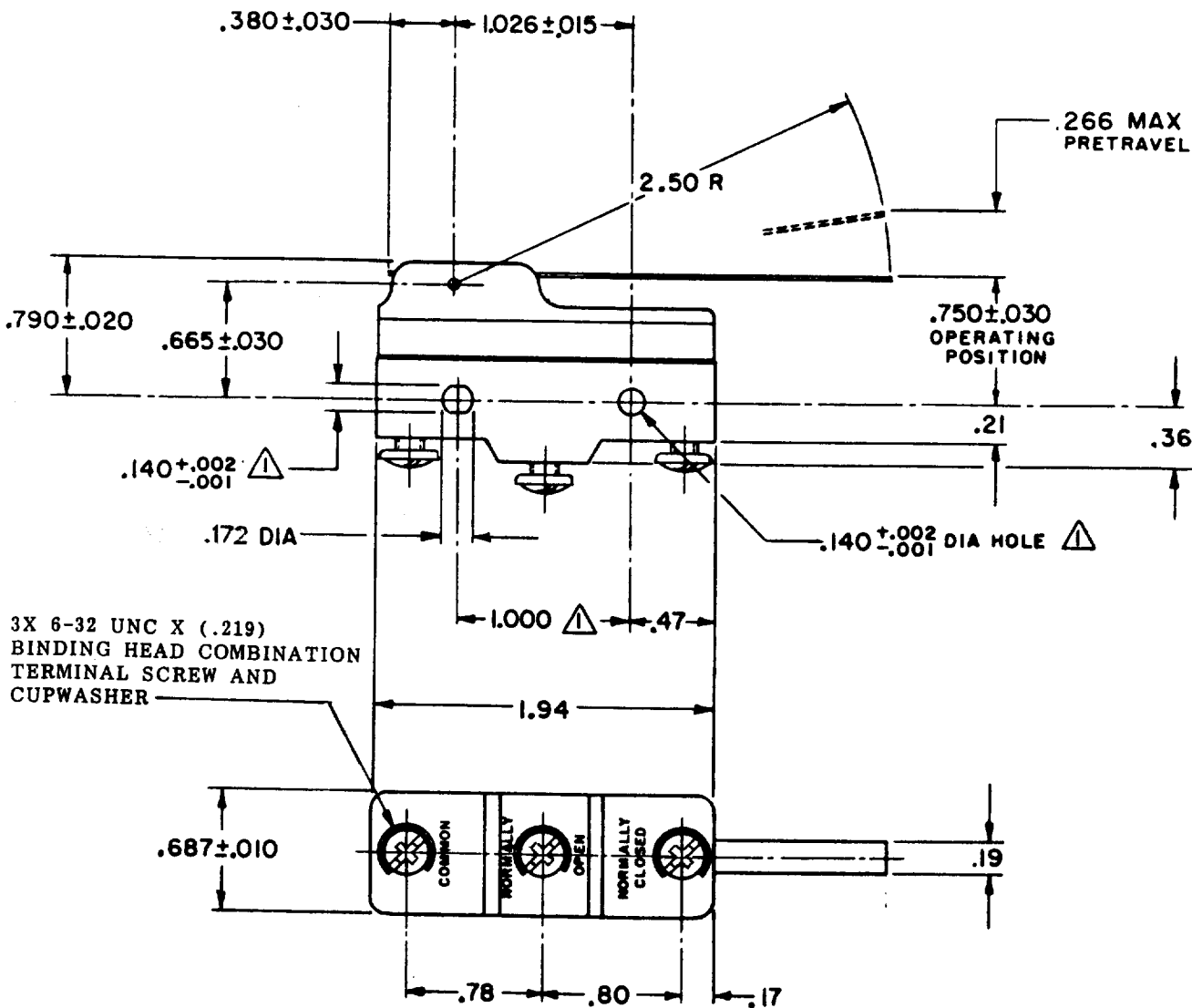
29 MAY 62

D A W

CHECK

27 APRIL 62

D A W



NOTE -  
 MOUNTING HOLES WILL ACCEPT PINS OR SCREWS OF .139 MAX DIA ON 1.000 ± .002 CENTERS

THIS DRAWING COVERS A PROPRIETARY ITEM AND IS THE PROPERTY OF MICRO SWITCH, A DIVISION OF MINNEAPOLIS-HONEYWELL REGULATOR CO. THIS DRAWING IS NOT TO BE COPIED OR USED WITHOUT THE APPROVAL OF MICRO SWITCH.

### CHARACTERISTICS

OPERATING FORCE - - - - 7 GRAM MAX

DIFFERENTIAL TRAVEL - - - - .003 - .015

OVERTRAVEL - - - - .219 MIN

### ELECTRICAL DATA

CONTACT ARRANGEMENT  
S P D T

UNDERWRITERS' LAB. INC. LISTED RATING  
 - L95- 10 A - 125, 250 OR 480 VAC  
 1/8 HP - 125 VAC; 1/4 HP - 250 VAC



SCALE FULL

DO NOT SCALE PRINT

UNLESS OTHERWISE SPECIFIED  
 DIMENSIONS ARE IN INCHES

### TOLERANCES ARE:

ONE PLACE	(.0)	±.030
TWO PLACE	(.00)	±.015
THREE PLACE	(.000)	±.008
ANGLES		±

WEIGHT .073 LB

O-80378