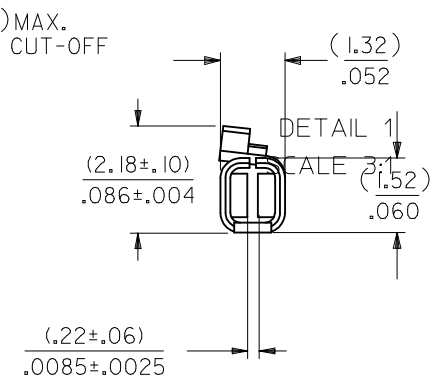
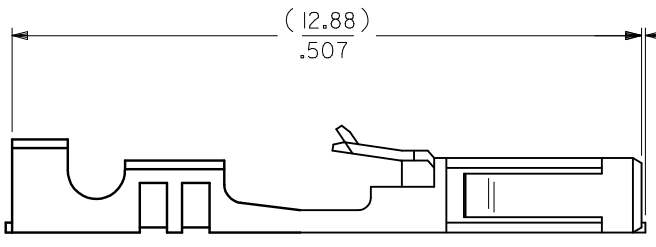
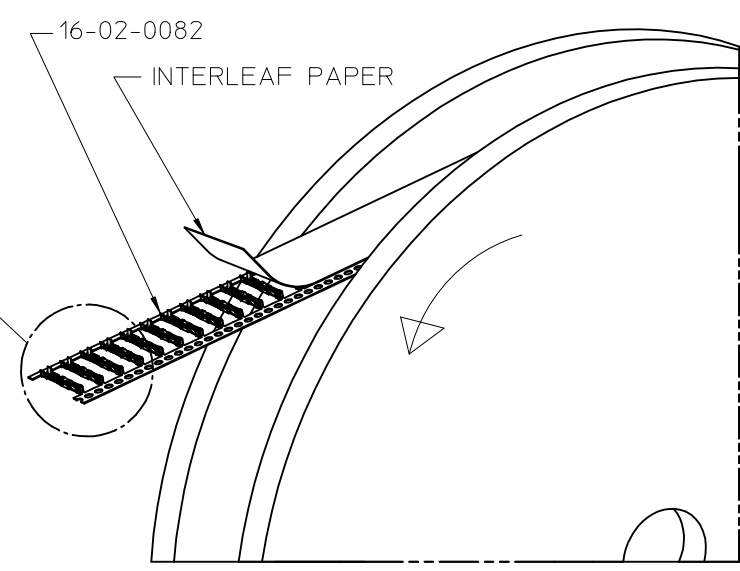
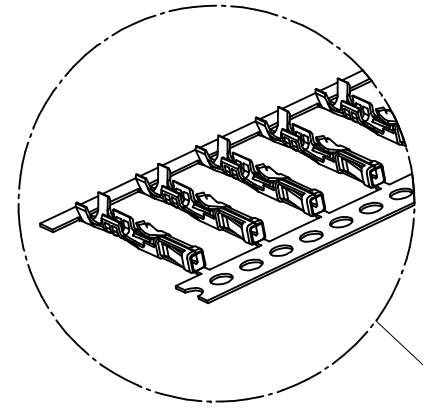
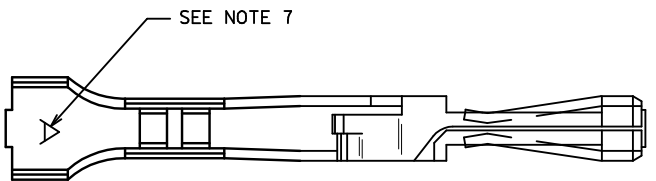


10 9 8 7 6 5 4 3 2 1



- NOTES:
1. TERMINAL TO BE USED IN HOUSING 70066-**** AND 70450-****.
 2. REFER TO PRODUCT SPECIFICATION PS-70058.
 3. REFER TO MOLEX OPERATIONS AND SERVICE MANUAL FOR CRIMP DETAILS.
 4. TERMINAL TO BE USED WITH (0.64)/.025 SQUARE PINS.
 5. TERMINAL TO BE USED WITH 24-30 AWG STRANDED WIRE WITH (1.52)/.060 MAXIMUM DIAMETER INSULATION.
 6. TERMINALS SUPPLIED IN REEL FORM.
 7. CRIMP SIZE INDICATOR A=24-30 AWG

PLATING:
 .000015 MINIMUM GOLD PLATE IN SELECT AREA,
 .000075 MINIMUM TIN PLATE IN SELECT AREA,
 OVER NICKEL PLATE OVERALL.

REEL UNWIND DIR. EC NO: UCP2013-5345 DRAWN: DMORGAN 2013/06/10 CHKD: MPOFF 2013/06/10 APPR: SMILLER 2013/07/09	QUALITY SYMBOLS	GENERAL TOLERANCES (UNLESS SPECIFIED)	DIMENSION STYLE	SCALE	DESIGN UNITS	THIRD ANGLE PROJECTION
	▽E=0	4 PLACES ± --- ± ---	MM/IN	10:1	INCH	☉
	▽E=0	3 PLACES ± --- ± .005	mm INCH			
	▽E=0	2 PLACES ± 0.13 ± .010				
		1 PLACE ± 0.25 ± ---				
		0 PLACE ± --- ± ---				
		ANGULAR ± 1/2° DRAFT WHERE APPLICABLE MUST REMAIN WITHIN DIMENSIONS				
			DRAWN BY DATE DMORGAN 2013/06/10	TITLE TERMINAL - BOX/CRIMP FOR 24-30 AWG ON A REEL		
			CHECKED BY DATE JAS 1988/03/02	molex		
			APPROVED BY DATE SMILLER 2013/07/09			
			MATERIAL NO. 16-02-0082	DOCUMENT NO. SD-70058-0006	SHEET NO. 1 OF 1	
			SIZE B	THIS DRAWING CONTAINS INFORMATION THAT IS PROPRIETARY TO MOLEX INCORPORATED AND SHOULD NOT BE USED WITHOUT WRITTEN PERMISSION		

9 8 7 6 5 4 3 2 1