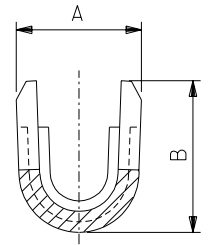


DIMENSIONS IN METRIC DO NOT SCALE DRAWING

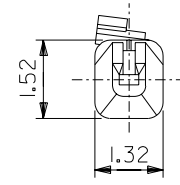
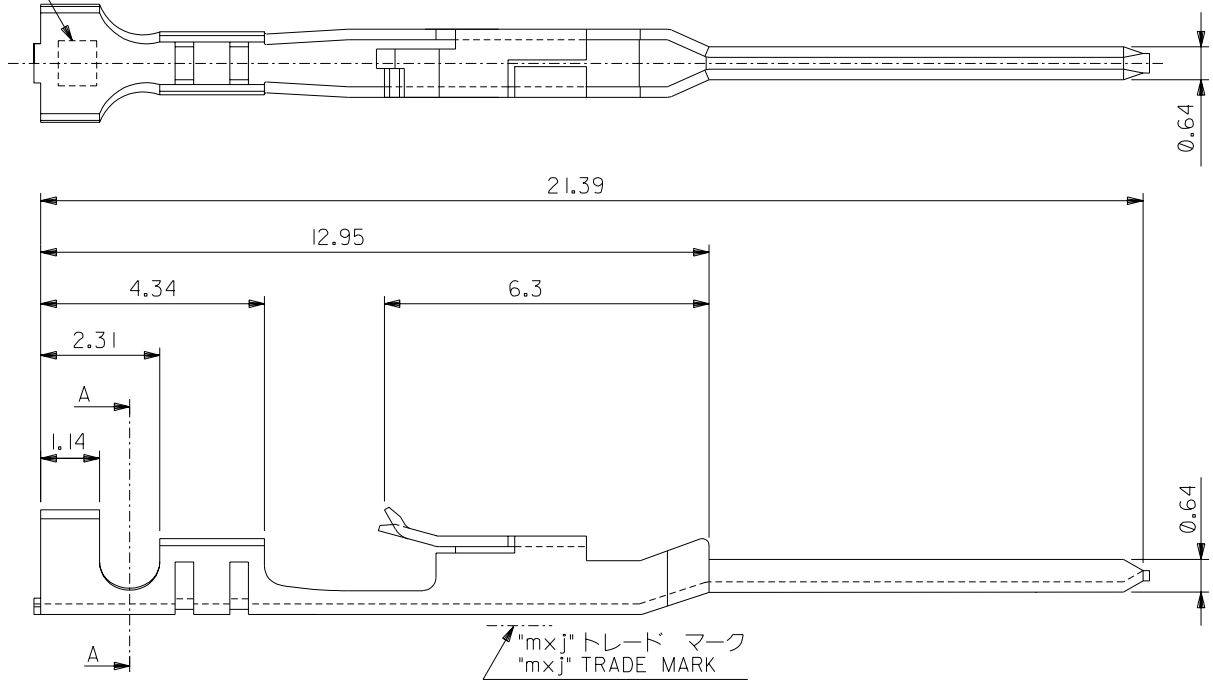
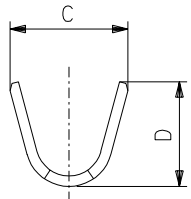
ENG. NO. 0\*04  
SD-70021-0\*21

EDP NO. #

適用電線表示  
CRIMP SIZE CODE LETTER



断面 A-A  
SECTION A-A  
(SCALE:20-1)

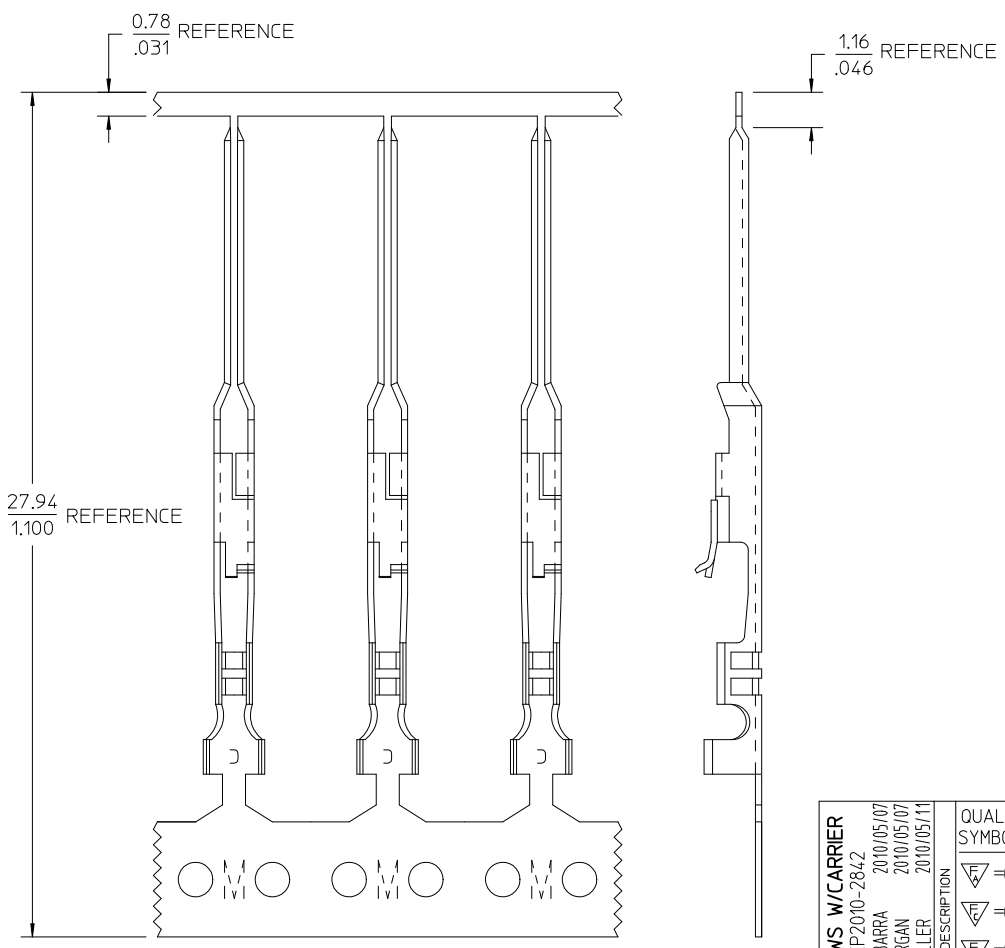
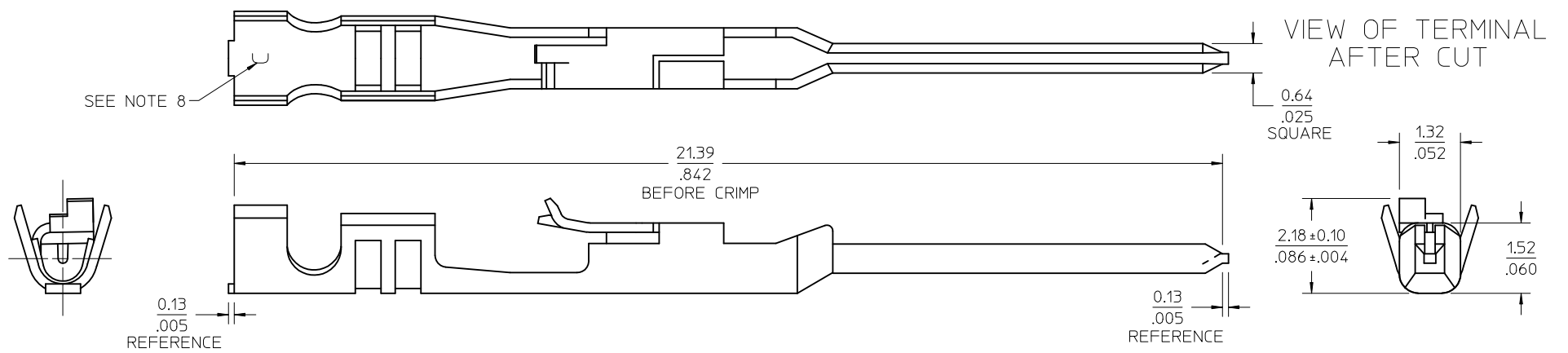


注記:  
NOTES:

- 適合ハウジング: 70066-\*\*\*\*, 70107-\*\*\*\*  
APPLICABLE HOUSING: 70066-\*\*\*\*, 70107-\*\*\*\*
- 仕上げ ニッケル下地、錫メッキ  
FINISH TIN OVER NICKEL PLATING

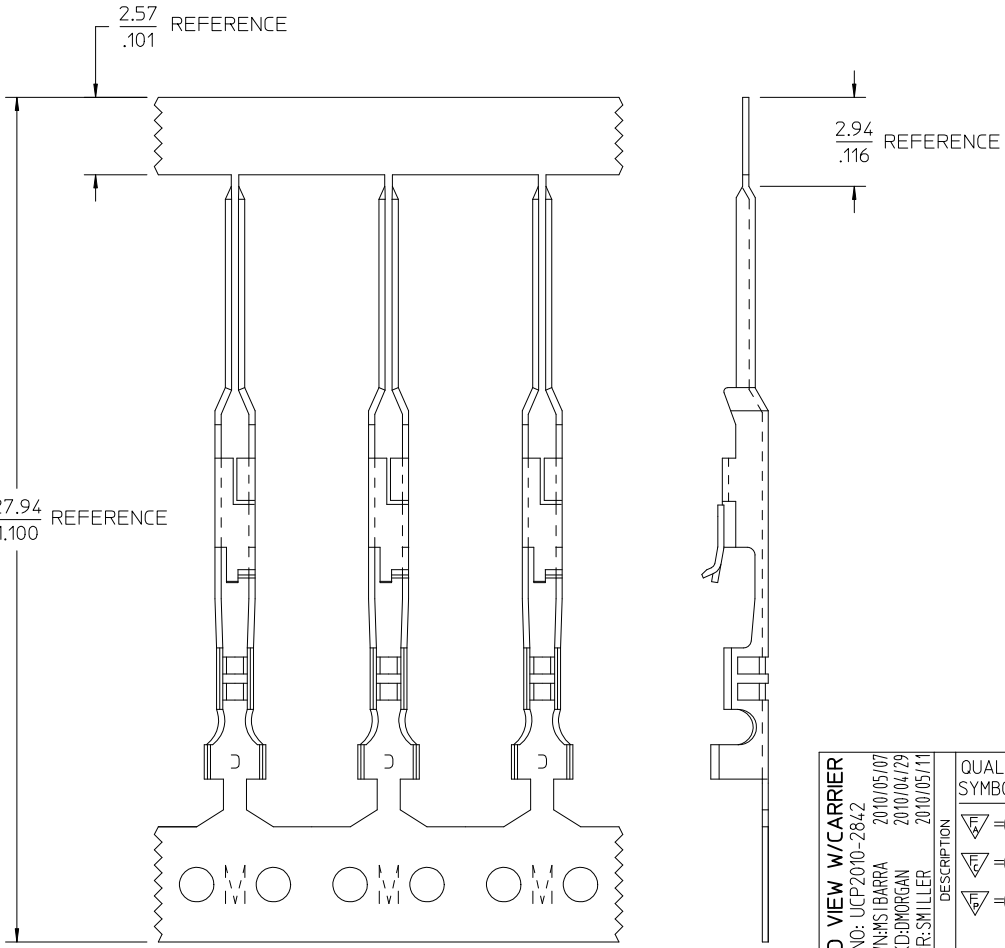
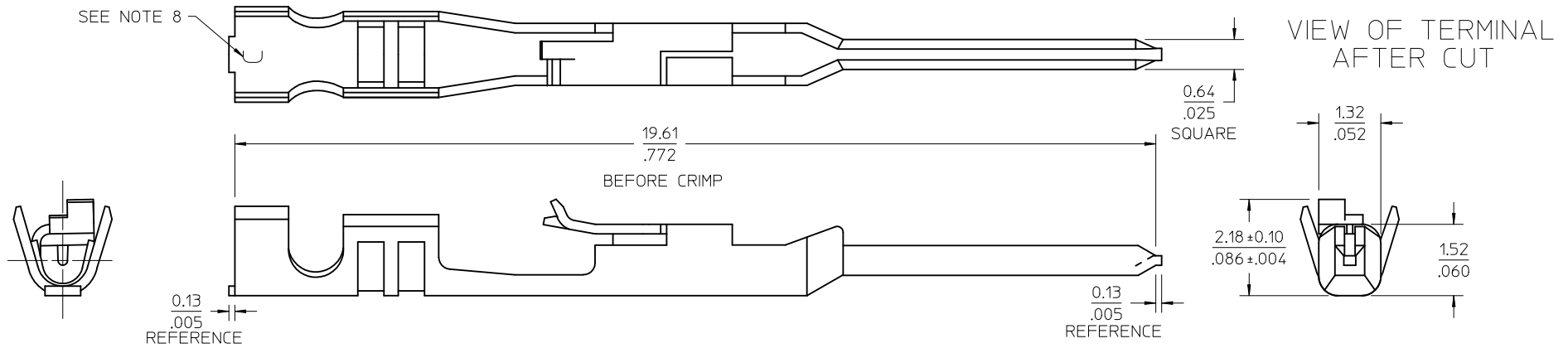
1.91	2.1	1.47	1.22	A	φ 1.6 MAX.	AWG#24-#30	バラ状 LOOSE	70021-0204
1.91	2.1	1.65	1.84	C		AWG#22-#24	バラ状 LOOSE	70021-0221
D	C	B	A	適用電線表示 CRIMP SIZE CODE LETTER	被覆外径 INS. RANGE	適用電線範囲 WIRE RANGE	端子形状 FORM	MATERIAL No.
				材料 MATERIAL	磷青銅 PHOSPHOR BRONZE			MOLEX-JAPAN CO.,LTD. 日本モレックス株式会社
				仕上げ FINISH	注記参照 SEE NOTES			
角度 ANGLE	+3°	B	変更 REVISED (J2004-4519)	Y.W.	M.S.	04/05/31	適用電線範囲 WIRE RANGE	表参照 SEE CHART
30以上 OVER	+0.3	A	変更 REVISED (T20159)	H.I.	H.I.	19/5/20	被覆外径 INS. RANGE	表参照 SEE CHART
10以上 OVER	+0.25	0	新規作成 RELEASED (T00110)	Y.W.	M.S.	19/4/6		
10未満 UNDER	+0.2	記号 LTR	変更内容 REVISION RECORD	DR. CHK.	日付 DATE		DRAWN BY A. Mitake	CHK'D BY A.A. M. Kuro
一般公差 GENERAL TOLERANCES							APP'D BY S. Yamada	尺度 SCALE 10-1
REVISE ONLY ON CAD SYSTEM								TITLE 名称 SL MALE CRIMP TERMINAL -LEAD FREE-

THIS DRAWING CONTAINS INFORMATION THAT IS PROPRIETARY TO MOLEX(JAPAN) AND SHOULD NOT BE USED WITHOUT WRITTEN PERMISSION  
本図面は日本モレックス(株)の所有する情報を含むもので 当社の許可なく複製を禁止する。



- NOTES:
1. MATERIAL: PHOSPHOR BRONZE, 0.20/.008 THICK
  2. FINISH: 3.81 MICROMETERS/150 MICROINCHES TIN OVER NICKEL UNDERPLATE OVERALL
  3. PRODUCT SPECIFICATION: PS-70021
  4. PACKAGING: PARTS SUPPLIED IN REEL FORM
  5. TERMINAL FOR USE WITH: 70066-\*\*\*\* & 70107-\*\*\*\* HOUSINGS
  6. TERMINAL TO BE USED WITH: 22-24 AWG STRANDED WIRE WITH .064 DIAMETER MAXIMUM INSULATION
  7. REFER TO MOLEX OPERATIONAL AND SERVICE MANUAL FOR DETAILS
  8. CRIMP SIZE INDICATOR: C=22-24 AWG

<b>ADD VIEWS W/CARRIER</b> EC NO: UCP2010-2842 DRW:MSI.BARRA 2010/05/07 CHKD:J.MORGAN 2010/05/07 APPR:SMILLER 2010/05/11	QUALITY SYMBOLS 	GENERAL TOLERANCES (UNLESS SPECIFIED)		DIMENSION STYLE IN/MM		SCALE	DESIGN UNITS INCH	THIRD ANGLE PROJECTION			
		4 PLACES ± --- ± ---	3 PLACES ± --- ± .005	2 PLACES ± .13 ± .01	1 PLACE ± 0.25 ± ---	ANGULAR ± 1/2°	DRAWN BY MSI.BARRA	DATE 2010/05/07	TITLE TERMINAL, MALE CRIMP		
		DRAFT WHERE APPLICABLE MUST REMAIN WITHIN DIMENSIONS					APPROVED BY SMILLER	DATE 2010/05/11	MATERIAL NO. 16-02-0107		
							DOCUMENT NO. SD-70021-0021		SHEET NO. 1 OF 1		



- NOTES:
1. MATERIAL: PHOSPHOR BRONZE, 0.20/008 THICK
  2. FINISH: 3.81 MICROMETERS/150 MICROINCHES TIN OVER NICKEL UNDERPLATE OVERALL
  3. PRODUCT SPECIFICATION: PS-70021
  4. PACKAGING: PARTS SUPPLIED IN REEL FORM
  5. TERMINAL FOR USE WITH: 70066-\*\*\*\* & 70107-\*\*\*\* HOUSINGS
  6. TERMINAL TO BE USED WITH: 22-24 AWG STRANDED WIRE WITH .064 DIAMETER MAXIMUM INSULATION
  7. REFER TO MOLEX OPERATIONAL AND SERVICE MANUAL FOR DETAILS
  8. CRIMP SIZE INDICATOR: C=22-24 AWG

<b>ADD VIEW W/CARRIER</b> EC NO: UCP2010-2842 DRW:MSI.BARRA 2010/05/07 CHKD:DMORGAN 2010/04/29 APPR:SMILLER 2010/05/11	QUALITY SYMBOLS 	GENERAL TOLERANCES (UNLESS SPECIFIED)		DIMENSION STYLE		SCALE	DESIGN UNITS	THIRD ANGLE PROJECTION	
				MM/IN		15:1	INCH		
				DRAWN BY DATE		TITLE			
				MSI.BARRA 2010/04/29		TERMINAL, MALE CRIMP			
B	DESCRIPTION REV	4 PLACES ± --- ± ---		CHECKED BY DATE		MOLEX MOLEX INCORPORATED		SHEET NO.	
		3 PLACES ± --- ± .010		DMORGAN 2010/04/29		DOCUMENT NO.		1 OF 1	
		2 PLACES ± 0.25 ± .015		APPROVED BY DATE		70021-1021		SD-70021-1021	
		1 PLACE ± 0.35 ± ---		SMILLER 2010/05/11		70021-1021		SD-70021-1021	
		ANGULAR ±1/2°		MATERIAL NO.					
				70021-1021					
				SIZE					
				C					
				THIS DRAWING CONTAINS INFORMATION THAT IS PROPRIETARY TO MOLEX INCORPORATED AND SHOULD NOT BE USED WITHOUT WRITTEN PERMISSION					

SCALE 8:1