

REV.	CNN	CNN DESCRIPTION	Date	Check in
04	2753	BORDER CHANGE	29/09/2010	Shaun Barron
05	2753	BORDER CHANGE	03/09/2012	Shaun Barron

A range of high quality UK manufactured phono plugs made from machined brass with various plating options.

- Centre contact available in solid pin.
- Ground contact with unique 'T' shape slot for maximum contact area.
- Internal cable clamp for secure cable connection.
- Spring strain relief.
- Colour coded ID rings for easy cable identification.
- Attractive body styling.
- Maximum cable size 5.5mm

Rating -

Rated Current: 5A.

Rated Voltage: 50V

Insulation resistance - 100M  $\Omega$  at 500 Vdc

**Material**

Centre contact :Brass, flash gold plated

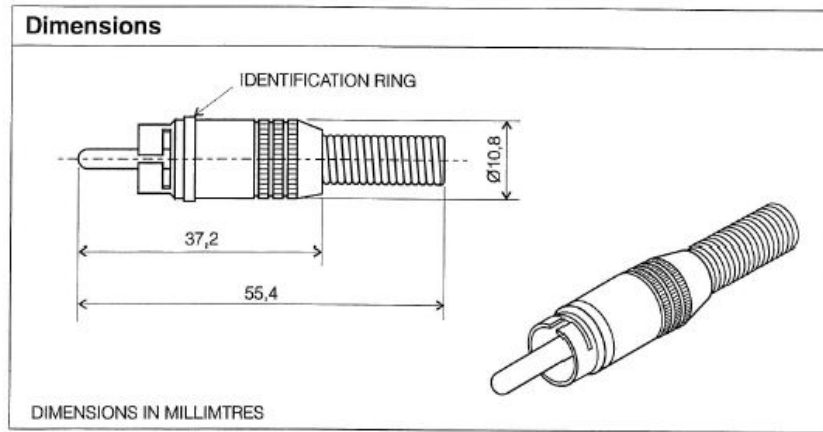
Ground contact :Brass, flash gold plated

Insulation :Noryl SE1

Cable clamp :Brass, flash gold plated

Spring :Spring steel, black chrome plated

Cap :Brass, black chrome plated



Deltron Part No.	Description
335-0000	FLASH GOLD PLUG ASSY/BLACK CHROME CAP & SPRING
335-0100	FLASH GOLD PLUG ASSY/BLACK CHROME CAP & SPRING (BLACK ID RING)
335-0200	FLASH GOLD PLUG ASSY/BLACK CHROME CAP & SPRING (BLUE ID RING)
335-0500	FLASH GOLD PLUG ASSY/BLACK CHROME CAP & SPRING (RED ID RING)
335-0600	FLASH GOLD PLUG ASSY/BLACK CHROME CAP & SPRING (WHITE ID RING)
335-0700	FLASH GOLD PLUG ASSY/BLACK CHROME CAP & SPRING (YELLOW ID RING)

Tel No. +44(0)1724 273200 Website www.dem-uk.com



PROPRIETARY AND CONFIDENTIAL  
THE INFORMATION CONTAINED IN THIS DRAWING IS THE SOLE PROPERTY OF  
ALPHA 3 MANUFACTURING.  
ANY REPRODUCTION IN PART OR AS A WHOLE WITHOUT THE WRITTEN PERMISSION OF  
ALPHA 3 MANUFACTURING IS PROHIBITED.



UNLESS OTHERWISE SPECIFIED:  
DIMENSIONS ARE IN MILLIMETRES  
LINEAR TOLERANCE:  
NO DECIMAL PLACES  $\pm 0.5\text{mm}$   
1 DECIMAL PLACE  $\pm 0.25\text{mm}$   
2 DECIMAL PLACES  $\pm 0.125\text{mm}$   
ANGULAR TOLERANCE:  $\pm 1^\circ$

FINISH SEE NOTE  
DEBURR AND BREAK SHARP EDGES  
DRAWN BY SPB  
APPROVED BY WC  
THIRD ANGLE PROJECTION  
IF IN DOUBT ASK  
DO NOT SCALE DRAWING

MATERIAL SEE NOTE

SHEET 1 OF 1  
SCALE 1:1  
A4

TITLE GENERAL SPECIFICATION  
335 SERIES  
PROFESSIONAL PHONO LINE PLUG  
DRAWING NO. 335 SERIES  
ISSUE 05  
Release