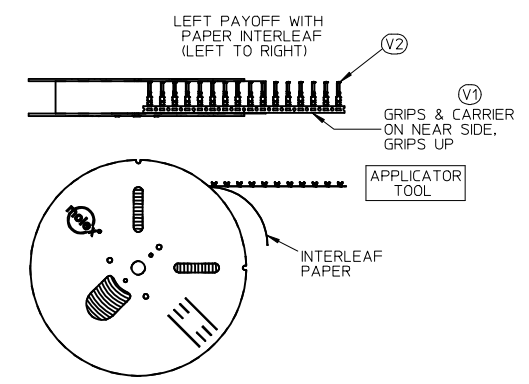
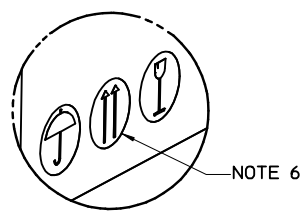
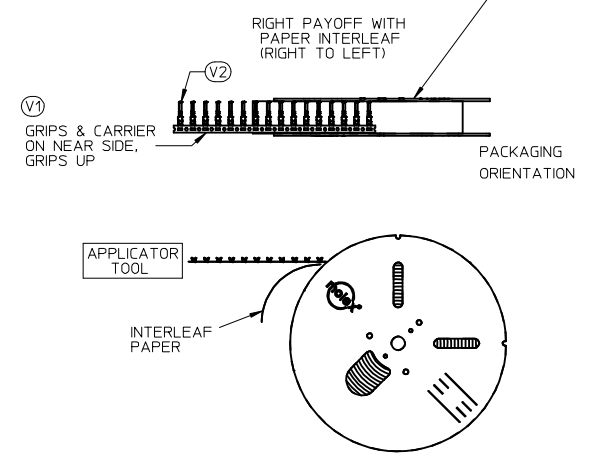


PAYOFF DIRECTION D



PLACE PRODUCT ID LABEL ON THIS SIDE TO INDICATE THE PREFERRED PACKAGING ORIENTATION

PAYOFF DIRECTION B



DETAIL 1
SCALE 1:1.33

CUSTOMER COPY

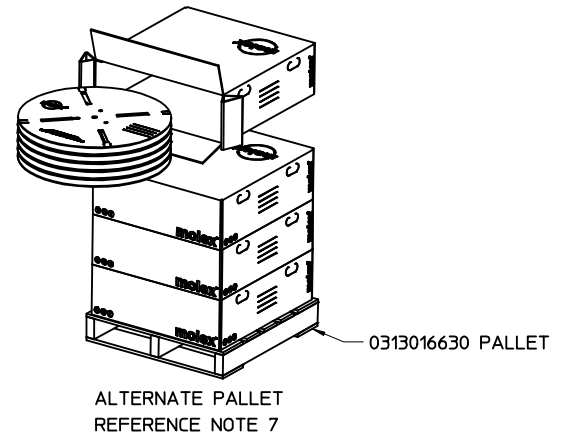
- NOTES:**
1. NUMBER OF TERMINALS PER REEL: SEE TABLE (SHEET 2)
 2. STANDARD PACK QUANTITY (SPQ): SEE TABLE (SHEET 2)
 3. NUMBER OF REELS PER CARTON: SEE TABLE (SHEET 2)
 4. SPLICING: NO BREAKS, MAXIMUM 1 WELD PER REEL
 5. TO MINIMIZE STRESS ON TERMINALS, REELS SHOULD ALWAYS BE SHIPPED ON PALLETS WITH THE REELS LAYING FLAT AS SHOWN.
 6. PLACE CARTONS ON PALLET WITH ARROWS POINTING UP PER DETAIL 1
 7. ORDERS ARE POSSIBLE FOR (4) CARTONS OR LESS, USING 660MM X 660MM (26" X 26") PALLET (0313016630).
 8. FOR INTERNAL COPY SEE: PK-31301-053

CREATE: UAU2013-0624 EC NO: UAU2013-0624 DRAWN: PPHELPS 2012/10/24 CHKD: APPR: JNORTHRO 2012/11/26 REV: 1	DESCRIPTION QUALITY SYMBOLS ▽=0 ▽=0	GENERAL TOLERANCES (UNLESS SPECIFIED)		DIMENSION STYLE MM ONLY	SCALE 1:10	DESIGN UNITS METRIC	THIRD ANGLE PROJECTION		
		4 PLACES ± --- ± --- 3 PLACES ± --- ± --- 2 PLACES ± --- ± --- 1 PLACE ± --- ± ---	mm INCH	DRAWN BY PPHELPS	DATE 2012/10/24	TITLE CTX PACKAGING SPEC GEN. MKRT. PRODUCT CUSTOMER COPY			
		ANGULAR ± 1 °		CHECKED BY DATE	APPROVED BY JNORTHRO	DATE 2012/11/26	MOLEX INCORPORATED		
		DRAFT WHERE APPLICABLE MUST REMAIN WITHIN DIMENSIONS		MATERIAL NO. SEE TABLE	DOCUMENT NO. SD-31301-053	SHEET NO. 1 OF 2			

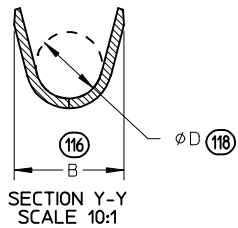
THIS DRAWING CONTAINS INFORMATION THAT IS PROPRIETARY TO MOLEX INCORPORATED AND SHOULD NOT BE USED WITHOUT WRITTEN PERMISSION

PACKAGING DATA									
PRODUCT DESCRIPTION	CTX 64		CTX 150			CTX 280 SEALED			
PRODUCT P/N SERIES	034803****		034805****			034808****			
GRIP CODE	S	L	S	M	L	VS	S	M	L
PART WT (Kg/1000)	.1552	.1642	.3070	.3270	.3470	.6596	.6886	.7106	.7332
STAND PACK QTY (SPQ)	60000	60000	35000	30000	25000	10000	10000	10000	10000
QTY/REEL	10000	10000	7000	6000	5000	2000	2000	2000	2000
REELS/SHIPPER CARTON	6	6	5	5	5	5	5	5	5
CARTONS/PALLET (MAX)	8	8	8	8	8	8	8	8	8
FILLED CARTON WT (Kg)	14.83	15.37	15.64	14.70	13.57	11.5	11.8	12.0	12.2
FLANGE DIAMETER (MM)	610	610	610	610	610	610	610	610	610

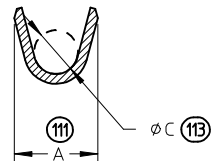
CUSTOMER COPY



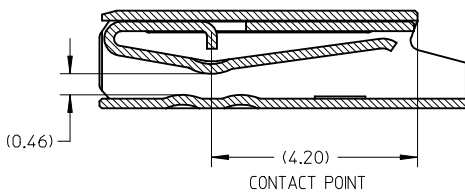
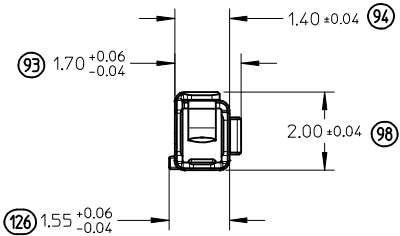
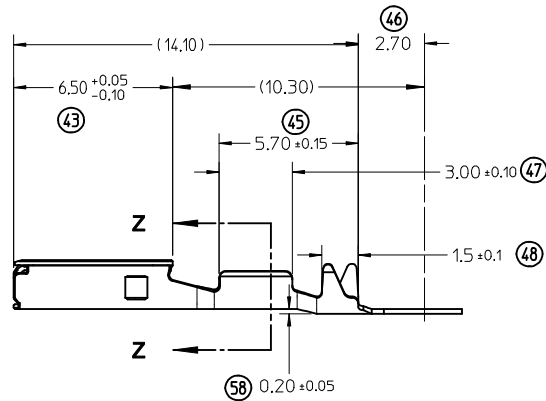
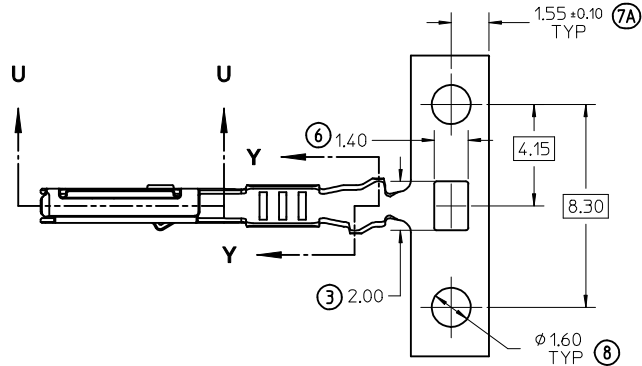
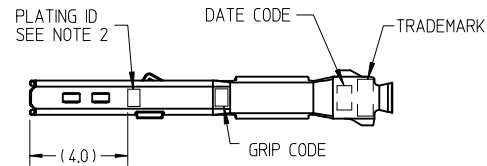
CREATE EC NO: UAU2013-0624 DRWN:PPHELPS 2012/10/24 CHKD: APPR: JNORTHRO 2012/11/26 REV 1	QUALITY SYMBOLS ▼=0 ▽=0	GENERAL TOLERANCES (UNLESS SPECIFIED)		DIMENSION STYLE	SCALE	DESIGN UNITS	THIRD ANGLE PROJECTION	
		mm	INCH	MM ONLY	1:15	METRIC		
		4 PLACES ± ---	± ---	DRAWN BY	DATE	TITLE		
		3 PLACES ± ---	± ---	PPHELPS	2012/10/24	CTX PACKAGING SPEC GEN. MKRT. PRODUCT CUSTOMER COPY		
2 PLACES ± ---	± ---	CHECKED BY	DATE	APPROVED BY				
1 PLACE ± ---	± ---			JNORTHRO	2012/11/26	MOLEX INCORPORATED		
ANGULAR ± 1 °		DRAFT WHERE APPLICABLE MUST REMAIN WITHIN DIMENSIONS		SEE TABLE		DOCUMENT NO. SD-31301-053		
				SIZE C	THIS DRAWING CONTAINS INFORMATION THAT IS PROPRIETARY TO MOLEX INCORPORATED AND SHOULD NOT BE USED WITHOUT WRITTEN PERMISSION			
						SHEET NO. 2 OF 2		



INSULATION GRIP



CONDUCTOR GRIP



SECTION U-U SCALE 10:1

PART NUMBERS		GRIP CODE	WIRE GAUGE			PLATING	DIM A +0.20	DIM B +0.30	DIM C +0.10	DIM D +0.20
D-WIND (LEFT PAYOFF)	B-WIND (RIGHT PAYOFF)		ISO mm ²	JASO mm ²	SAE gauge					
34803-0211	34803-0213	S	0.22-0.35	0.3	22	TIN	1.80	2.40	0.90	1.36
34803-0212	34803-0214	L	0.50-0.75	0.50-0.85	20	(Sn)	2.15	2.50	1.20	1.72

ISO VIEWS
NOT TO SCALE



NOTES: (UNLESS OTHERWISE SPECIFIED)

1. MATERIAL: COPPER ALLOY
2. PLATING MARK: TIN (Sn) - NO MARK
3. PACKAGING PER SD-31301-053
4. CRIMPING PER AS-502306-001
5. PROBING AT ANY LOCATION ON THE TERMINAL BEAM IS NOT PERMITTED

ENTER DESCRIPTION EC NO: UAU2013-0899 DRAWN BY: DR.MADHEMANNI 2012/12/11 CHKD: APPR: BMOSER 2012/12/12 REV: A3	QUALITY SYMBOLS ▽=0 ▽=0	GENERAL TOLERANCES (UNLESS SPECIFIED)	DIMENSION STYLE MM ONLY	SCALE 5:1	DESIGN UNITS METRIC	THIRD ANGLE PROJECTION																		
		<table border="1"> <thead> <tr> <th></th> <th>mm</th> <th>INCH</th> </tr> </thead> <tbody> <tr> <td>4 PLACES</td> <td>± ---</td> <td>± ---</td> </tr> <tr> <td>3 PLACES</td> <td>± 0.08</td> <td>± ---</td> </tr> <tr> <td>2 PLACES</td> <td>± 0.08</td> <td>± ---</td> </tr> <tr> <td>1 PLACE</td> <td>± 0.08</td> <td>± ---</td> </tr> <tr> <td colspan="3">ANGULAR ± 1 °</td> </tr> </tbody> </table>		mm	INCH	4 PLACES	± ---	± ---	3 PLACES	± 0.08	± ---	2 PLACES	± 0.08	± ---	1 PLACE	± 0.08	± ---	ANGULAR ± 1 °			DRAWN BY: K.FERGUSON DATE: 1-15-10	TITLE: CTX64 FEMALE TERMINAL		
		mm	INCH																					
	4 PLACES	± ---	± ---																					
3 PLACES	± 0.08	± ---																						
2 PLACES	± 0.08	± ---																						
1 PLACE	± 0.08	± ---																						
ANGULAR ± 1 °																								
		CHECKED BY: D.HEMNANI DATE: 1-15-10	APPROVED BY: B.MOSER DATE: 1-15-10	Molex MOLEX INCORPORATED																				
			MATERIAL NO.: SEE TABLE	DOCUMENT NO.: SD-34803-001	SHEET NO.: 1 OF 1																			

THIS DRAWING CONTAINS INFORMATION THAT IS PROPRIETARY TO MOLEX INCORPORATED AND SHOULD NOT BE USED WITHOUT WRITTEN PERMISSION