

# Customer Information Sheet

DRAWING No.: M80-826XXXX

SHEET 2 OF 2

IF IN DOUBT - ASK

©

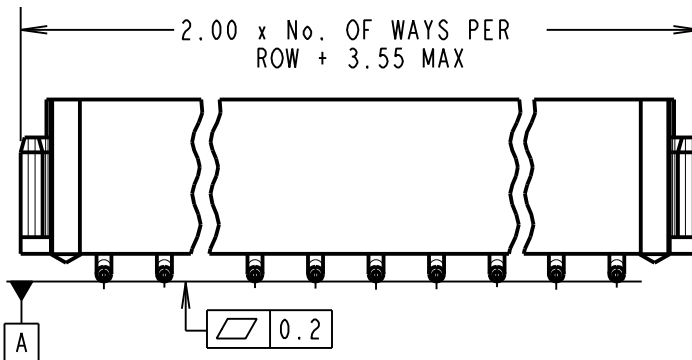
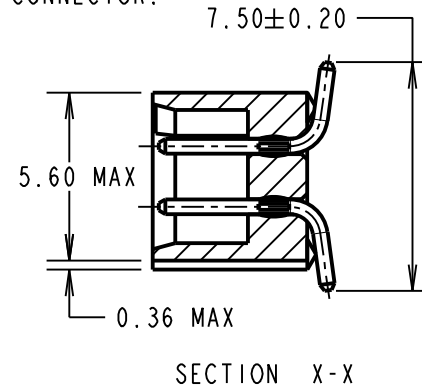
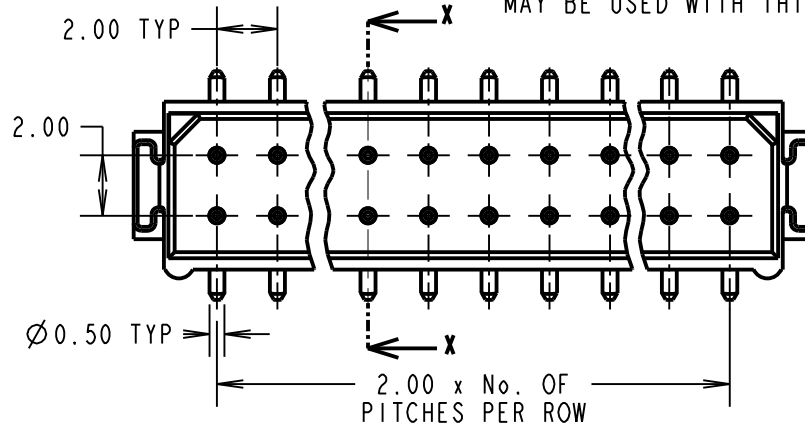
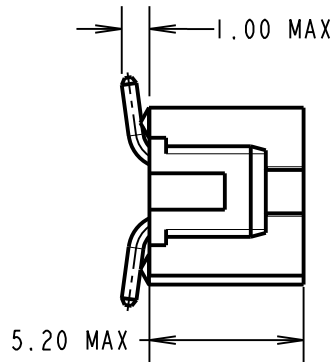
NOT TO SCALE

THIRD ANGLE PROJECTION

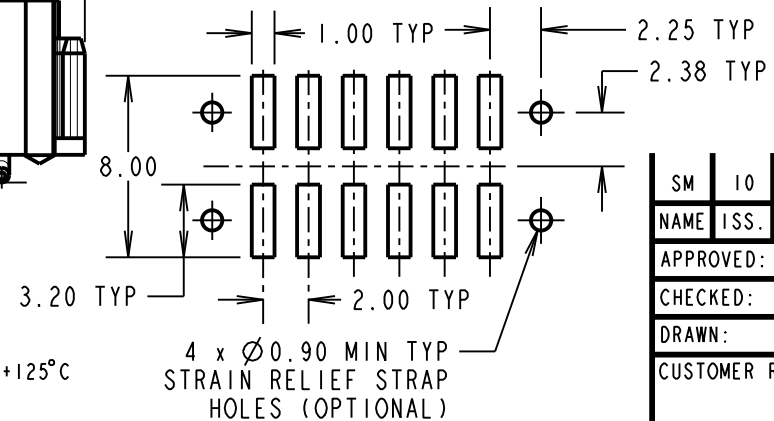
ALL DIMENSIONS IN mm

**NOTES:**

1. 2-OFF STRAIN RELIEF STRAPS M80-0030006 MAY BE USED WITH THIS CONNECTOR.



**RECOMMENDED PCB LAYOUT**



**ORDER CODE:**

**M80-826XXXX**

TOTAL No. OF WAYS  
04, 06, 08, 10, 12  
14, 16, 18, 20, 26  
34, 44

**FINISH**

22 - SELECTIVE GOLD  
+ TIN/LEAD  
42 - SELECTIVE GOLD  
+ 100% TIN  
45 - GOLD

**SPECIFICATIONS:**

**MATERIAL:**  
MOULDING = POLYAMIDE 46 UL94V-0, BLACK  
CONTACTS = PHOSPHOR BRONZE

**FINISH:**  
**CONTACTS:**  
22 = 0.75µ GOLD ON CONTACT AREA,  
3.0µ 90/10 TIN/LEAD ON TAILS  
42 = 0.75µ GOLD ON CONTACT AREA,  
3.0µ 100% TIN ON TAILS  
45 = 0.75µ GOLD ALL OVER

**ELECTRICAL:**  
CURRENT RATING AT 25°C = 3.0A MAX  
CURRENT RATING AT 85°C = 2.2A MAX  
WORKING VOLTAGE = 120V AC/DC  
VOLTAGE PROOF = 360V AC/DC  
CONTACT RESISTANCE (INITIAL) = 20 mΩ MAX  
CONTACT RESISTANCE (AFTER CONDITIONING) = 25 mΩ MAX  
INSULATION RESISTANCE (INITIAL) = 1,000 MΩ MIN  
INSULATION RESISTANCE (AFTER CONDITIONING) = 100 MΩ MIN

**MECHANICAL:**  
DURABILITY = 500 OPERATIONS  
**ENVIRONMENTAL:**  
TEMPERATURE RANGE = -55°C TO +125°C  
**PACKING:**  
TUBE  
FOR COMPLETE SPECIFICATION, SEE COMPONENT SPECIFICATION C005XX (LATEST ISSUE)

SM	10	08.06.11	10832
NAME	ISS.	DATE	C/NOTE
APPROVED: S. MCCULLAGH			
CHECKED: M. G. PLESTED			
DRAWN: I. SANDY			
CUSTOMER REF.:			
ASSEMBLY DRG:			

**HARWIN**

HARWIN USA TEL: 603 893 5376 FAX: 603 893 5396 mis@harwin.com	HARWIN Europe (UK) TEL: 023 9231 4545 FAX: 023 9231 4590 mis@harwin.co.uk	HARWIN Asia TEL: +65 6 779 4909 FAX: +65 6 779 3868 mis@harwin.com.sg
--	--	--

THIS DRAWING AND ANY INFORMATION OR DESCRIPTIVE MATTER SET OUT HEREON ARE CONFIDENTIAL AND COPYRIGHT PROPERTY OF THE HARWIN GROUP AND MUST NOT BE DISCLOSED, LOANED, COPIED OR USED FOR MANUFACTURING, TENDERING OR FOR ANY OTHER PURPOSE WITHOUT THEIR WRITTEN PERMISSION.

**TOLERANCES**  
X. = ±1mm  
X.X = ±0.25mm  
X.XX = ±0.10mm  
X.XXX = ±0.01mm  
ANGLES = ±5°  
UNLESS STATED

**MATERIAL:**  
SEE ABOVE  
**FINISH:** SEE ABOVE  
**S/AREA:** mm<sup>2</sup>

**TITLE:** DATAMATE 2mm PITCH VERTICAL SMT DIL PLUG ASSEMBLY - UNLATCHED  
**DRAWING NUMBER:** M80-826XXXX

SHT 2 OF 2