

THIS DRAWING IS UNPUBLISHED.

RELEASED FOR PUBLICATION NOV .2003.

© COPYRIGHT 2003 By -

ALL RIGHTS RESERVED.

LOC	DIST	REVISIONS					
E	B	P	LTR	DESCRIPTION	DATE	DWN	APVD
		D		ECO-13-015056	24SPE2013	RZ	MY

1 SINGLE PACK: 1PC IN A BAG WITH LABEL; 100 BAGS IN AN INNER BOX WITH LABEL; 20 INNER BOXES IN A CARTON WITH LABEL

2 100 PCS IN A TRAY WITH LABEL; 25 TRAYS IN A CARTON WITH LABEL

3 Au PLATING

4 FLASH Au PLATING

ELECTRICAL CHARACTERISTICS

FREQUENCY RANGE: DC - 6GHz
 NOMINAL IMPEDANCE: 50 Ohm
 INSULATION RESISTANCE: 1000MOhm
 WORKING VOLTAGE: 335V RMS at Sea Level
 DIELECTRIC WITHSTAND VOLTAGE: 500V RMS Max
 CONTACT RESISTANCE:
 CENTRE CONTACT: 5.00 MOhm Max
 OUTER CONTACT: 2.50 MOhm Max

MECHANICAL CHARACTERISTICS

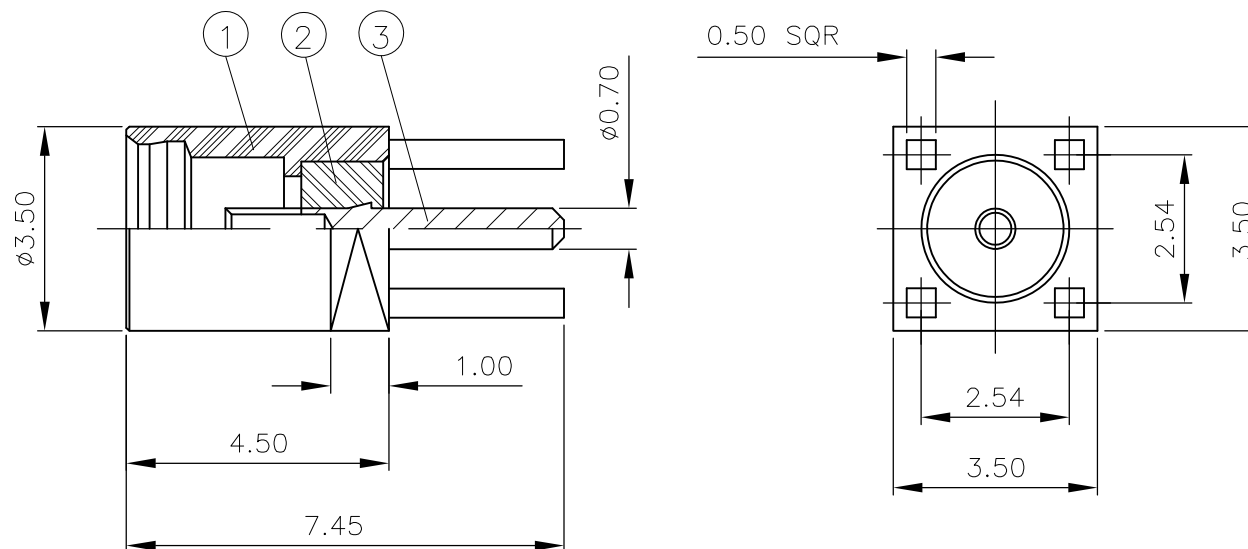
DURABILITY: 500 Cycles Min

ENVIRONMENTAL CHARACTERISTICS

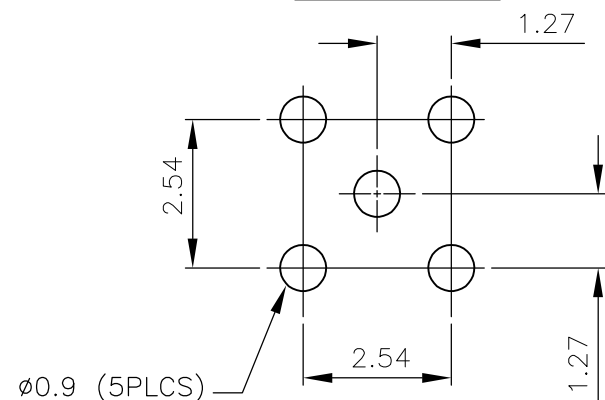
OPERATING TEMPERATURE: -65°C to +165°C

5 FOR TECHNICAL DATA REFER TO YOUR LOCAL TE CONNECTIVITY SALES OFFICE

6 ALL DIMENSIONS ARE NOMINAL FOR REFERENCE ONLY UNLESS OTHERWISE STATED



RECOMMENDED PCB LAYOUT



		1	1	BERYLLIUM COPPER	3	SOCKET	3
		1	1	PTFE	2	INSULATOR	2
		1	1	BRASS	1	BODY	1
		6--0	1--0	MATERIAL		DESCRIPTION	ITEM
		2	1				
QUANTITY PER ASSY				PARTS LIST			

THIS DRAWING IS A CONTROLLED DOCUMENT.		DWN J.SANDWELL 12NOV03	TE Connectivity					
DIMENSIONS: mm		CHK S.PARLOW 12NOV03						
TOLERANCES UNLESS OTHERWISE SPECIFIED:		APVD F.WHEELER-KING 12NOV03	NAME MMCX STRAIGHT PCB MOUNT SOCKET RECEPTACLE 50 OHMS					
0 PLC ± - 1 PLC ± 0.3 2 PLC ± 0.2 3 PLC ± 0.1 4 PLC ± - ANGLES ± -		PRODUCT SPEC -	APPLICATION SPEC -		SIZE	CAGE CODE	DRAWING NO	RESTRICTED TO
MATERIAL SEE TABLE		FINISH SEE TABLE	WEIGHT -		A3	00779	C-1634009	-
CUSTOMER DRAWING					SCALE	NTS	SHEET	1 OF 1
					REV	D		