

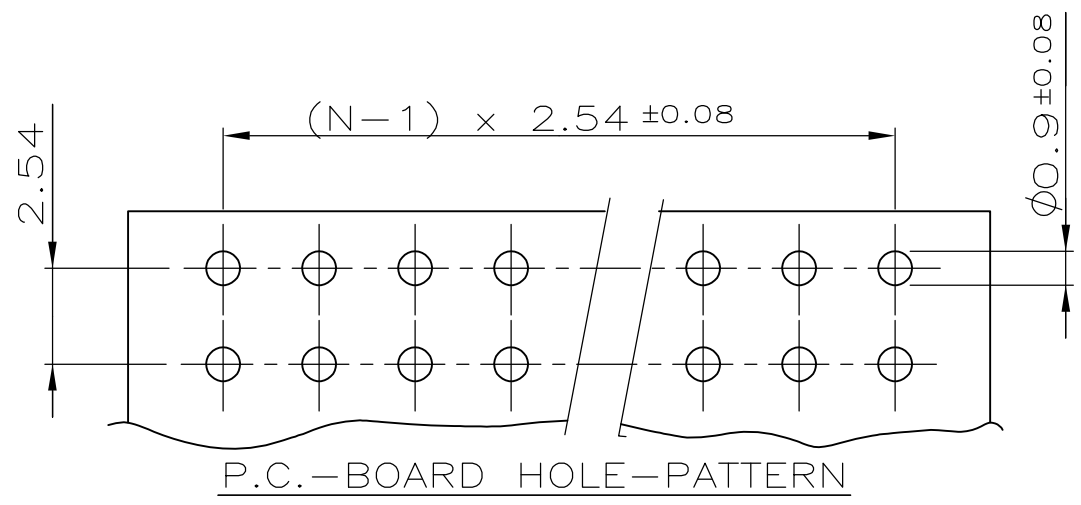
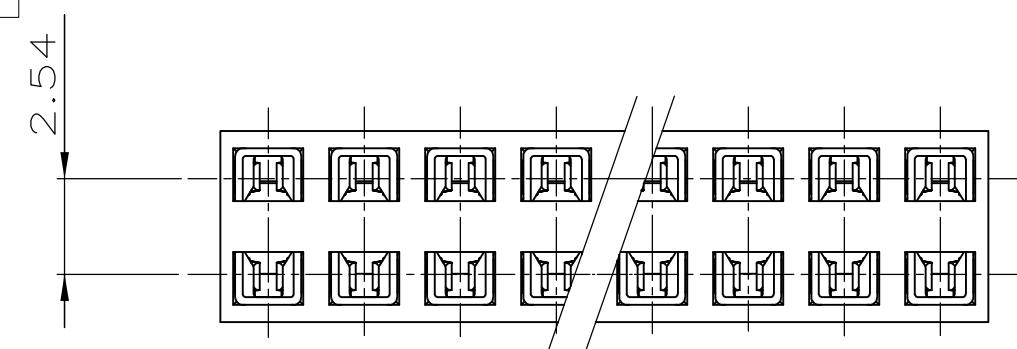
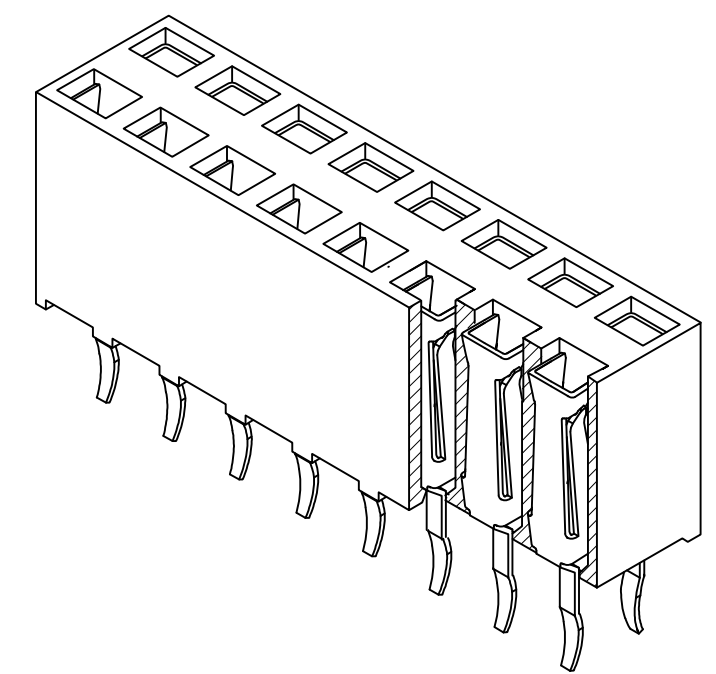
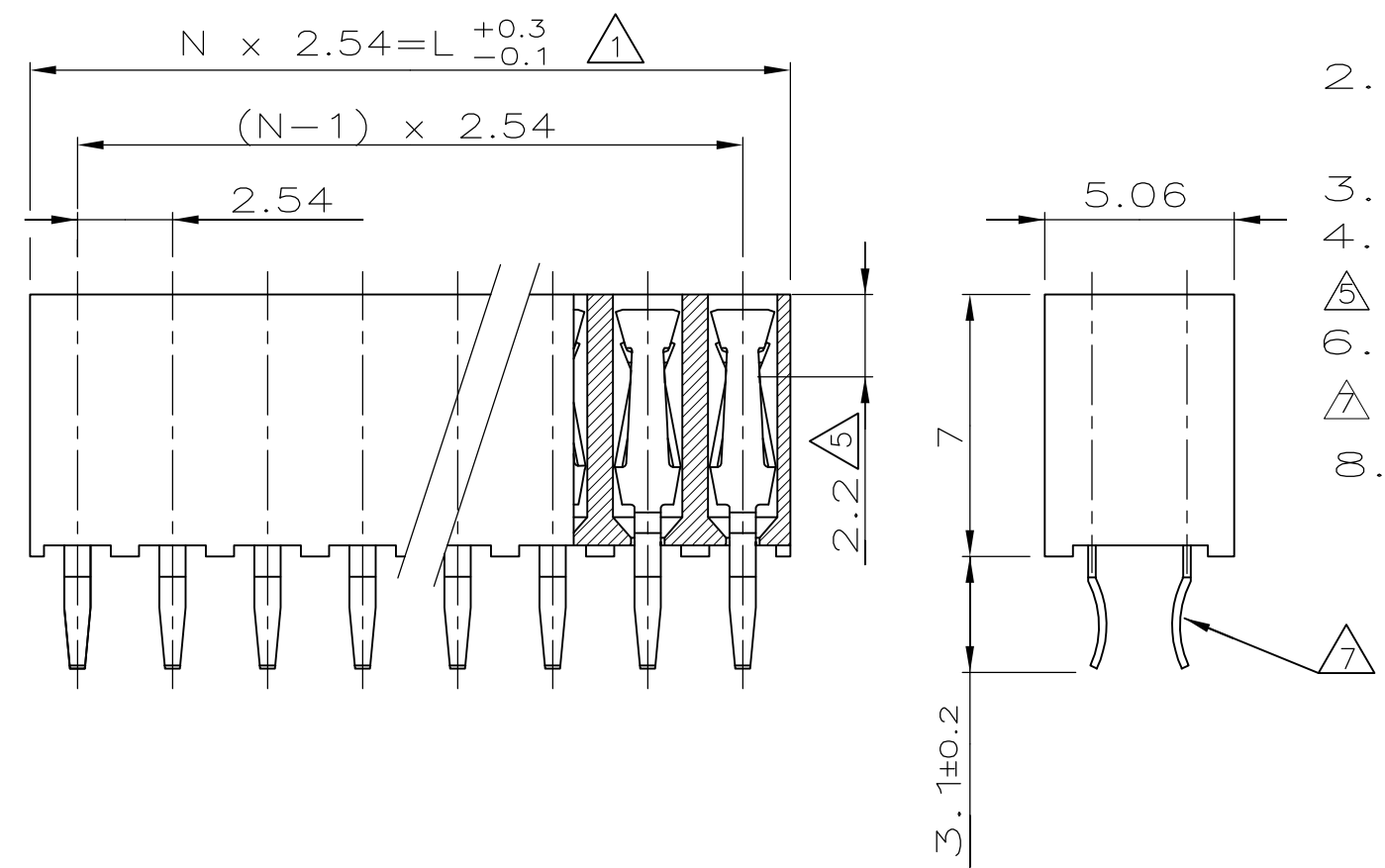
THIS DRAWING IS UNPUBLISHED. RELEASED FOR PUBLICATION
 © COPYRIGHT - By - ALL RIGHTS RESERVED.

LOC		DIST		REVISIONS			
P	LTR	DESCRIPTION		DATE	DWN	APVD	
	C	Hsg mat change to readily available PBT resin		03JAN2014	PS	JK	

POS. PER ROW 'N'	L	PART NUMBER	
-	-	-	-
2	5.08	215308-2	OBSOLETE
3	7.62	-3	OBSOLETE
4	10.16	-4	
5	12.70	-5	
6	15.24	-6	OBSOLETE
7	17.78	-7	
8	20.32	-8	
9	22.86	-9	
10	25.40	1-	-0
11	27.94	1-	-1
12	30.48	1-	-2
13	33.02	1-	-3
14	35.56	1-	-4
15	38.10	1-	-5
16	40.64	1-	-6
17	43.18	1-	-7
18	45.72	1-	-8
19	48.26	1-	-9
20	50.80	2-	-0
21	53.34	2-	-1
22	55.88	2-	-2
23	58.42	2-	-3
24	60.96	2-	-4
25	63.50	2-	-5
26	66.04	2-	-6
27	68.58	2-	-7
28	71.12	2-	-8
29	73.66	2-	-9
30	76.20	3-	-0
31	78.74	3-	-1
32	81.28	3-	-2
33	83.82	3-	-3
34	86.36	3-	-4
35	88.90	3-	-5
36	91.44	3- 215308	-6

NOTES:

- TO DETERMINE DIMENSIONS TAKE $2 \times N = \text{NR. OF POS.}$. FOR EXAMPLE: $2 \times 10 \text{ POS.} = N \times 2,54 = 25,4 \text{ mm}$. FOR ORDERNR. USE BASIC NR. + NR. OF POS. FOR EXAMPLE: $2 \times 2 \text{ POS.} = 215\ 308-2$ (SHORTEST VERSION) $2 \times 36 \text{ POS.} = 3-215\ 308-6$ (LONGEST VERSION)
- HOUSING MATERIAL: GREEN GLASS FILLED PBT, UL 94V-0
CONTACT MATERIAL: PHOSPHOR BRONZE.
- PLATING: 2.5 - 4.0µm TIN OVER 0.5µm NICKEL
- MATES WITH 0,63 SQUARE/ROUND MODU POSTS.
- CONTACT-POINT.
- RECOMMENDED PC-BOARD-THICKNESS: 1.6 mm
- PC-BOARD RETENTION FEATURE.
- HV100 CONNECTOR PACKED IN ANTI-STATIC BLISTER TRAY.



THIS DRAWING IS A CONTROLLED DOCUMENT.		DWN	24.02.89		TE Connectivity		
		A.HO					
		CHK	24.02.89		NAME		
		M.SCHAARSCHMIDT					
		APVD			HV 100 VERTICAL CONNECTOR DUAL ROW, 7,0mm HEIGHT, TOP ENTRY, TIN		
		G.FELDMEIER					
		PRODUCT SPEC	108-19056		SIZE		
		APPLICATION SPEC					
		WEIGHT	-		CAGE CODE	DRAWING NO	RESTRICTED TO
MATERIAL		FINISH	SEE NOTE 3		A3	00779	C-215308
SEE NOTE 2					SCALE	SHEET	REV
					5:1	1 OF 1	C