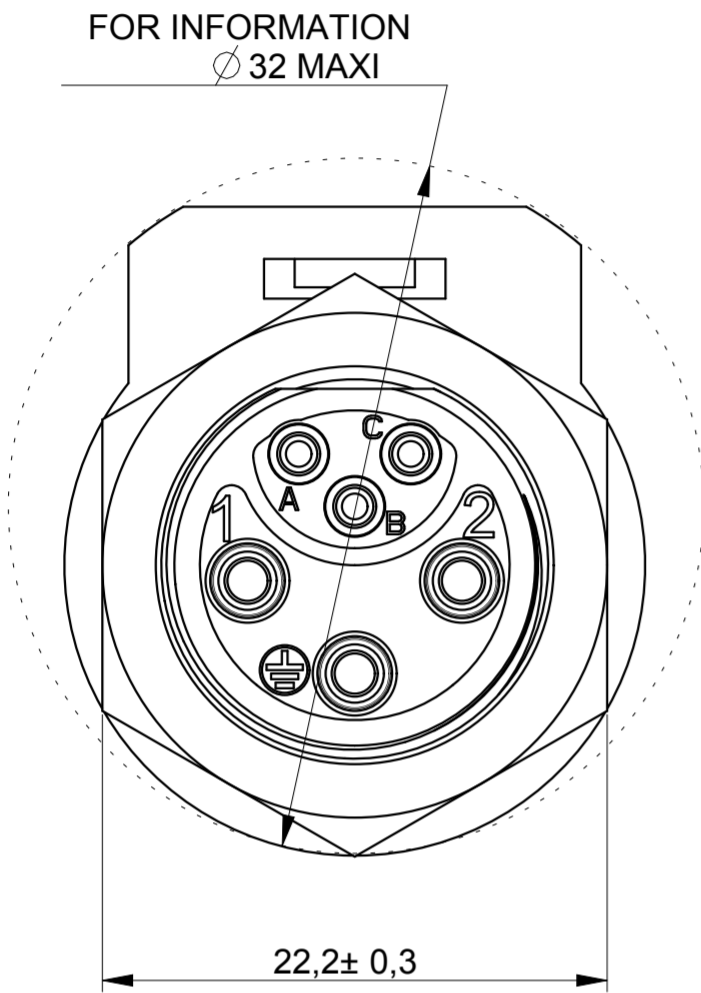
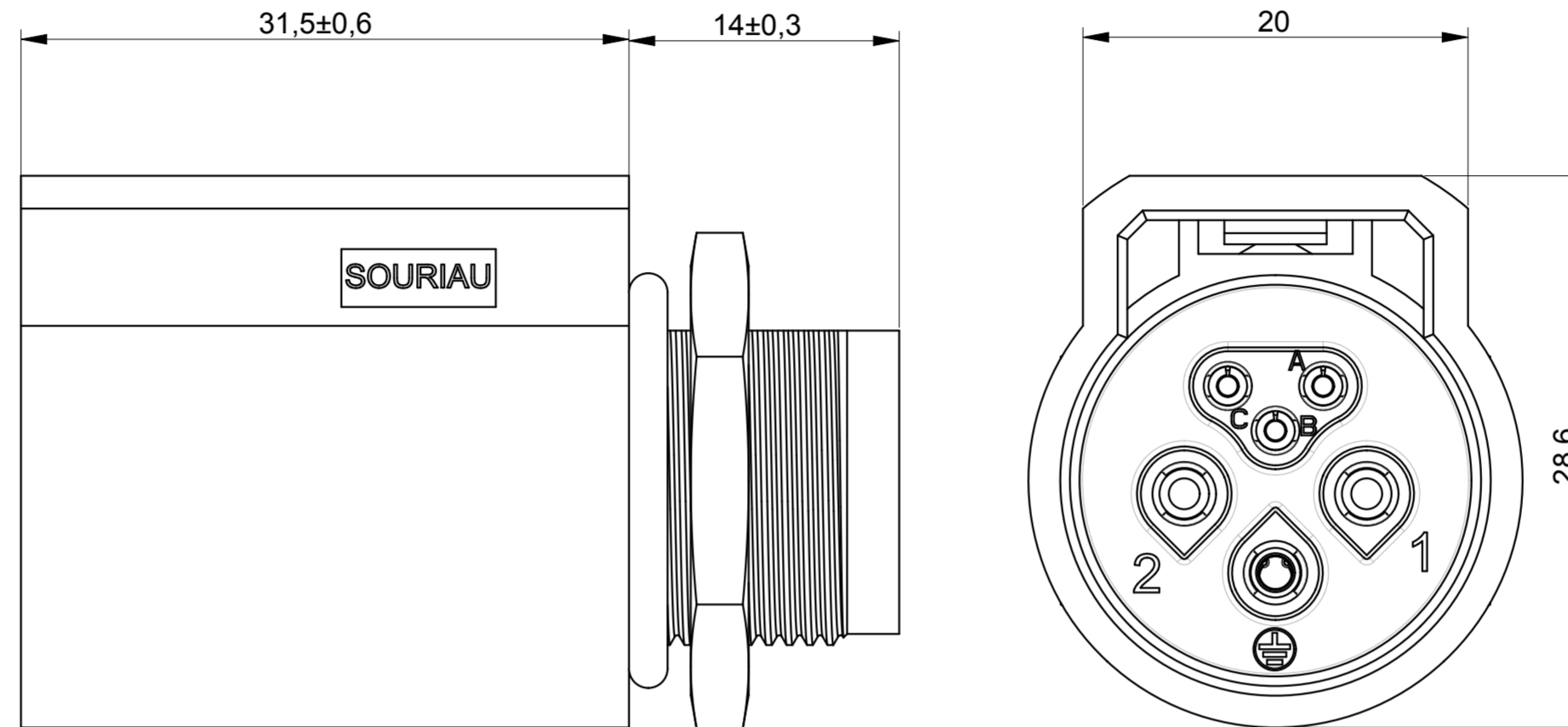


a:1:RL

WIRING FACE



MATING FACE



NOTES

MATERIALS
HOUSING
O'RING
NUT

SEE TABLE
NEOPREN
ALUMINIUM ALLOY BLACK ANODIZED

PERFORMANCES CHARACTERISTICS

MECHANICAL	TEMPERATURE CLASS	IEC61984/UL1977	-40°C TO 105°C
DURABILITY	IEC61984		500 MATE / UNMATE CYCLES
SEALING IN MATED CONDITIONS	IEC60529		IP68 1BAR DURING 1WEEK
	DIN40050		IP69K
SEALING IN UNMATED CONDITIONS	IEC60529		IP67 WITH CAPS
POLLUTION DEGREE	IEC61984		4
CORROSION SALT SPRAY			MIN 1000H
FLAMMABILITY	UL94		MATERIAL RATING: 5VA
OUTDOOR SUITABILITY (UV RESIST)	UL746C		MATERIAL RATING: (f1)
SCOOP PROOF			

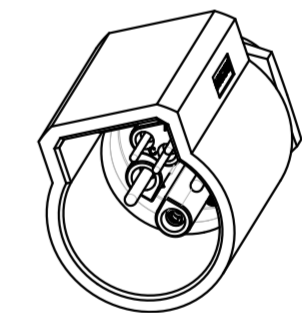
ELECTRICAL

TOUCH PROOF	IEC60529	IP2X
POWER AND GROUND LINES: NOMINAL CURRENT	UL1977	16A WITH AWG14 WIRE / 13A WITH AWG16 WIRE
NOMINAL CURRENT	IEC61984	16A WITH 2.5MM² WIRE / 13A WITH 1.5MM² WIRE AT 60°C
NOMINAL VOLTAGE	UL1977	600V
NOMINAL VOLTAGE	IEC61984	250VAC 4KV 4 FOR CLASS II
	IEC61984	500VAC 6KV 4 FOR CLASS I
SIGNAL CONTAC (a,b,c) LINES: NOMINAL VOLTAGE	IEC61984	48V AC
NOMINAL CURRENT	IEC61984	5A

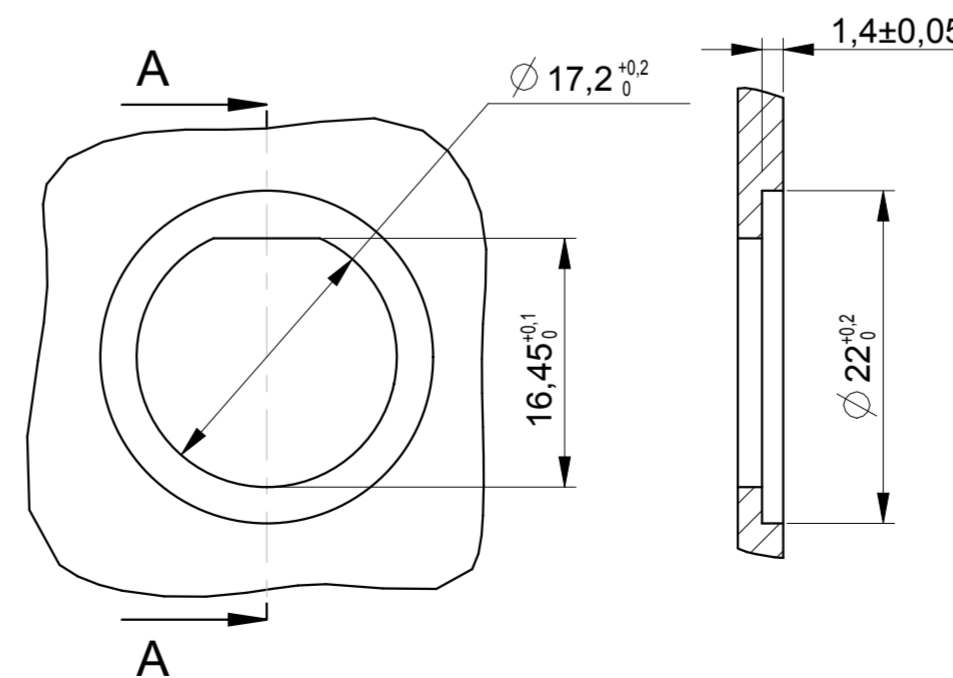
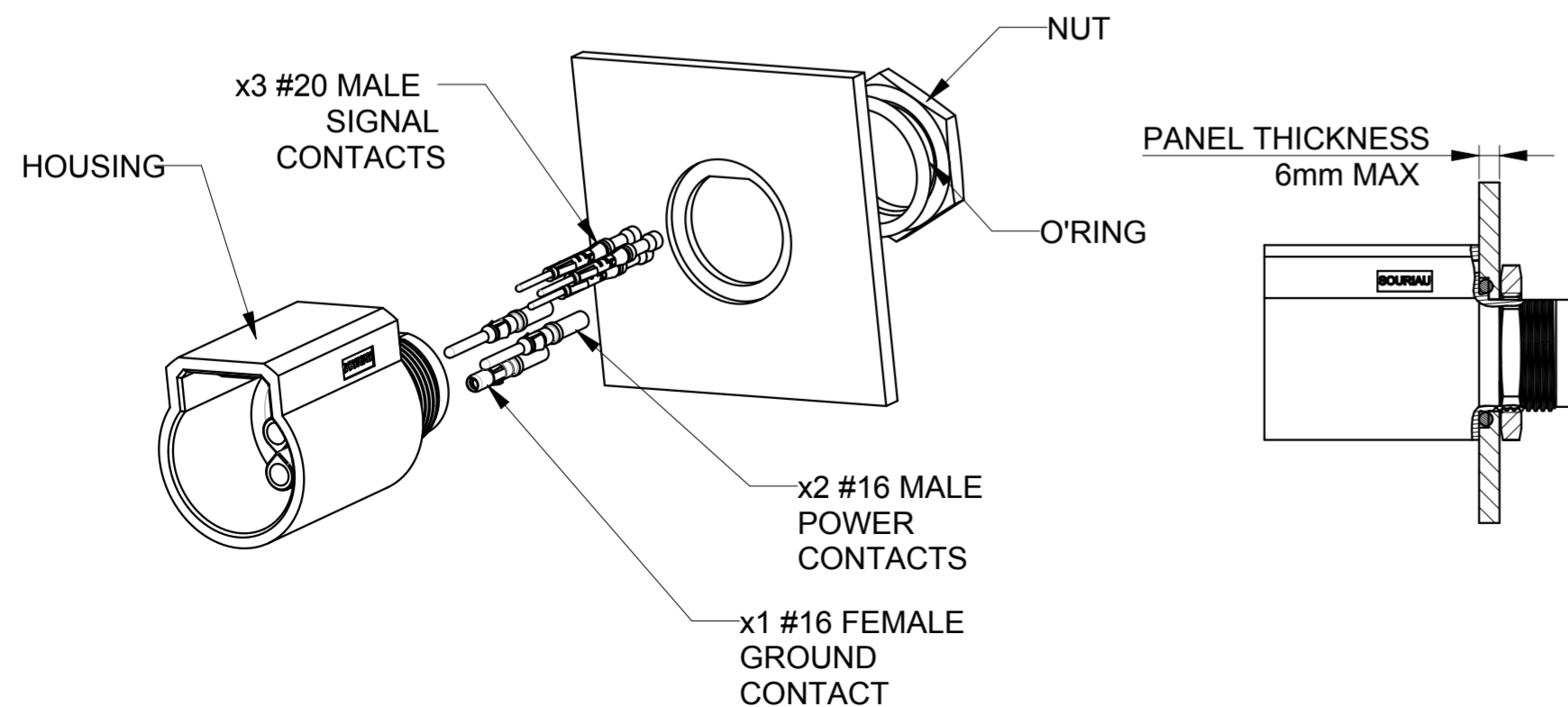
ROHS COMPLIANT

- COUNTERPART REFERENCE UTL PLUG
- CONNECTORS ARE DELIVERED AS PRE-ASSEMBLED KIT
- CONNECTOR BLOCKS ACCEPTS TRIM TRIO CONTACTS #16 AND #20, R*M* OR S*M* TYPES
- CONTACTS TO BE ORDERED SEPARATELY.
- WARNING: PHASE CONTACTS AND SIGNAL CONTACT ARE MALE VERSION AND GROUND CONTACT IS FEMALE VERSION
- UNIT IN MM

P/N	HOUSING' S MATERIAL
UTL7102G1W3P	PA GF REINFORCED BLACK COLOR
UTL7102G1W3P03	PA GF REINFORCED LIGHT GREY COLOR



P/N : SEE TABLE



a	23/07/13	New drawing	
ISS	DATE	Latest modification - by:	MOD N°
	Designed by: R.M.	Date: 23/07/13	CUSTOMER DRAWING
TITLE	MALE RECEPTACLE SIZE 10 LAYOUT 6 CONTACTS UTL CONNECTOR		
Scale	1/1	General linear Tolerances: ± 0,2	NPRDS / PROJECT UTL
SOURIAU WWW.SOURIAU.COM		This document is the property of SOURIAU It must not be reproduced or communicated without permission	
FORMAT	SOURIAU DRG N° UTL1-0047A-C01		SHEET 1 / 1