

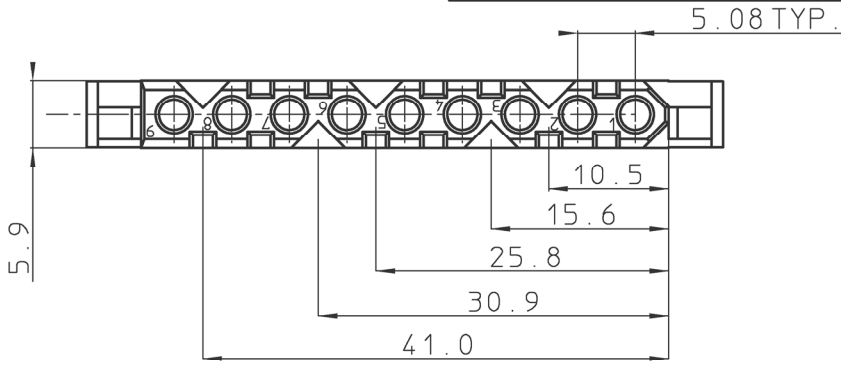
DIT IS ONZE EIGENDOM EN MAG NOCH NAGEMAAKT, HERDRUKT, OVERGEMAAKT AAN DERDEN, NOCH VOOR FABRIKATIE GEBRUIKT WORDEN, ZONDER ONZE SCHRIFTELIJKE TOELATING. BIJ NIET GEBRUIK IS DE TERUGZENDING VERPLICHT.

THIS IS OUR EXCLUSIVE PROPERTY. IT IS NOT TO BE COPIED, REPRINTED OR DISCLOSED TO A THIRD PARTY, NOR USED FOR MANUFACTURING WITHOUT OUR WRITTEN CONSENT, AND HAS TO BE RETURNED TO JS. IN CASE OF NO USAGE

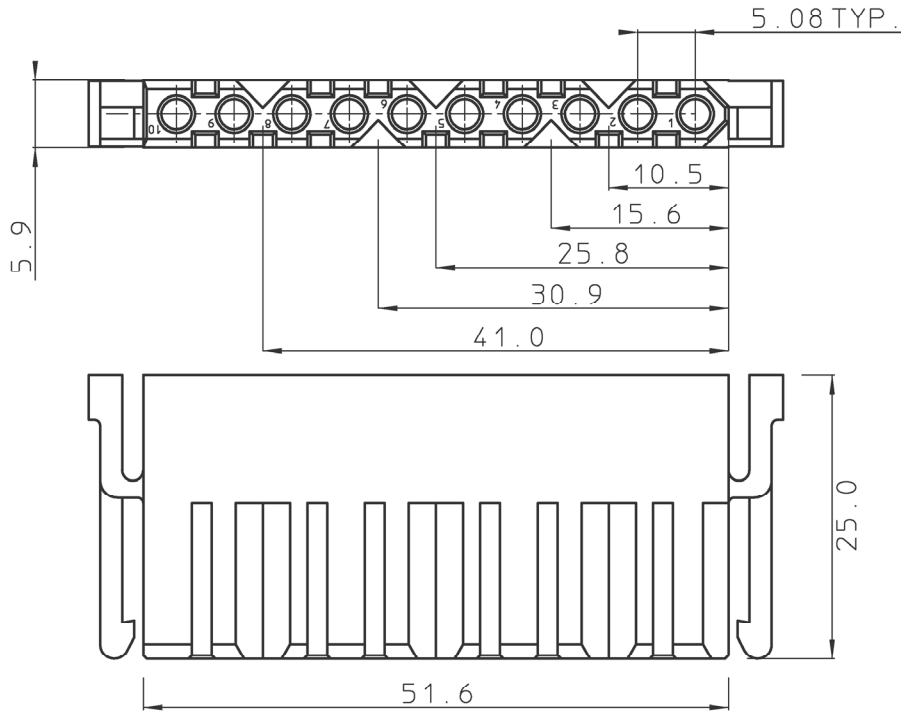
BS,A , 200405,002,01

NOTES : SEE BS,A , 200405,001,00

| REV. | DATE | DESCRIPTION | BY | C'K'D' |
|------|----------|-----------------|----------|--------|
| 01 | 12-02-96 | CONVERSION ME10 | NIETVELT | |
| | | | | |
| | | | | |


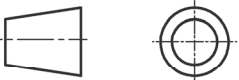


SMS9P3



SMS10P3

| | | | | | | | | | | | | | | | | | | | | | | | | | | | | | | | |
|----------|----|----|----|----|----|----|----|----|----|----|----|----|----|----|----|----|----|----|----|----|----|----|----|----|----|----|----|----|----|----|----|
| GEN. ST. | 01 | 02 | 03 | 04 | 05 | 06 | 07 | 08 | 0D | 50 | 60 | 70 | 80 | 90 | | | | | | | | | | | | | | | | | |
| INT. ST. | 10 | 11 | 12 | 13 | 14 | 18 | 20 | 31 | 32 | 33 | 34 | 38 | 39 | 40 | 42 | 43 | 44 | 45 | 46 | 48 | 56 | 70 | 72 | 73 | 75 | 76 | 81 | 82 | 83 | 84 | 88 |

| | | | | | | |
|--|---------------|-------------|--------------|--|--------------------|-----|
| 1DEC ±0,2 1DEC 2DEC ±0,1 2DEC ANGLES ±1° HOEKEN | APPR. | DATE | SIGN. | QIKMATE IN-LINE PINHEADER PLUG | | |
| | DRAFT | 30.06.86 | E. CREELLE | CAT. No. SMS-P3 | | |
| WE RESERVE THE RIGHT TO CHANGE DIMENSIONS OR REQUIREMENTS WITHOUT PRIOR NOTICE. | CHECKED | | |  SOURIAU Connection Technology | SCALE | |
| | PROD. MGR. | | | | Route Nationale 23 | 3/2 |
| | PR. ENG. MGR. | | | | 72470 CHAMPAGNE | |
| ALL DIMENSIONS IN MM  ALLE AFMETINGEN IN MM | PR. MGT. MGR. | | | REFERENCES / REFERENTIES BS,A , 200405,002,01 DRAWING NR. CUSTOMER DRAWING | | |