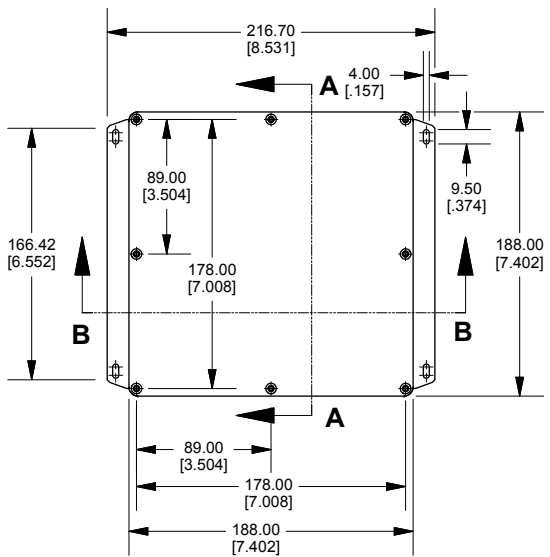
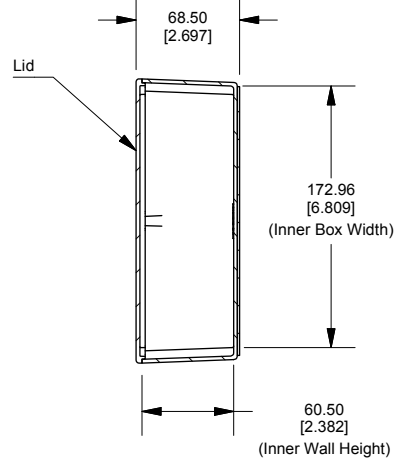


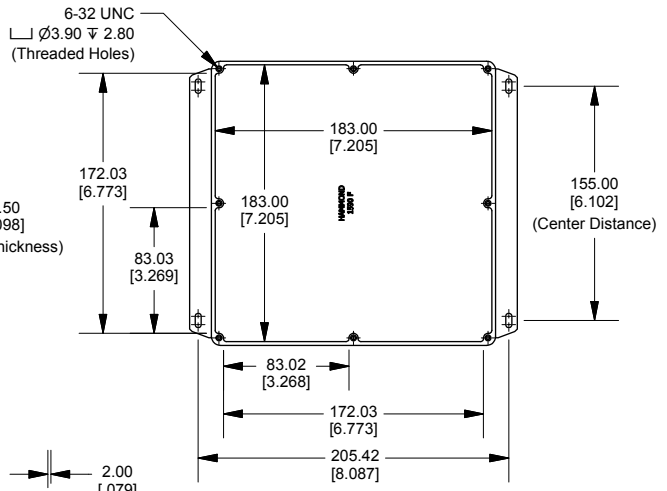
**Top View of Assembly**



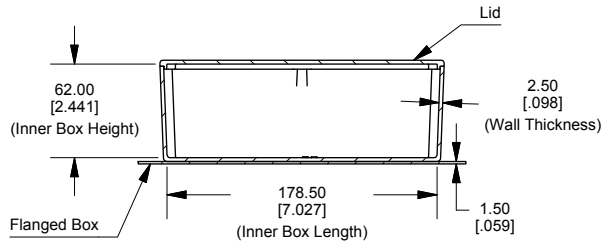
**SECTION A-A  
End View of Assembly**



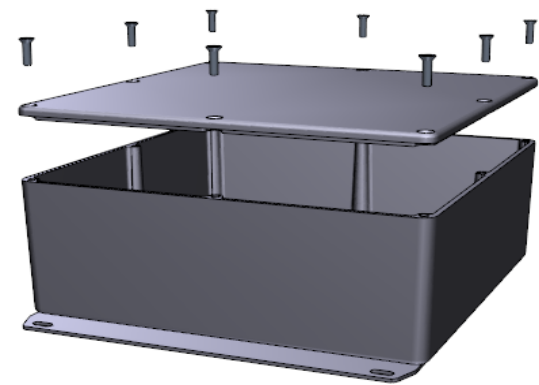
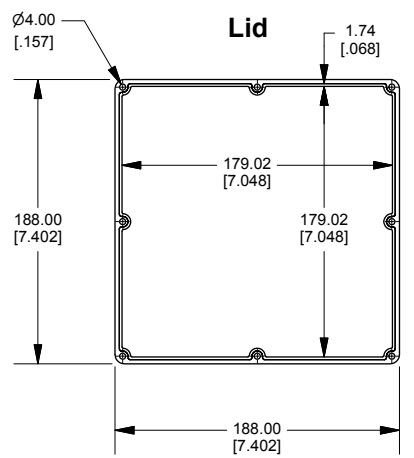
**Top View Looking Inside Box**



**SECTION B-B  
Side View of Assembly**



**Lid**



Enclosures can be Factory Modified ( Milling, Drilling, Printing etc.)  
Contact Factory [mjm@hammondmfg.com](mailto:mjm@hammondmfg.com) for quotes  
Solid models of this enclosure available in STEP or IGES.

**NOTE**

Purchased assembly includes box, lid and 8 cover screws.  
Box and lid are made from Diecast Aluminum Alloy.  
Silicone Gasket supplied with liquid resistant enclosure.  
Bottom Flange is Welded.

**PART NUMBERS**

<b>1590FF Enclosure</b>	
Natural Finish Enclosure	1590FF
Black Textured Enclosure	1590FFBK
<b>1590FF Liquid Resistant Enclosure (Silicone Gasket)</b>	
Natural Finish Enclosure	1590W FF
Black Textured Enclosure	1590W FFBK
<b>ACCESSORIES</b>	
<b>Recommended Torque: 75 ozf.in / 55 cN.m</b>	
<b>Liquid Resistant Cover Screws</b>	
Stainless Steel Cover Screws (Pkg 100) [6-32 x 1/2" With O-Ring]	1590W MS100
Black Stainless Steel Cover Screws (Pkg 100) [6-32 x 1/2" With O-Ring]	1590W MS100BK
<b>Standard Cover Screws</b>	
Plated Cover Screws (Pkg 100) [6-32 x 1/2"]	1590MS100
Black Cover Screws (Pkg 100) [6-32 x 1/2"]	1590MS100BK

**HAMMOND  
MANUFACTURING™**

**1590FF**

[www.hammondmfg.com](http://www.hammondmfg.com)

**Dimensions:**  
mm  
[inches]