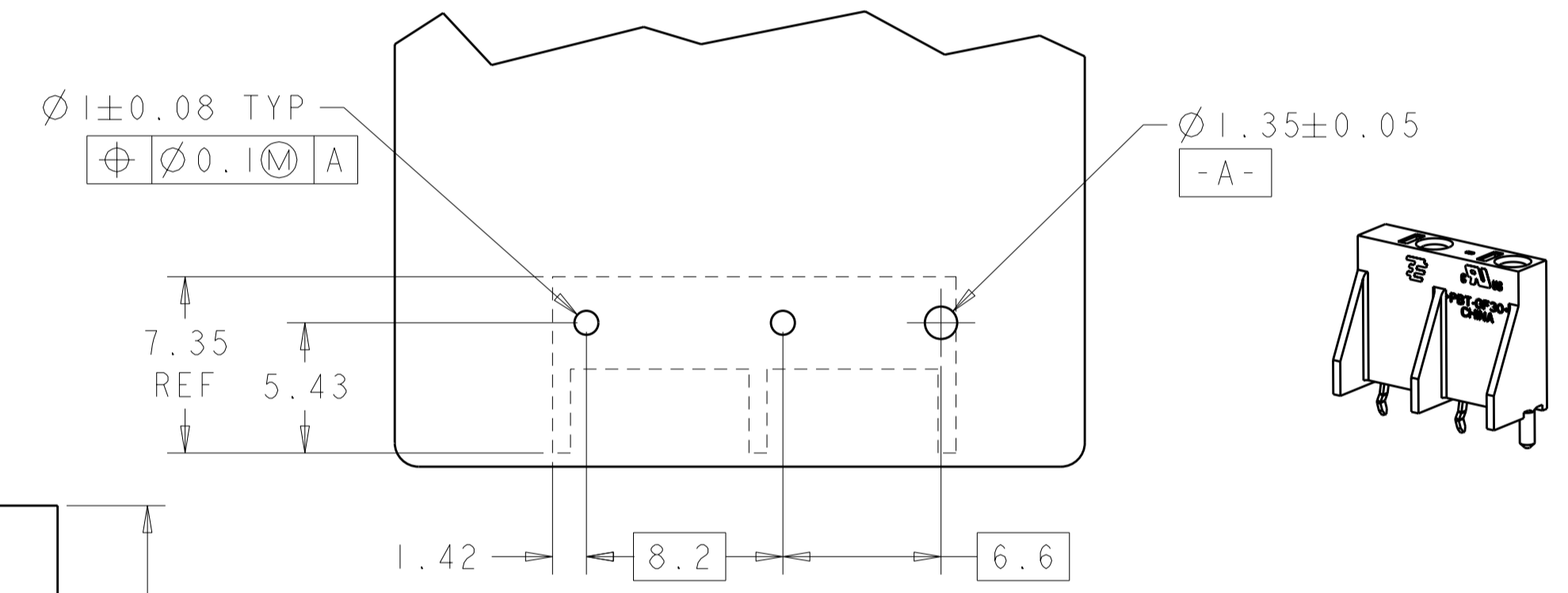
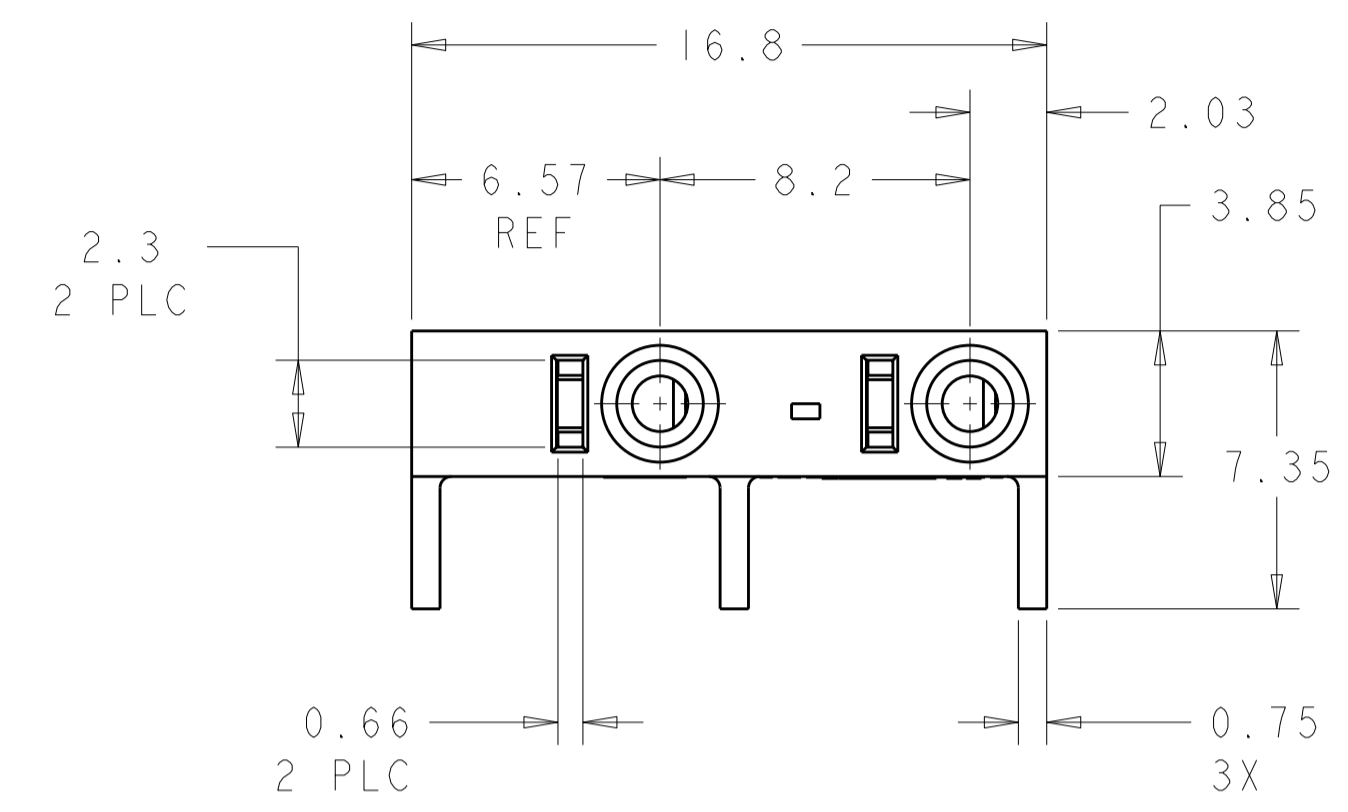


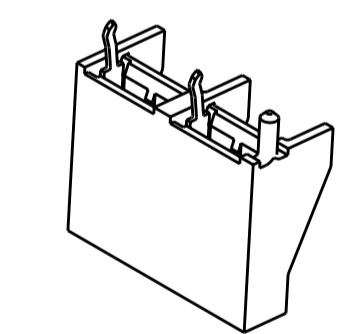
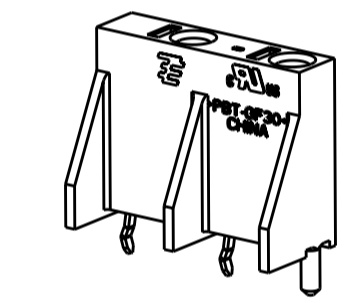
LOC		DIST		REVISIONS			
P	LTR	DESCRIPTION	DATE	DWN	APVD		
-	-	A4	REVISD PER ECR-09-013820	17JUL2009	HMR	DD	

NOTES:

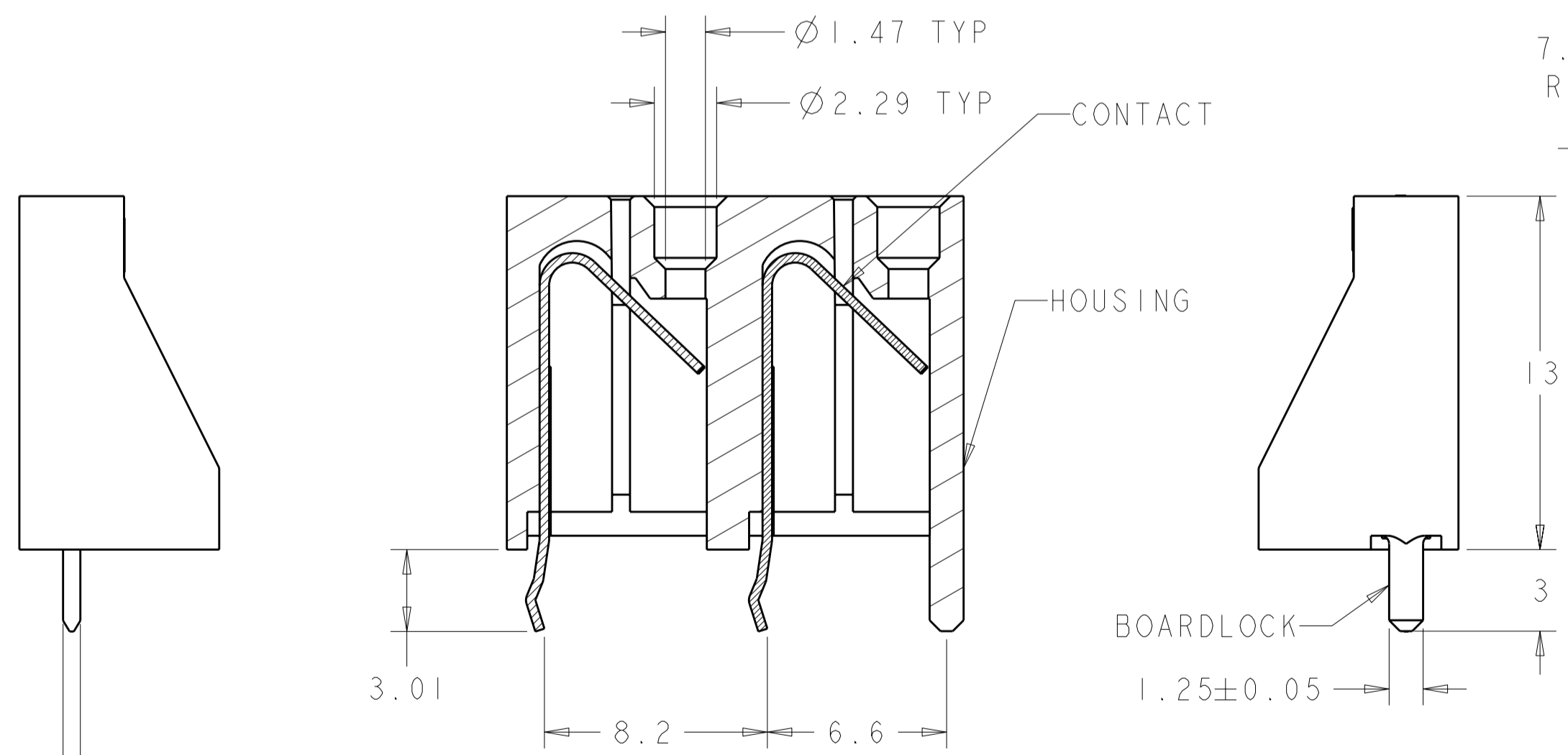
- MATERIAL:
 HOUSING - PBT, UL94-V0, COLOR BLACK(2008552-2 & -3) OR
 PBT, UL94-V0, COLOR GRAY(1-2008552-2)
 CONTACTS - PHOSPHOR BRONZE
 0.35 MM STOCK THICKNESS
 - PLATING:
 CONTACTS - PRE PLATED TIN OVER NICKEL
 - WIRE SIZE: 18 AWG SOLID
 2.2 MM MAX INSULATION DIAMETER
 9.5±1.0 MM INSULATION STRIP LENGTH
- △ SUPERSEDED BY P/N 1-2008552-2.



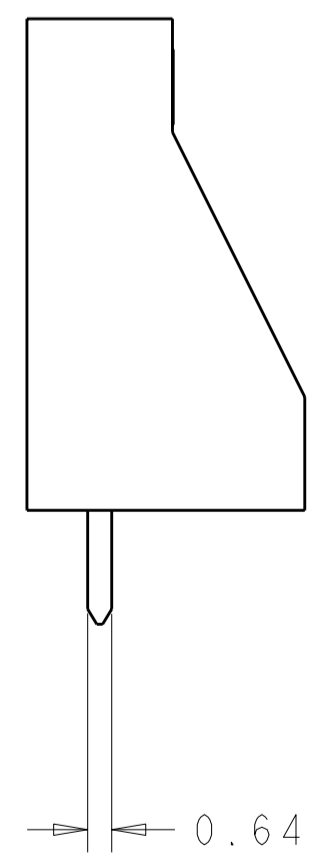
PCB LAYOUT
 VIEWED FROM CONNECTOR SIDE
 SCALE 4:1



SCALE 2:1



BOARDLOCK
 1.25±0.05



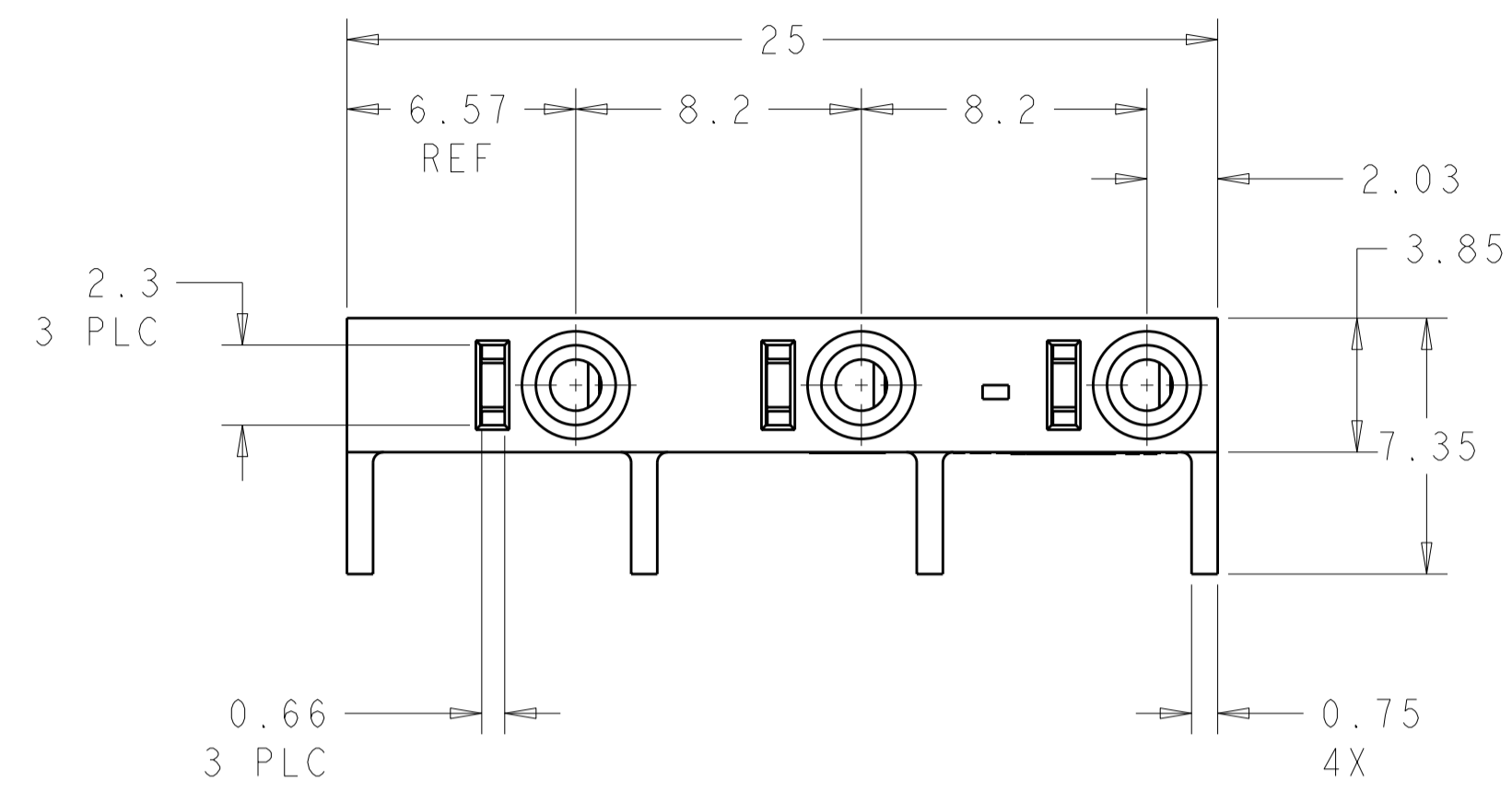
0.64
 WIDTH OF SOLDER TAIL
 BOARDLOCK REMOVED
 FROM VIEW FOR CLARITY

△ OBSOLETE	GRAY	2 POSITION CONNECTOR	1-2008552-2
	BLACK	2 POSITION CONNECTOR	2008552-2
	HOUSING COLOR	DESCRIPTION	PART NO

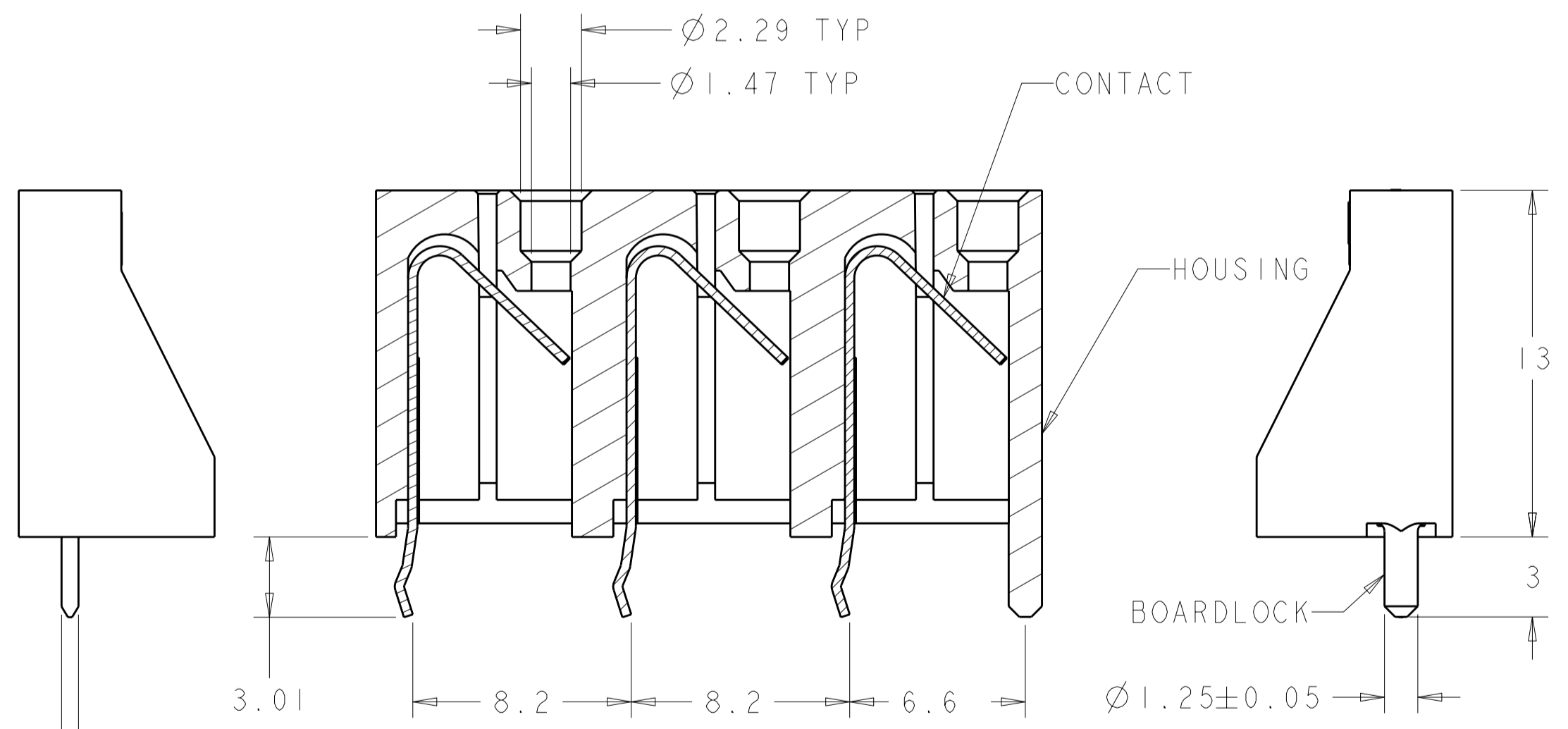
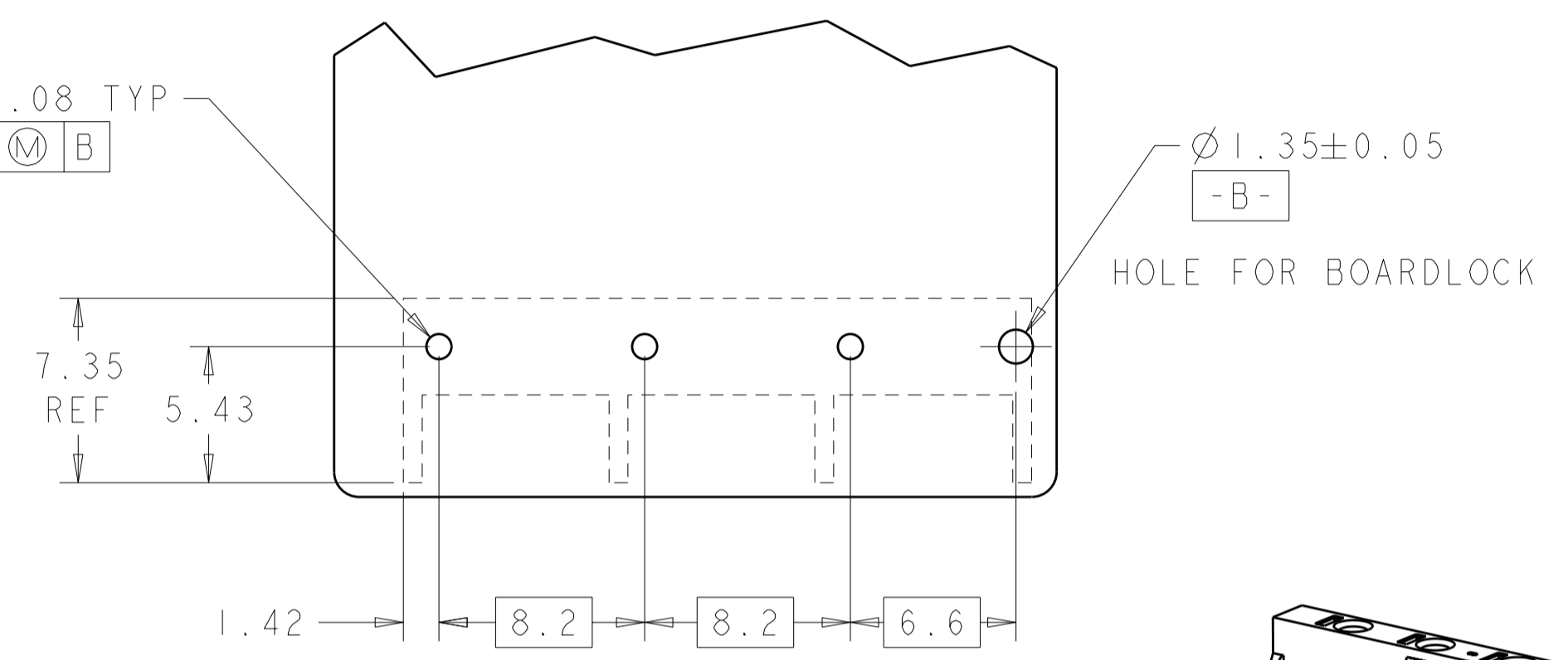
THIS DRAWING IS A CONTROLLED DOCUMENT FOR TYCO ELECTRONICS CORPORATION IT IS SUBJECT TO CHANGE AND THE CONTROLLING ENGINEERING ORGANIZATION SHOULD BE CONTACTED FOR THE LATEST REVISION.		DWN S FISHER 120CT2007 CHK S HORST 120CT2007 APVD - 120CT2007	Tyco Electronics Harrisburg, PA 17105-3608
DIMENSIONS: mm 	TOLERANCES UNLESS OTHERWISE SPECIFIED: 0 PLC ± 1 PLC ±0.5 2 PLC ±0.13 3 PLC ±0.013 4 PLC ±0.0001 ANGLES ± FINISH	PRODUCT SPEC APPLICATION SPEC WEIGHT	NAME ASSEMBLY, WIRE CONNECTOR IN-LINE VERTICAL SCREWLESS
MATERIAL		CUSTOMER DRAWING	SIZE CAGE CODE DRAWING NO RESTRICTED TO A200779 C-2008552 - SCALE 3:1 SHEET 1 OF 2 REV A4

THIS DRAWING IS UNPUBLISHED. RELEASED FOR PUBLICATION 20
 © COPYRIGHT 20 BY TYCO ELECTRONICS CORPORATION. ALL RIGHTS RESERVED.

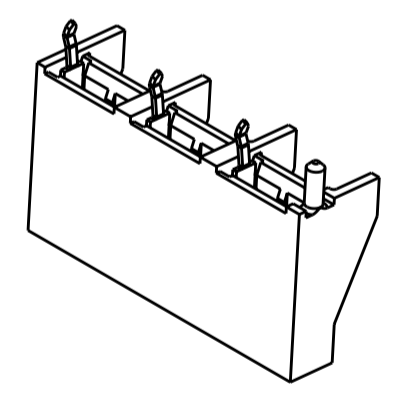
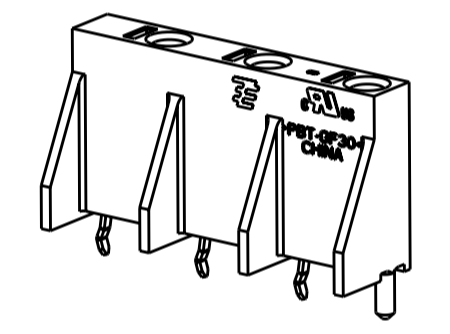
LOC		DIST		REVISIONS			
P	LTR	DESCRIPTION	DATE	DWN	APVD		
-	-	SEE SHEET 1	-	-	-		



$\varnothing 1 \pm 0.08$ TYP
 $\varnothing 0.1 \text{ M B}$



SCALE 4:1



SCALE 2:1

WIDTH OF SOLDER TAIL
 BOARDLOCK REMOVED
 FROM VIEW FOR CLARITY

SECTION Z-Z

THIS DRAWING IS A CONTROLLED DOCUMENT FOR TYCO ELECTRONICS CORPORATION. IT IS SUBJECT TO CHANGE AND THE CONTROLLING ENGINEERING ORGANIZATION SHOULD BE CONTACTED FOR THE LATEST REVISION.

DIMENSIONS:	TOLERANCES UNLESS OTHERWISE SPECIFIED:
mm	0 PLC ±
	1 PLC ±0.5
	2 PLC ±0.13
	3 PLC ±0.013
	4 PLC ±0.0001
	ANGLES ±
MATERIAL	FINISH

3 POSITION CONNECTOR		2008552-3	
DESCRIPTION		PART NO	
DWN	S. FISHER	12OCT2007	Tyco Electronics Harrisburg, PA 17105-3608
CHK	S. HORST	12OCT2007	
APVD	-	12OCT2007	
PRODUCT SPEC		NAME	
APPLICATION SPEC		ASSEMBLY, WIRE CONNECTOR IN-LINE VERTICAL SCREWLESS	
SIZE	CAGE CODE	DRAWING NO	RESTRICTED TO
A2	00779	C-2008552	-
CUSTOMER DRAWING		SCALE 3:1	SHEET 2 OF 2 REV A4