

MATERIALS AND FINISHES

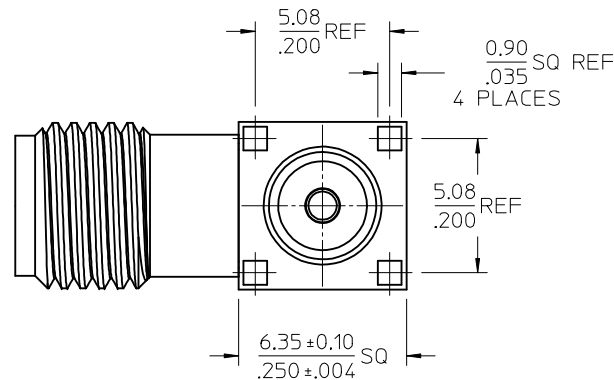
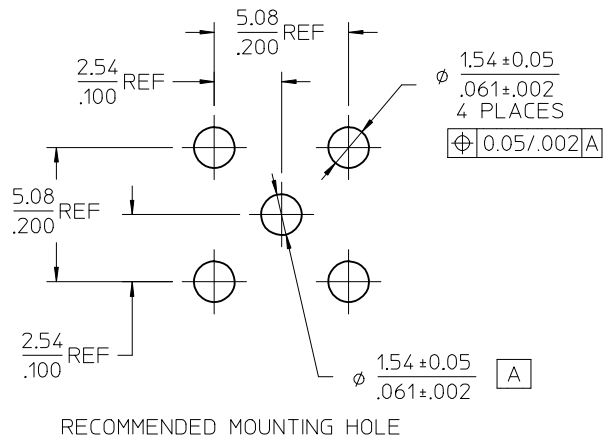
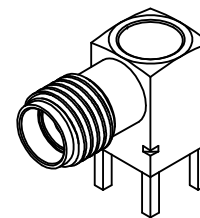
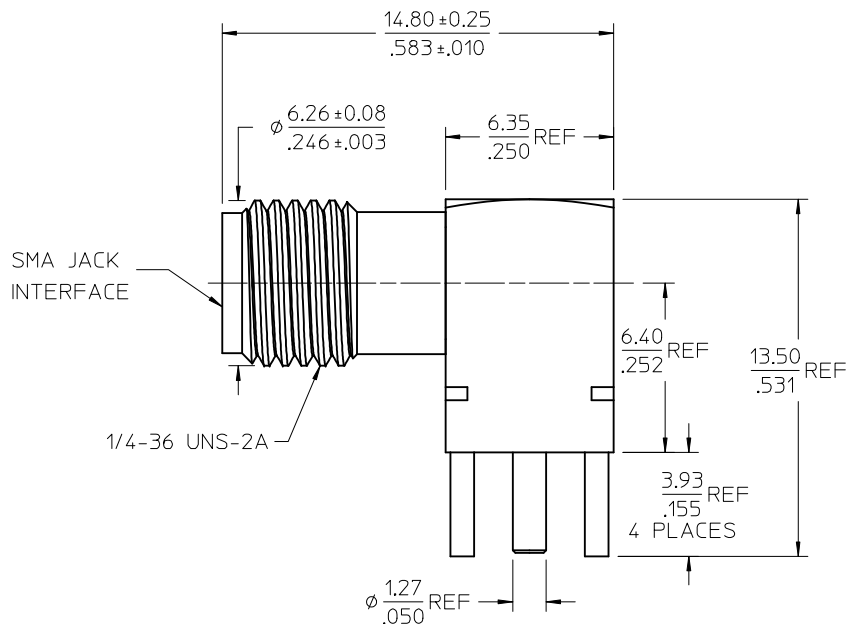
BODY BRASS  
PLATED GOLD

CENTER CONTACT BERYLLIUM COPPER  
PLATED GOLD

PCB CONTACT BRASS  
PLATED GOLD

INSULATOR TEFLON

EXCEPTION TO PRODUCT SPECIFICATION  
73598-0111: FREQUENCY RANGE: DC TO 12GHz



PS-73598-0111	PRODUCT SPECIFICATION
SPECIFICATION	DESCRIPTION

73251-3130	73100-0114, ONE PER BAG
73100-0114	TRAY
PART NO.	PACKAGING

CHG:	ADD TOLERANCES
EC NO:	URF2014-0145
DRWN:	WIENER 2013/09/10
CHKD:	SSS 2013/09/10
APPR:	WIENER 2013/09/11
REV	DESCRIPTION
3	

QUALITY SYMBOLS	GENERAL TOLERANCES (UNLESS SPECIFIED)
▽=0	
▽=0	
	ANGULAR ± 2 °
	DRAFT WHERE APPLICABLE MUST REMAIN WITHIN DIMENSIONS

DIMENSION STYLE	SCALE	DESIGN UNITS	THIRD ANGLE PROJECTION
MM/IN		METRIC	
DRAWN BY	DATE	TITLE	
THOMPSON TSN	1993/10/15	SMA JACK,R/A PCB,50 OHMS	
CHECKED BY	DATE	SMA-J/PCB	
VLID WANG	1995/09/23		
APPROVED BY	DATE		
MHUANG	2010/02/22		
MATERIAL NO.	DOCUMENT NO.		
SEE TABLE	SD-73100-0114		
SIZE			
C			

MATERIAL NO.	DOCUMENT NO.	SHEET NO.
		1 OF 1
THIS DRAWING CONTAINS INFORMATION THAT IS PROPRIETARY TO MOLEX INCORPORATED AND SHOULD NOT BE USED WITHOUT WRITTEN PERMISSION		