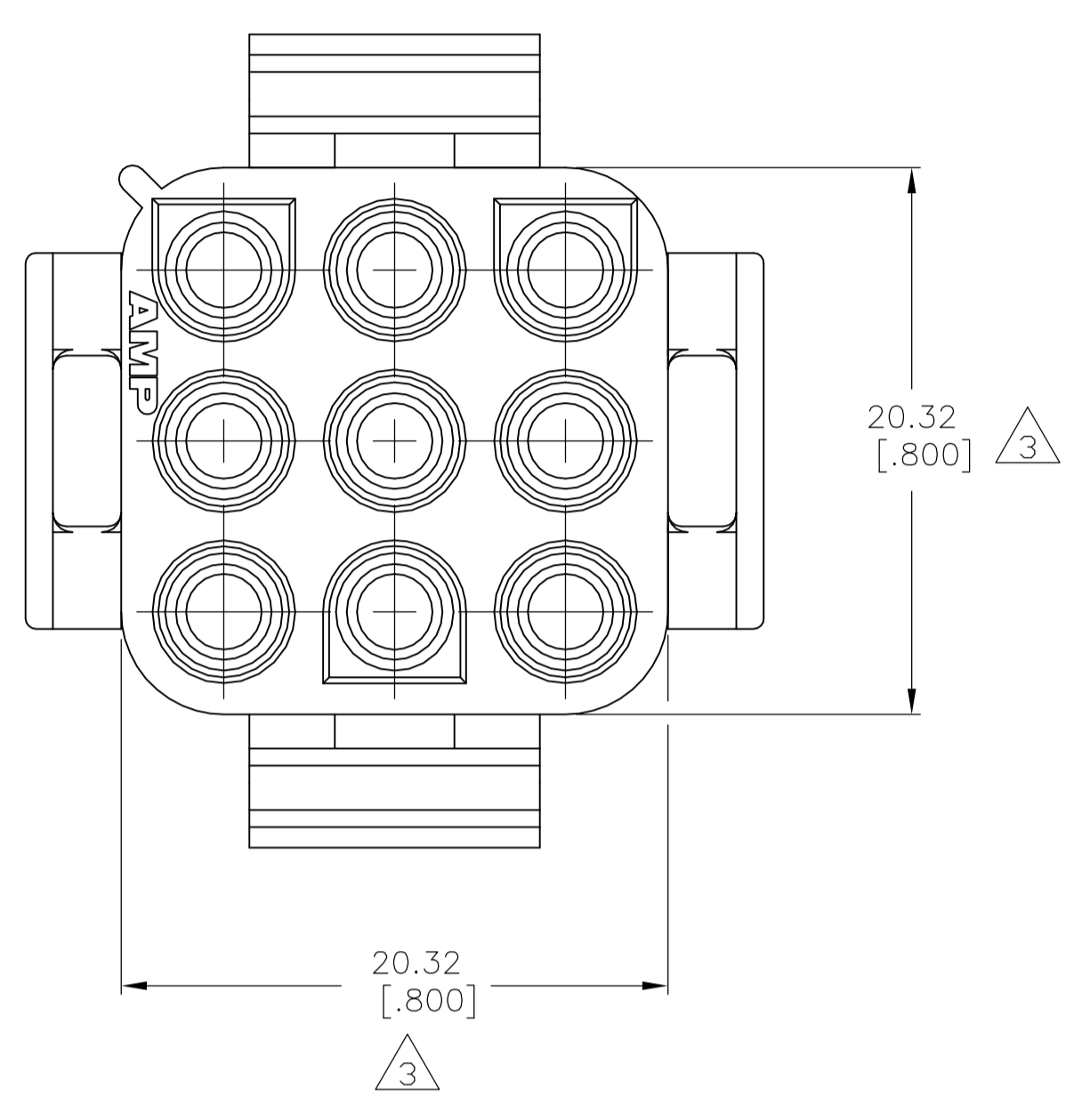
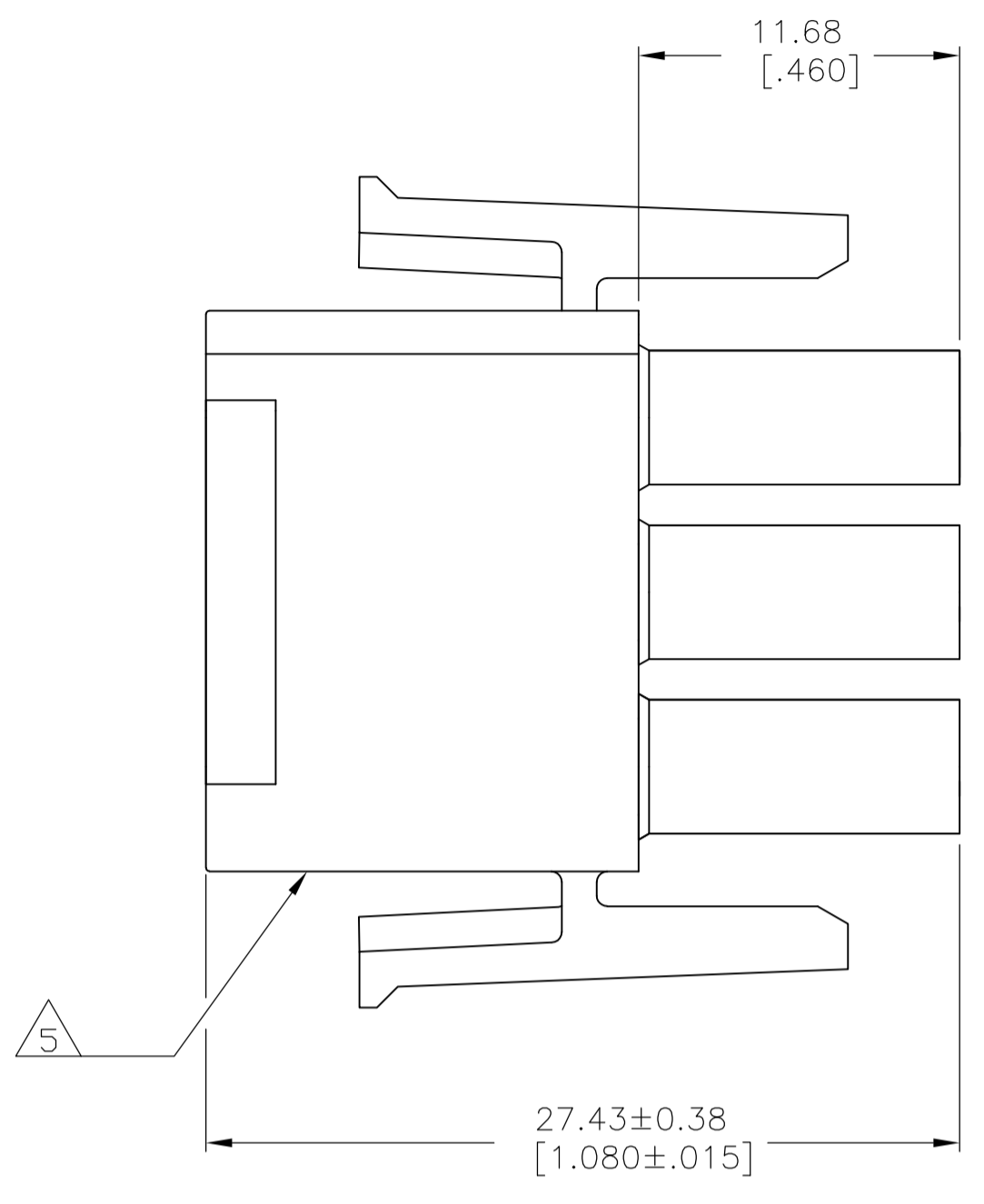
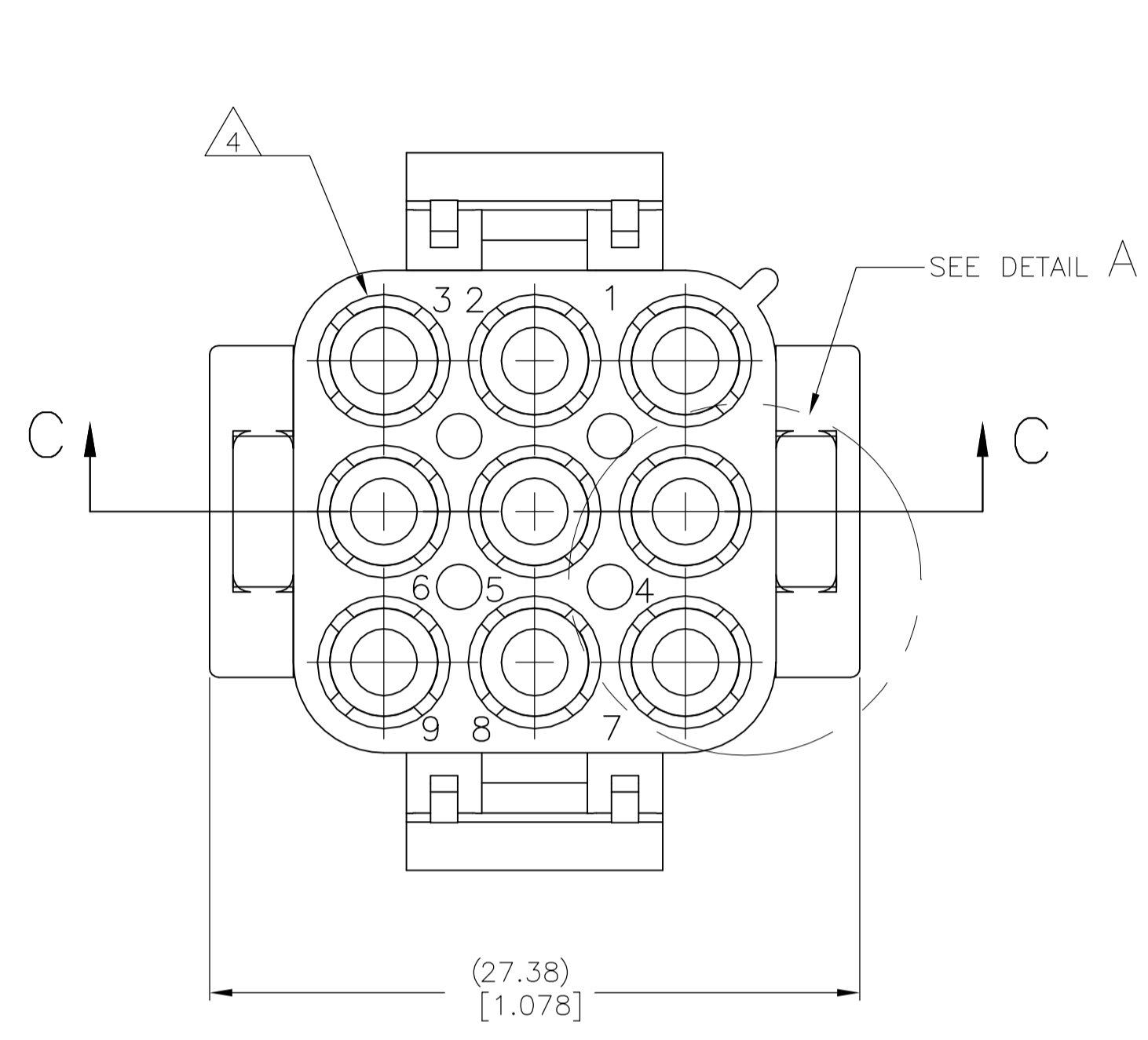
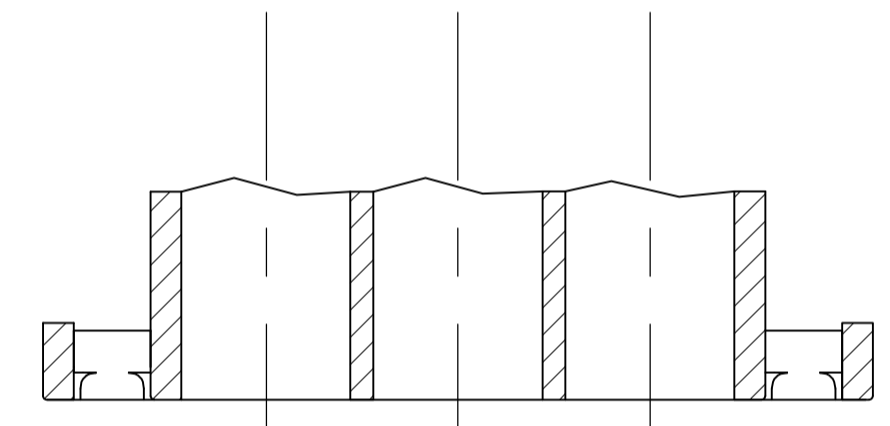


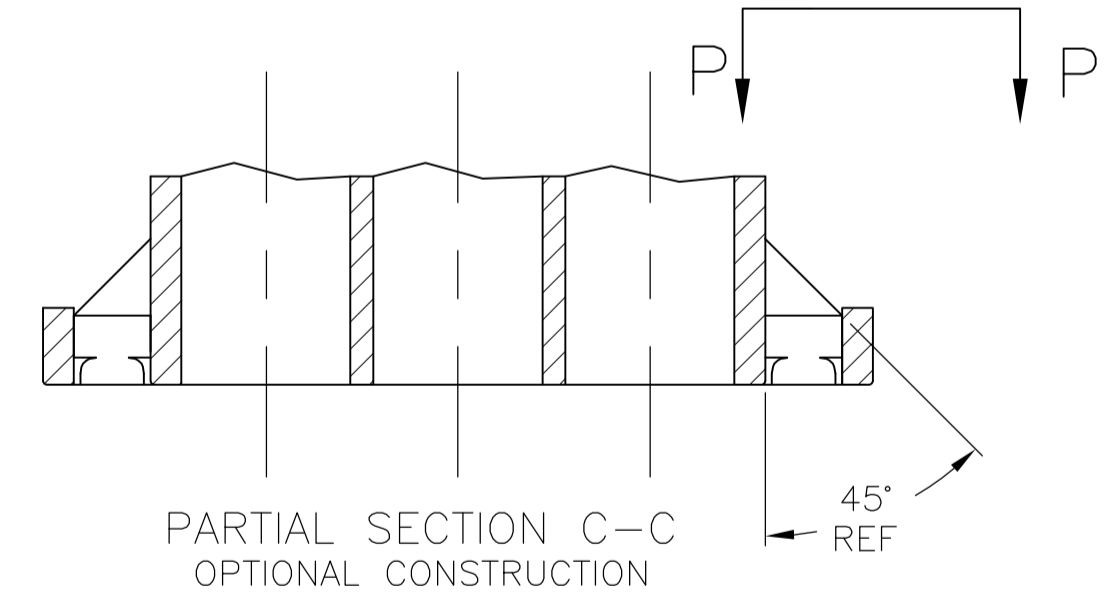
LOC		DIST		REVISIONS			
P	LTR	DESCRIPTION	DATE	DWN	APVD		
AL		REVISED PER ECO-13-000258	09JUL13	JR	TM		



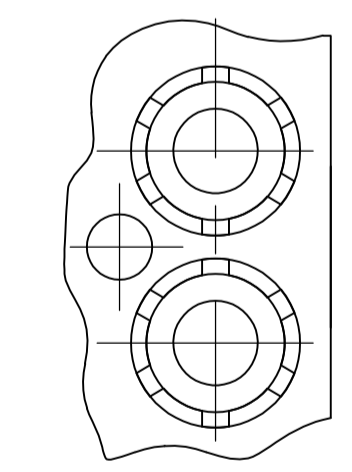
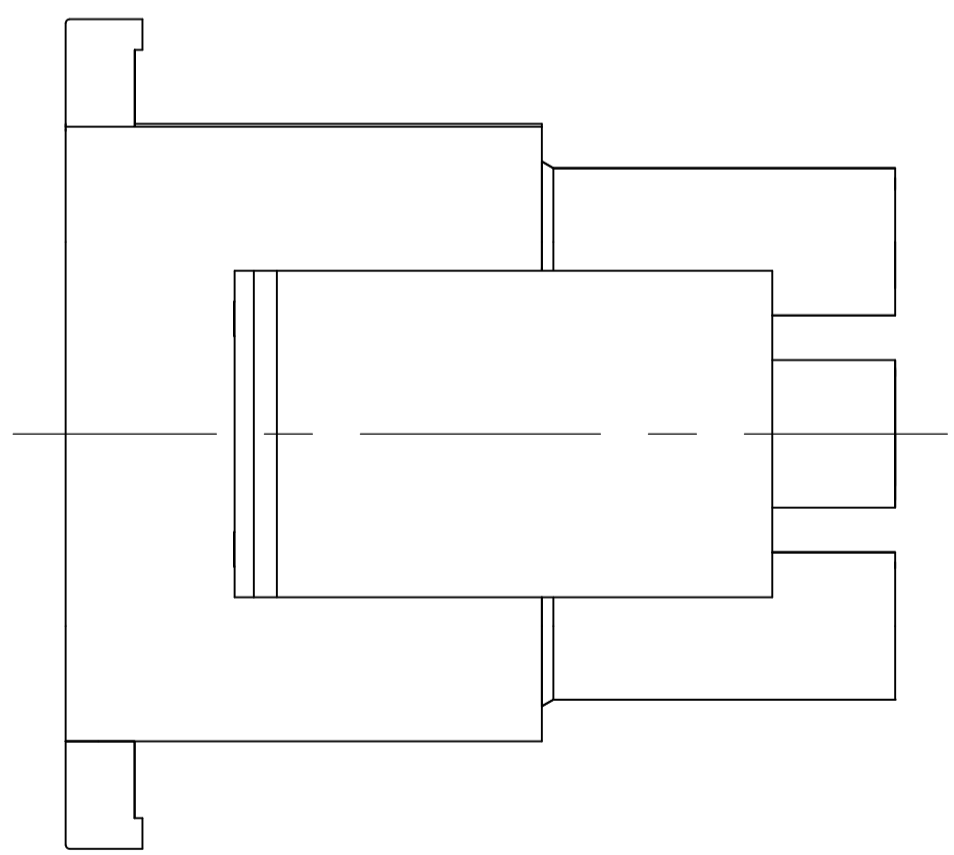
- MATES WITH APPROPRIATE UNIVERSAL MATE-N-LOK™ CAP OR HEADER.
- SMALL NICKS ARE PERMITTED ON THE CIRCUIT TOWERS WHICH COULD INCREASE THE INITIAL HOUSING MATING FORCE BY UP TO 4.4 NEWTONS [1.0 LBS]. NO INDIVIDUAL NICKED TOWER SHALL INCREASE THIS FORCE BY OVER 2.2 NEWTONS [.5 LBS].
- DIMENSION INDICATED IS AS MOLDED. ADDITIONAL GROWTH DUE TO SUBSEQUENT MOISTURE ABSORPTION MAY OCCUR.
- FOUR RIBS EQUALLY SPACED, NO SPECIFIC ORIENTATION, OR SIX RIBS EQUALLY SPACED, NO SPECIFIC ORIENTATION, OPTIONAL.
- UNDERWRITERS RECOGNIZED COMPONENT LOGO AND CSA CERTIFICATION LOGO TO BE LOCATED ONCE EACH ON SIDE OF HOUSING.
- OBSOLETE PARTS: OBSOLETE CIS STREAMLINING PER D.RENAUD/D.SINISI



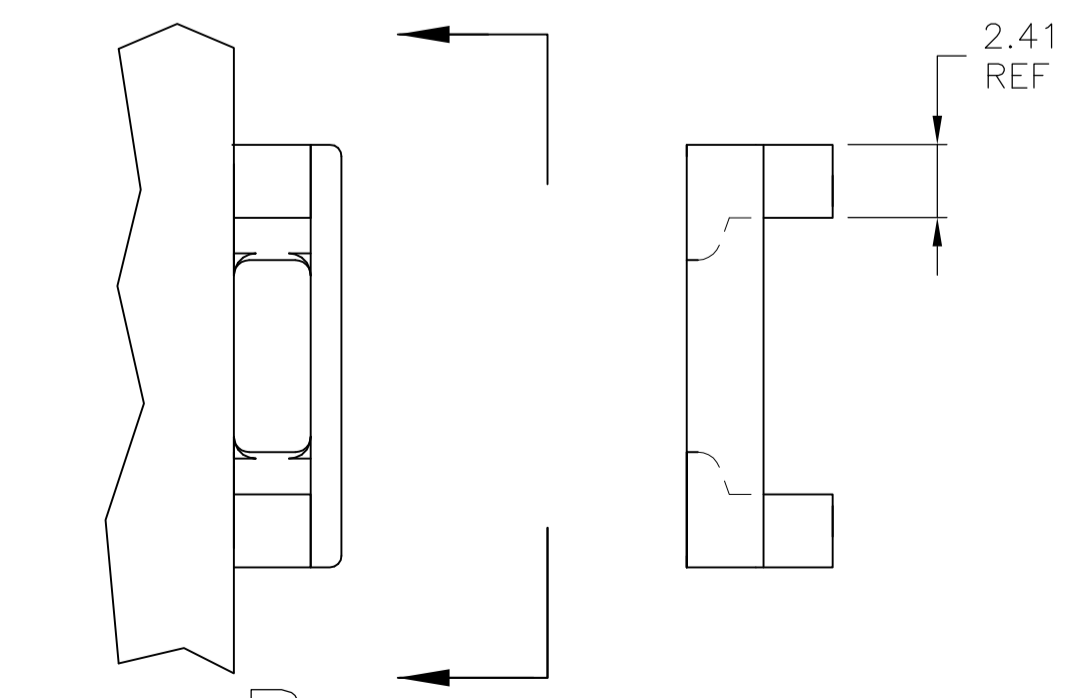
PARTIAL SECTION C-C



PARTIAL SECTION C-C  
OPTIONAL CONSTRUCTION



PARTIAL DETAIL A  
OPTIONAL CONSTRUCTIONS



VIEW P  
OPTIONAL CONSTRUCTIONS

OBSCOLETE	COLOR	PART NO.
<del>1-480706-0</del>	BLACK	1-480706-9
<del>1-480706-1</del>	GRAY	1-480706-8
<del>1-480706-2</del>	BLUE	1-480706-6
<del>1-480706-3</del>	GREEN	1-480706-5
<del>1-480706-4</del>	YELLOW	1-480706-4
<del>1-480706-5</del>	ORANGE	1-480706-3
<del>1-480706-6</del>	RED	1-480706-2
<del>1-480706-7</del>	BROWN	1-480706-1
<del>1-480706-8</del>	NATURAL	1-480706-0
<del>1-480706-9</del>		

THIS DRAWING IS A CONTROLLED DOCUMENT.

DIMENSIONS:	TOLERANCES UNLESS OTHERWISE SPECIFIED:	DIN	K. WHITAKER	01SEP04
mm [INCHES]	0. PLC ± -	CHK	S. RIDGILL	01SEP04
	1. PLC ± -	APVD	S. RIDGILL	01SEP04
	2. PLC ± 0.13 [.005]	NAME	PLUG, 9 CIRCUIT, UNIVERSAL MATE-N-LOK™	
	3. PLC ± -	PRODUCT SPEC		
	4. PLC ± -	APPLICATION SPEC		
	ANGLES ± 0.30°	SIZE	CAGE CODE	DRAWING NO
MATERIAL	FINISH	WEIGHT	A1	00779
NYLON, UL94V-2	-	CUSTOMER DRAWING	SCALE	4:1

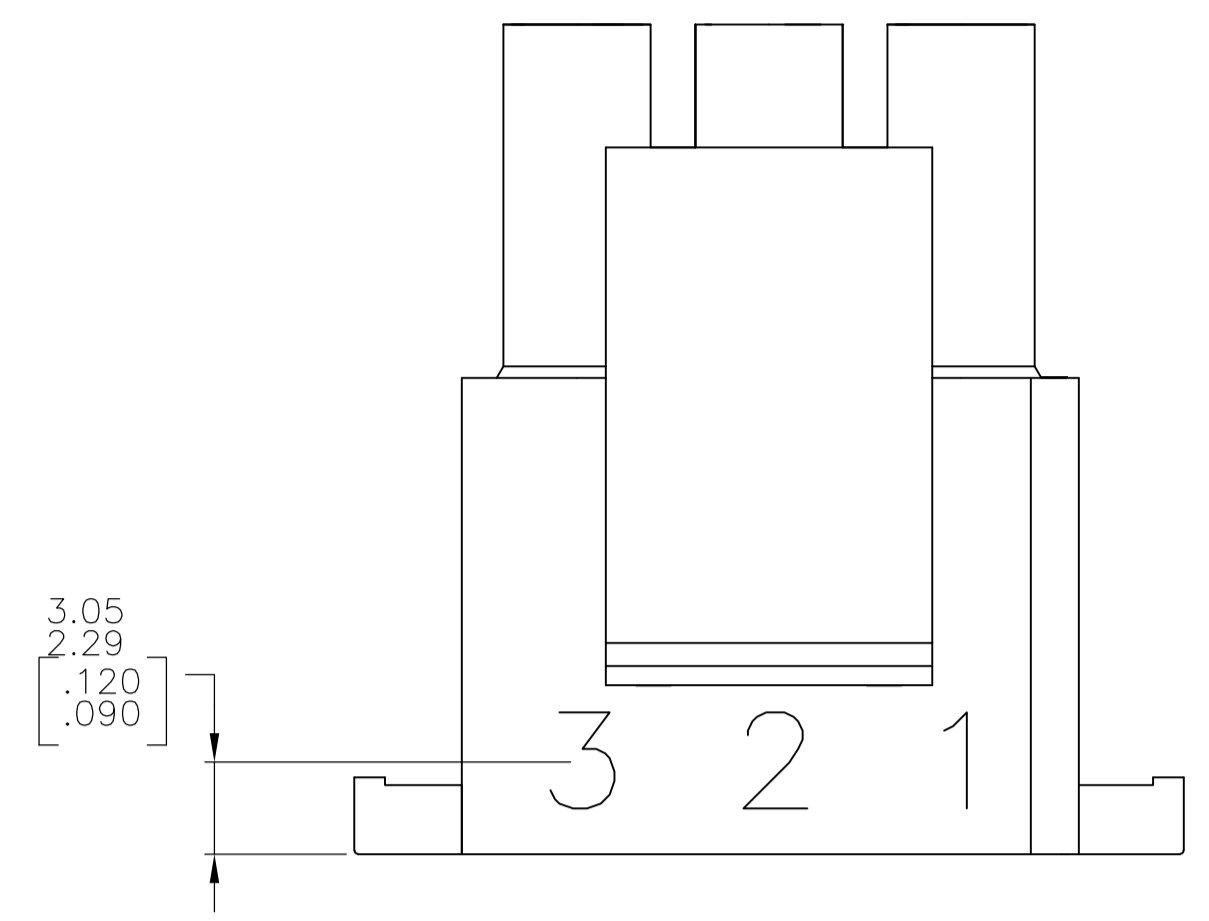
**METRIC**

STE TE Connectivity

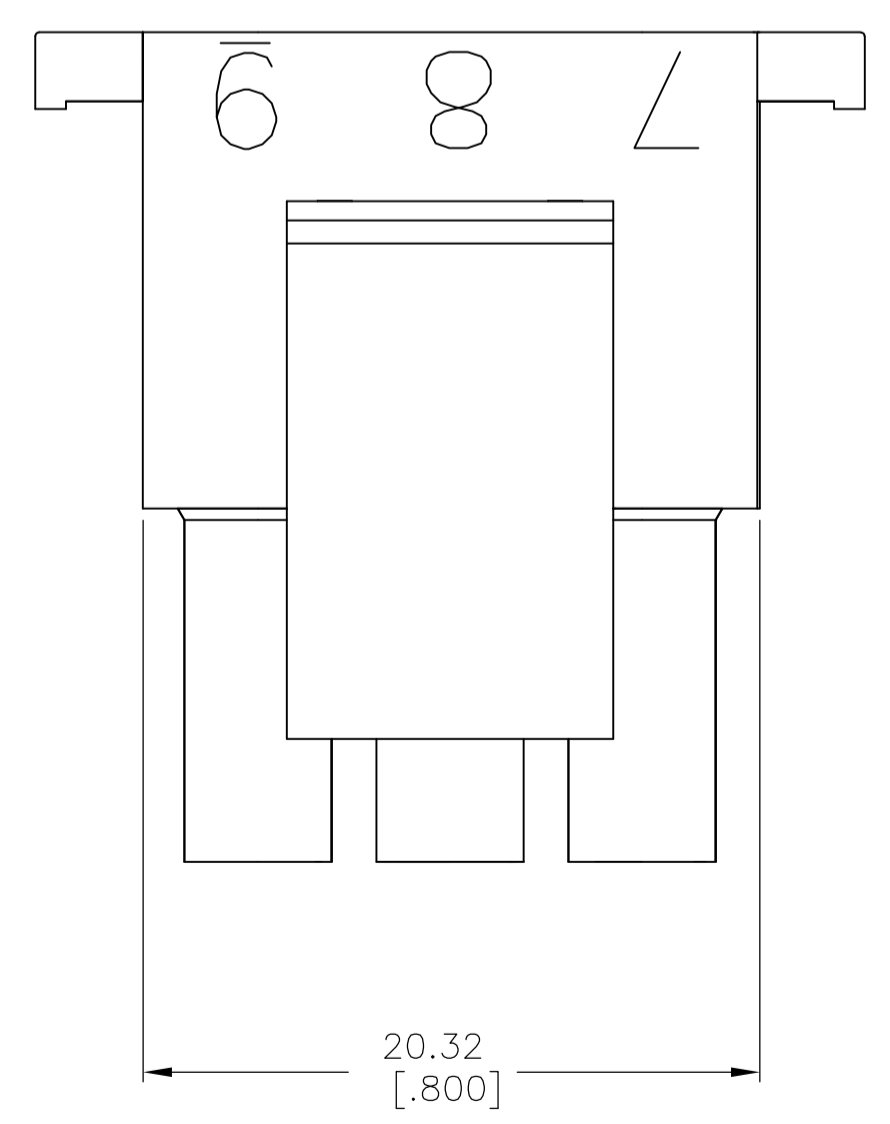
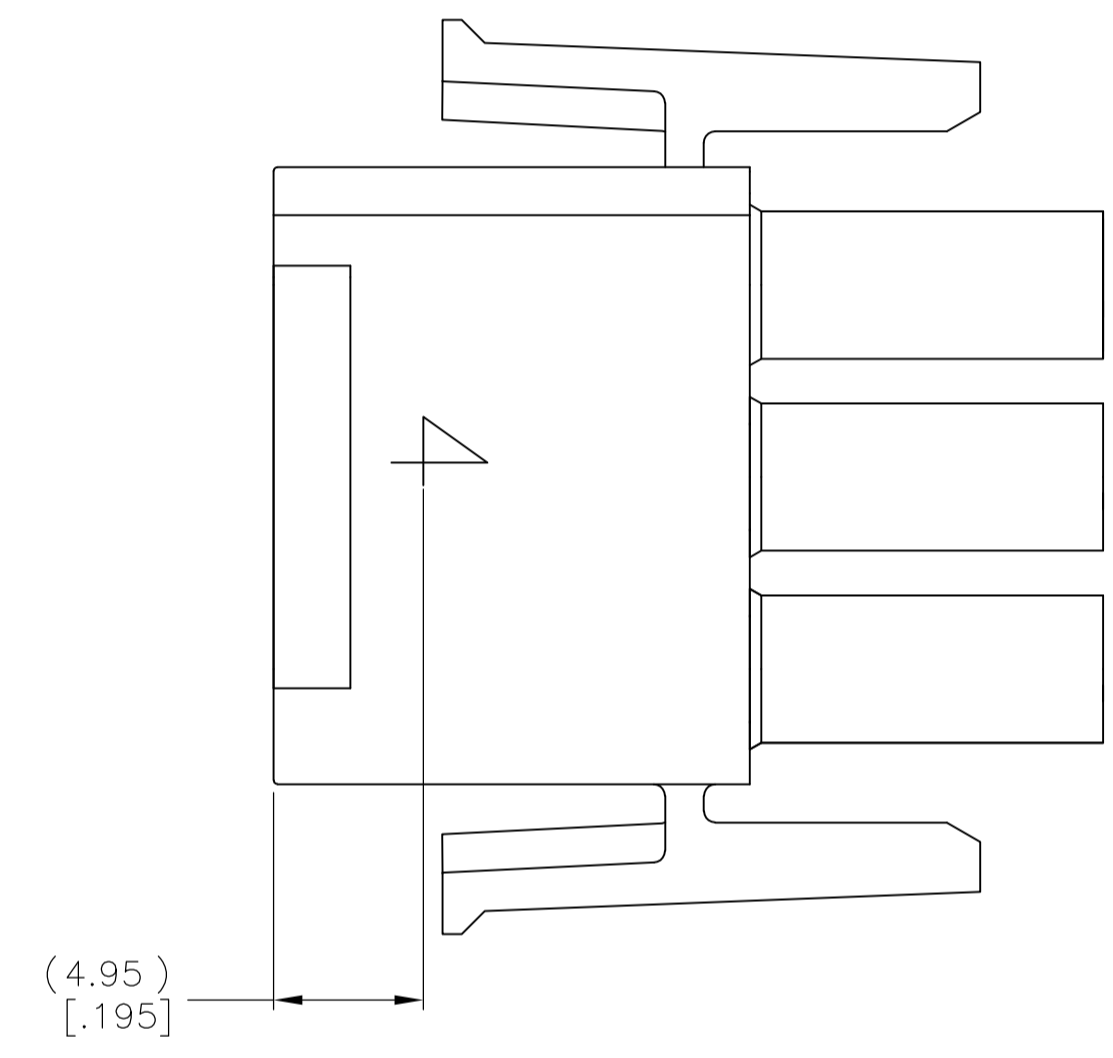
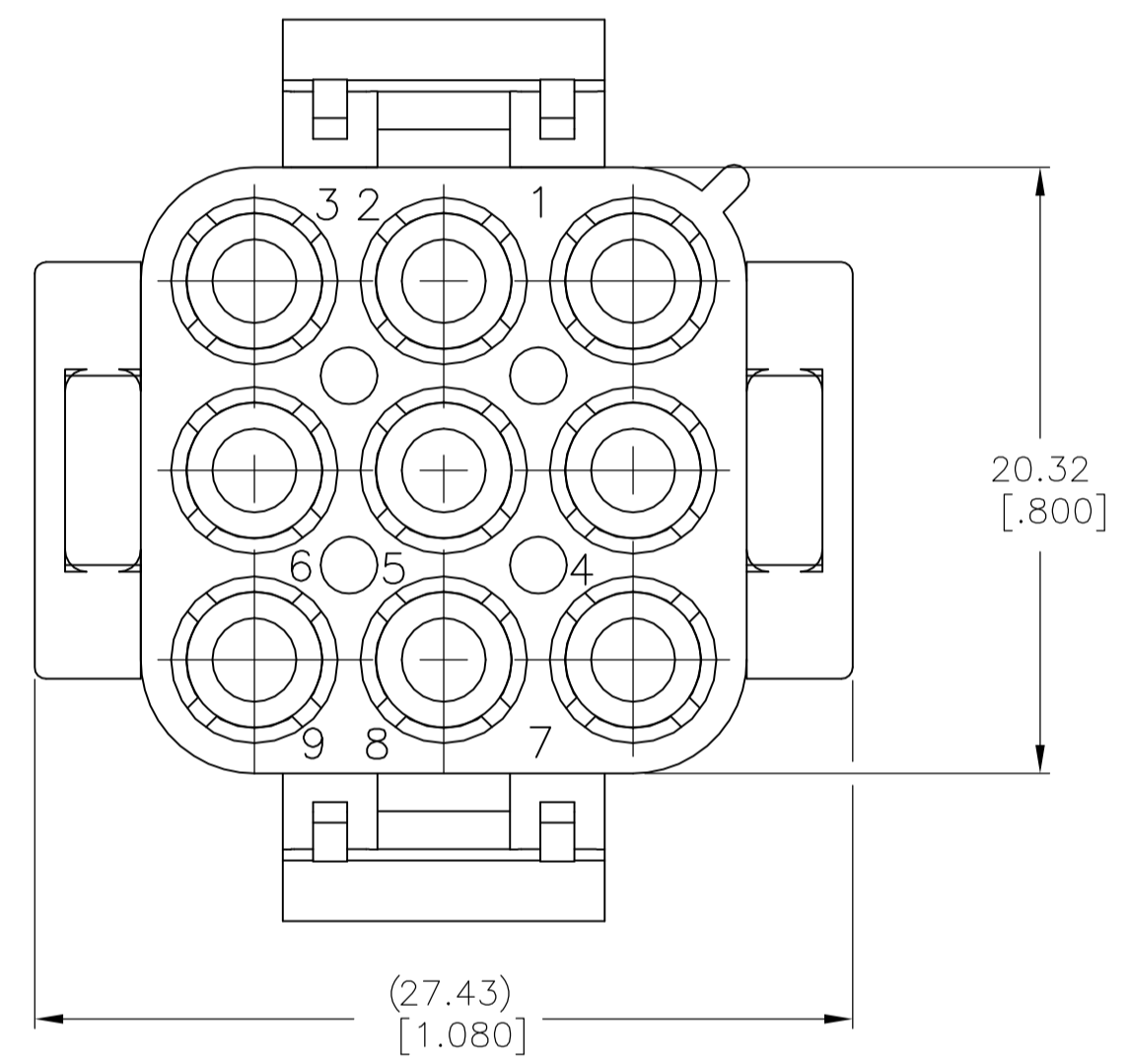
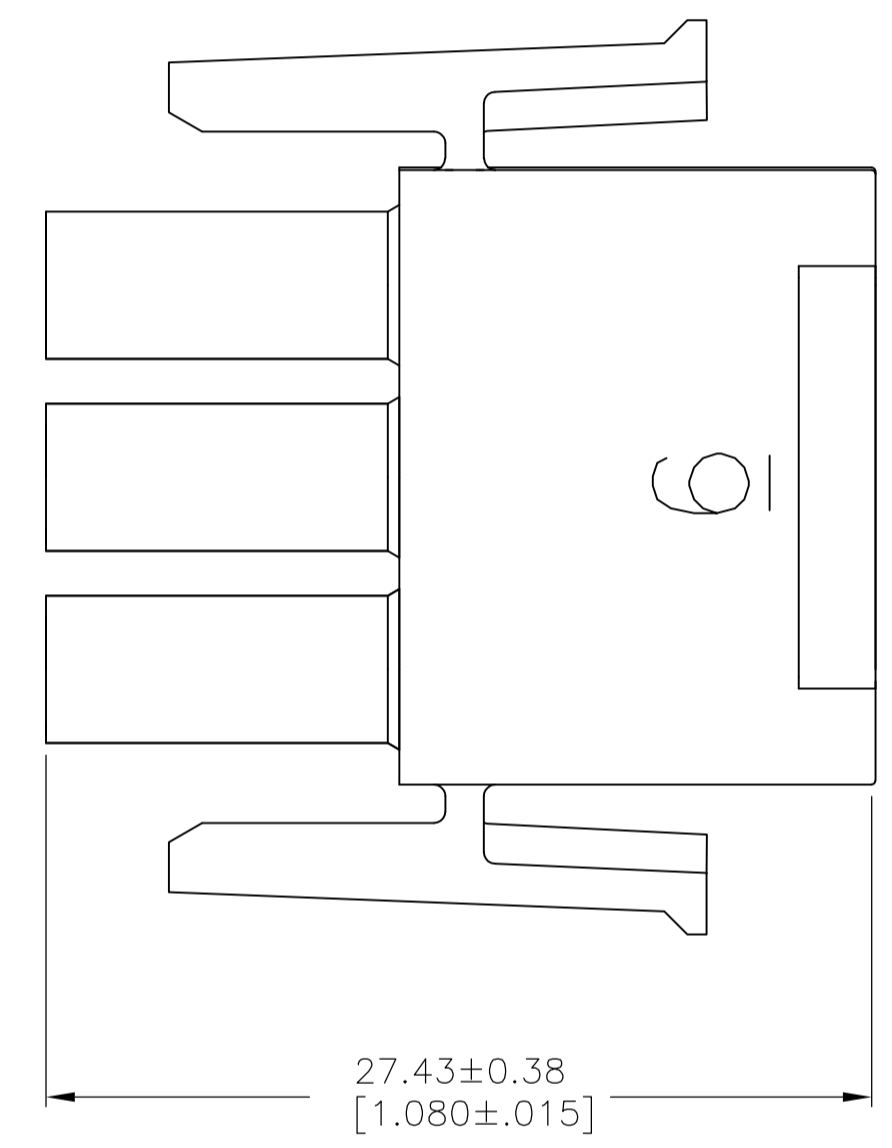
RESTRICTED TO

SHEET 1 OF 2

LOC		DIST		REVISIONS			
P	LTR	DESCRIPTION	DATE	DN	APVD		
CM	00	SEE SHEET 1	-	-	-	-	-



1. STAMP NUMBERS 3.18 [.125] HIGH AT WIRE END OF HOUSING (12 POINT DAVID TYPE).
2. CHARACTERS TO BE POSITIONED ON HOUSING TO BE READ FROM WIRE END ONLY.
3. VIOLET, BLACK, BROWN, AND BLUE COLORED BLOCKS TO BE STAMPED WITH WHITE CHARACTERS. ALL OTHER COLORED BLOCKS TO BE STAMPED WITH BLACK CHARACTERS.



NATURAL COLOR	2-480706-0 PART NUMBER
---------------	------------------------

THIS DRAWING IS A CONTROLLED DOCUMENT.		DIN K. WHITAKER 01SEP2004		TE Connectivity	
DIMENSIONS: mm [INCHES]		TOLERANCES UNLESS OTHERWISE SPECIFIED:		NAME	
0 PLC ± -		1 PLC ± -		PLUG, 9 CIRCUIT, UNIVERSAL MATE-N-LOK	
1 PLC ± -		2 PLC ± 0.13 [.005]		SIZE CAGE CODE DRAWING NO	
2 PLC ± -		3 PLC ± -		A1 00779 C=480706	
3 PLC ± -		4 PLC ± -		RESTRICTED TO	
4 PLC ± -		ANGLES ± 0.30°		CUSTOMER DRAWING	
MATERIAL -		FINISH -		SCALE 4:1 SHEET 2 OF 2 REV AL	

